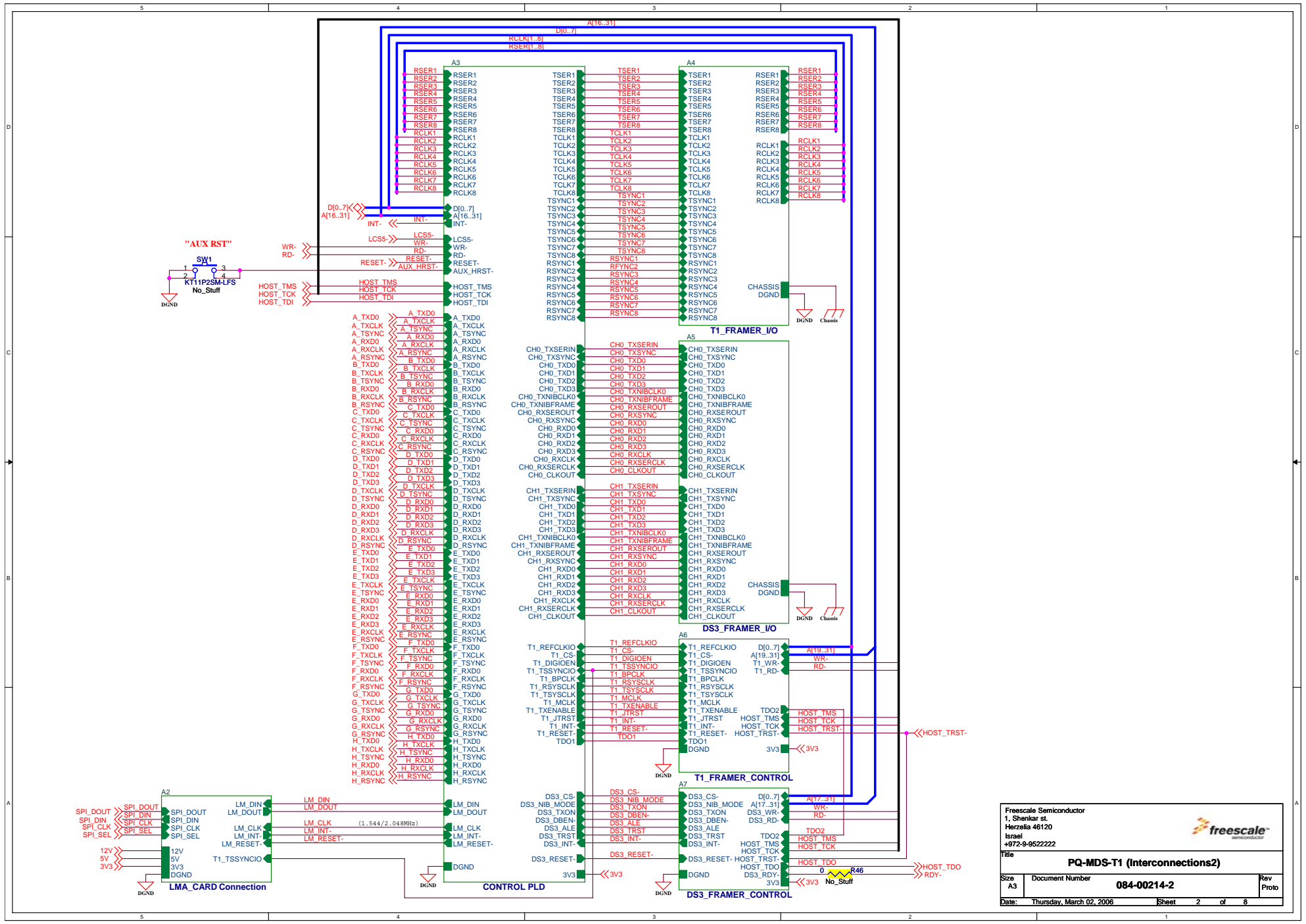


Optional (Not populated) components

Freescale Semiconductor 1, Shenkar st. Herzliya 46120 Israel +972-9-9522222				
Title PQ-MDS-T1 (Interconnections1)				
Size A3	Document Number 084-00214-2	Rev Proto		
Date: Sunday, March 05, 2006	Sheet 1	of 8		

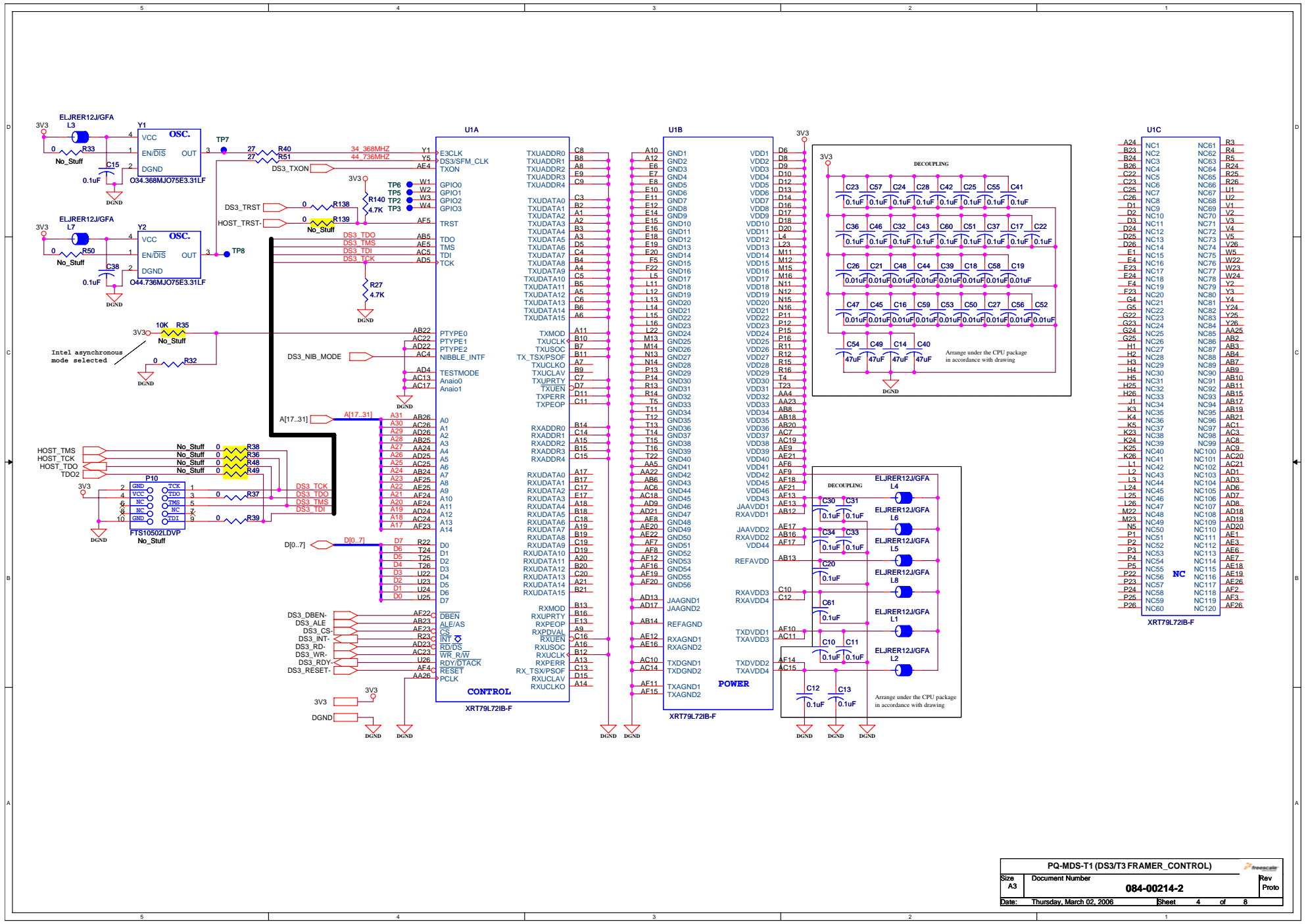


Freescale Semiconductor
 1, Shenkar st.
 Herzliya 46120
 Israel
 +972-9-9522222

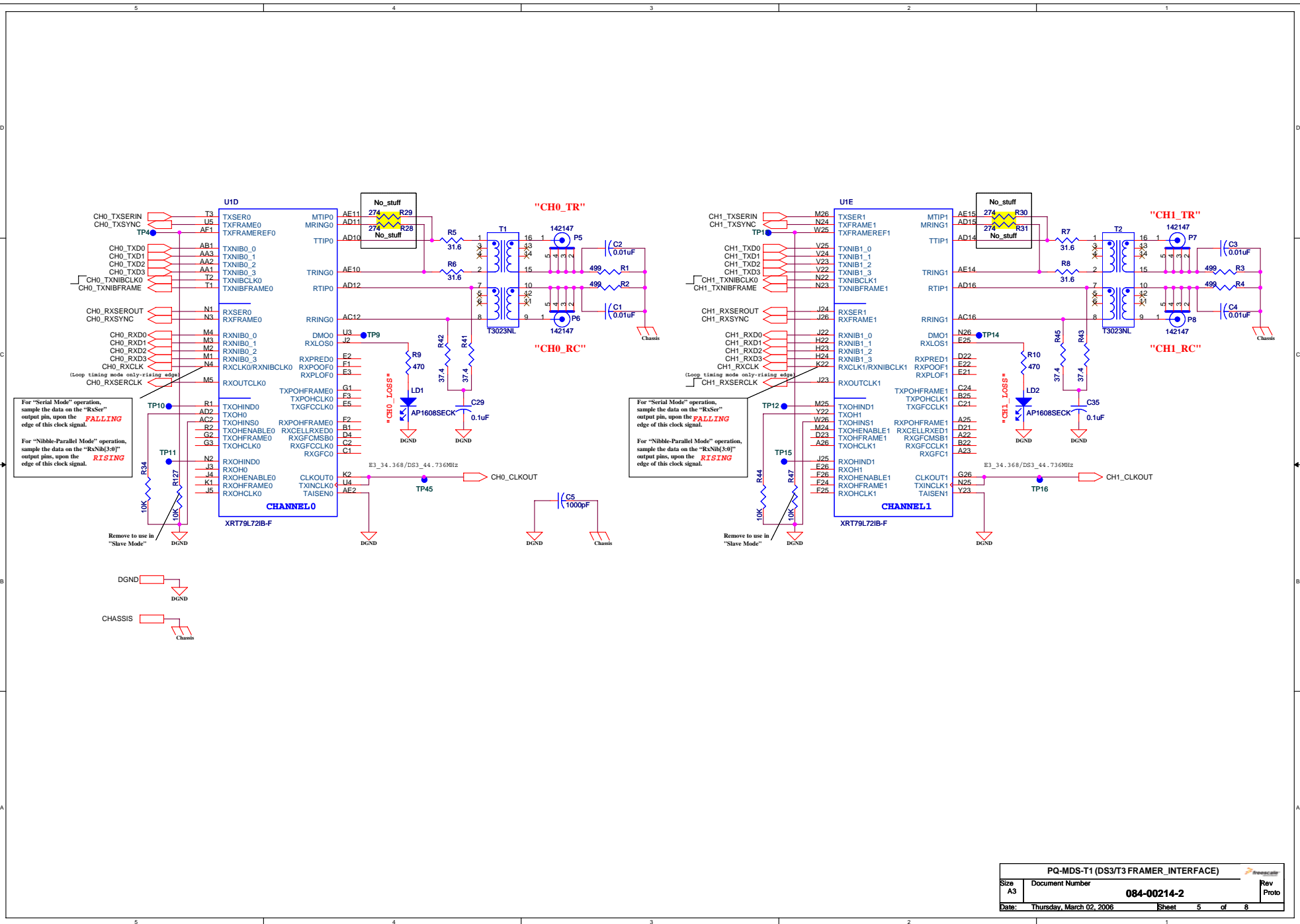
Title
PQ-MDS-T1 (Interconnections2)

Size	Document Number	Rev
A3	084-00214-2	Proto

Date: Thursday, March 02, 2006 Sheet 2 of 8



PQ-MDS-T1 (DS3/T3 FRAMER_CONTROL)			
Size A3	Document Number	084-00214-2	Rev Proto
Date: Thursday, March 02, 2006	Sheet	4	of 8



For "Serial Mode" operation, sample the data on the "RSer" output pin, upon the **FALLING** edge of this clock signal.

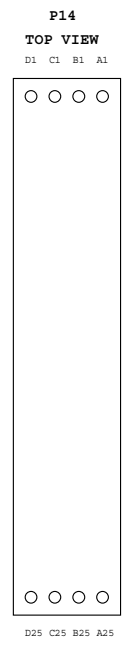
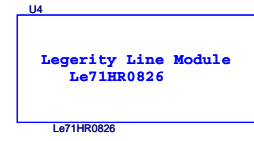
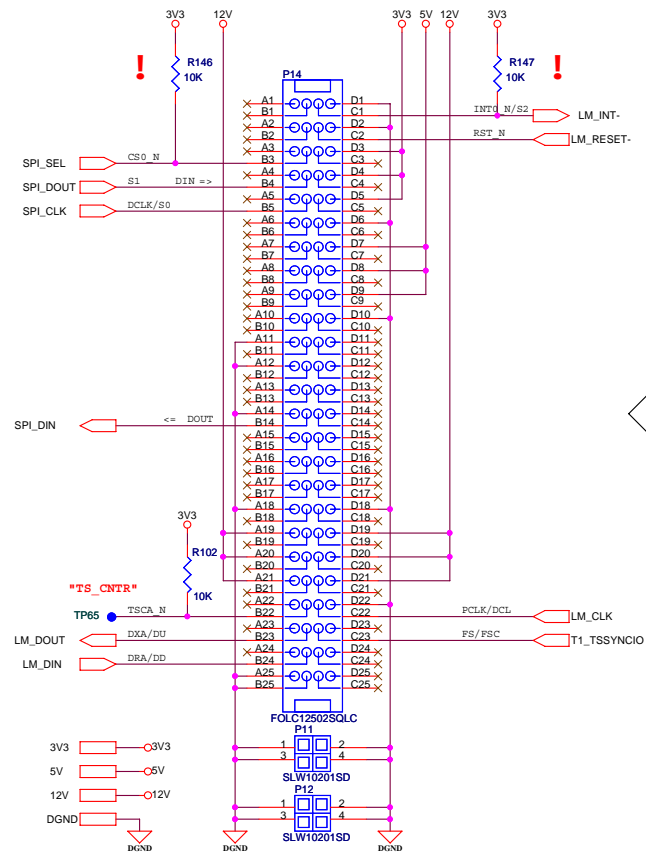
For "Nibble-Parallel Mode" operation, sample the data on the "RNib[3:0]" output pins, upon the **RISING** edge of this clock signal.

For "Serial Mode" operation, sample the data on the "RSer" output pin, upon the **FALLING** edge of this clock signal.

For "Nibble-Parallel Mode" operation, sample the data on the "RNib[3:0]" output pins, upon the **RISING** edge of this clock signal.

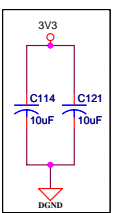
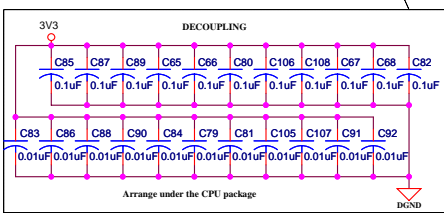
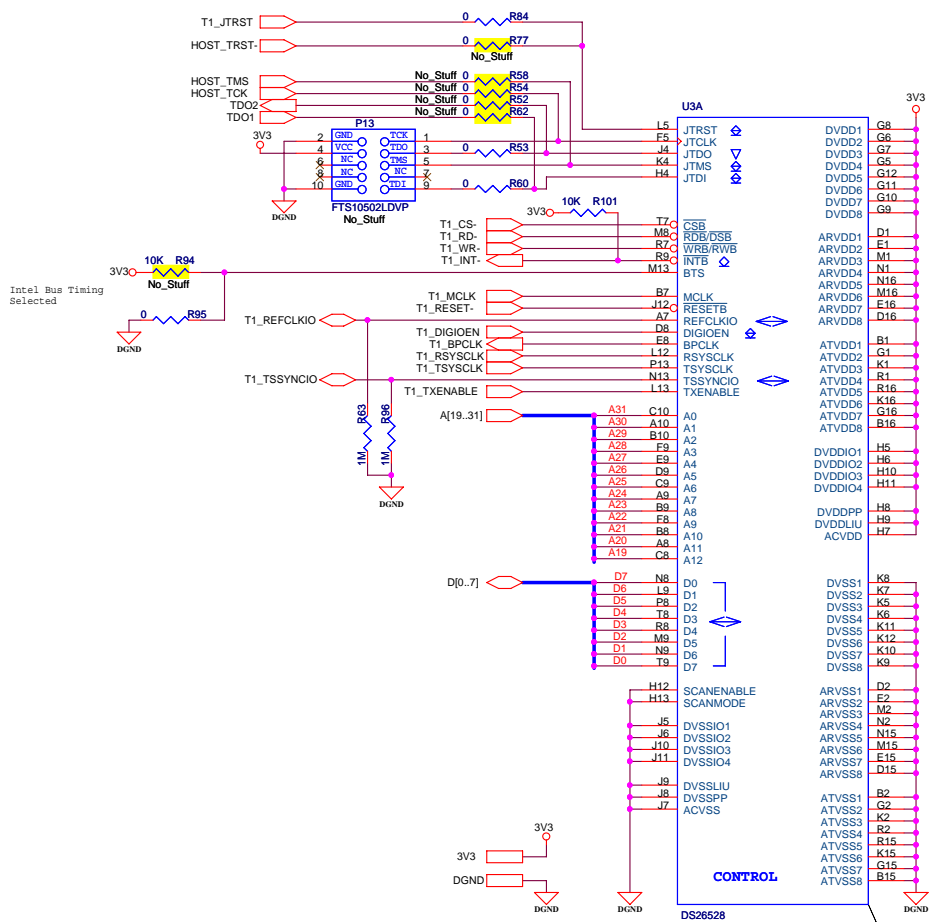
PQ-MDS-T1 (DS3/T3 FRAMER INTERFACE)			
Size A3	Document Number	084-00214-2	
Date: Thursday, March 02, 2006	Sheet	5	of 8

Standard Legerity UVB Connector



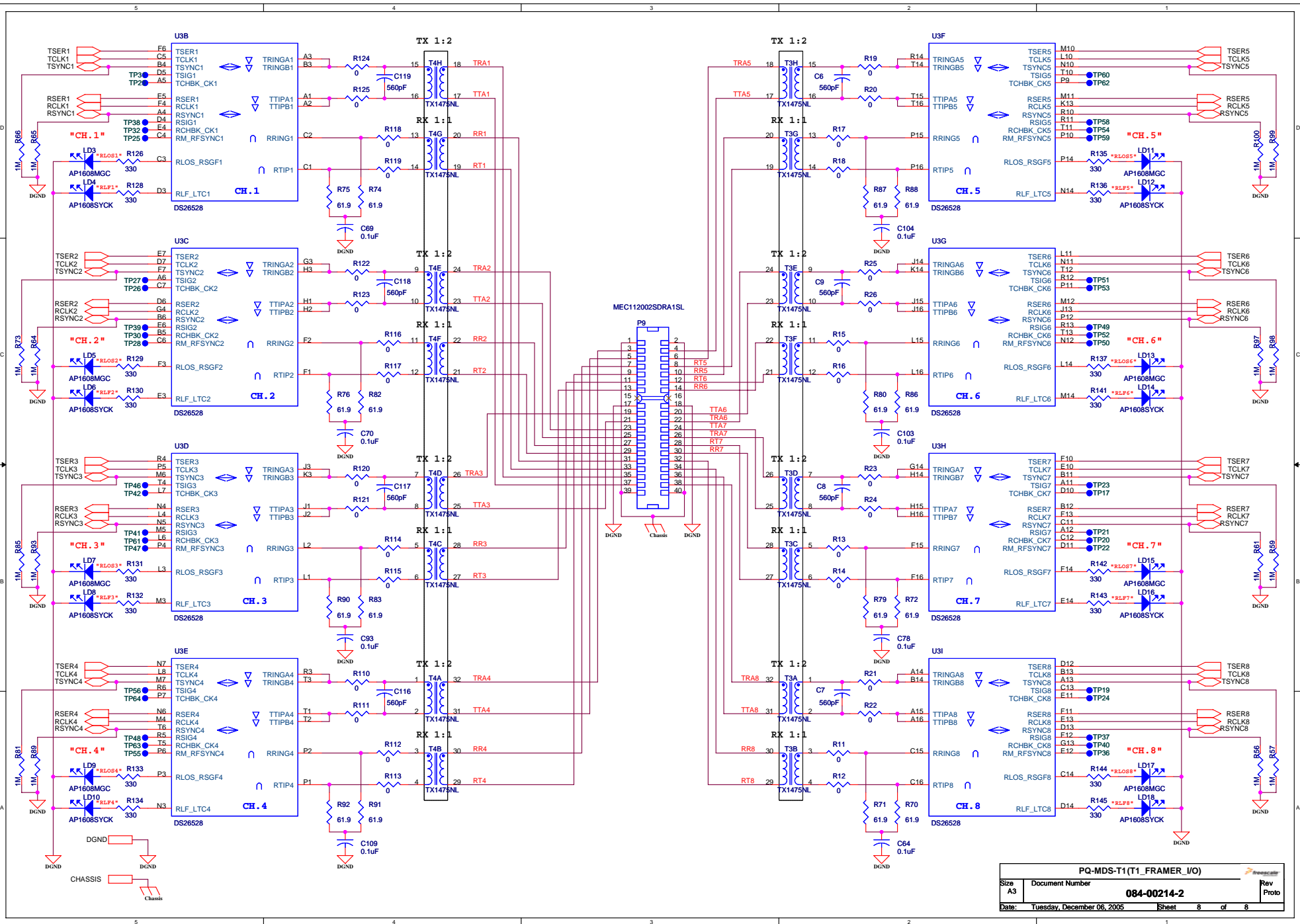


5 4 3 2 1



PQ-MDS-T1(T1_FRAMER_CONTROL)			
Size A3	Document Number 084-00214-2	Rev Proto	
Date: Thursday, March 02, 2006	Sheet 7 of 8		

5 4 3 2 1



PQ-MDS-T1 (T1_FRAMER_I/O)			
Size A3	Document Number 084-00214-2	Rev Proto	
Date: Tuesday, December 06, 2005	Sheet 8 of 8		