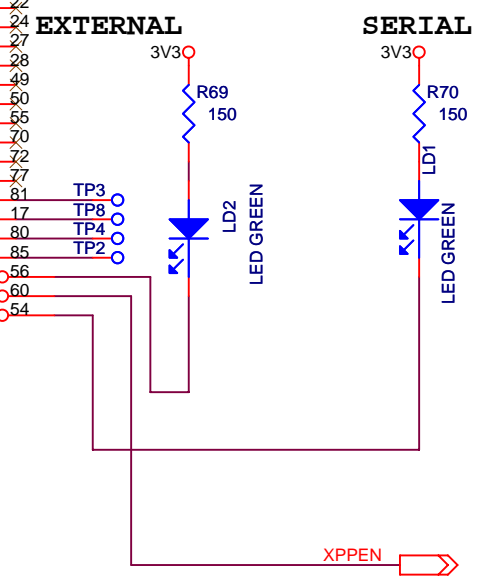
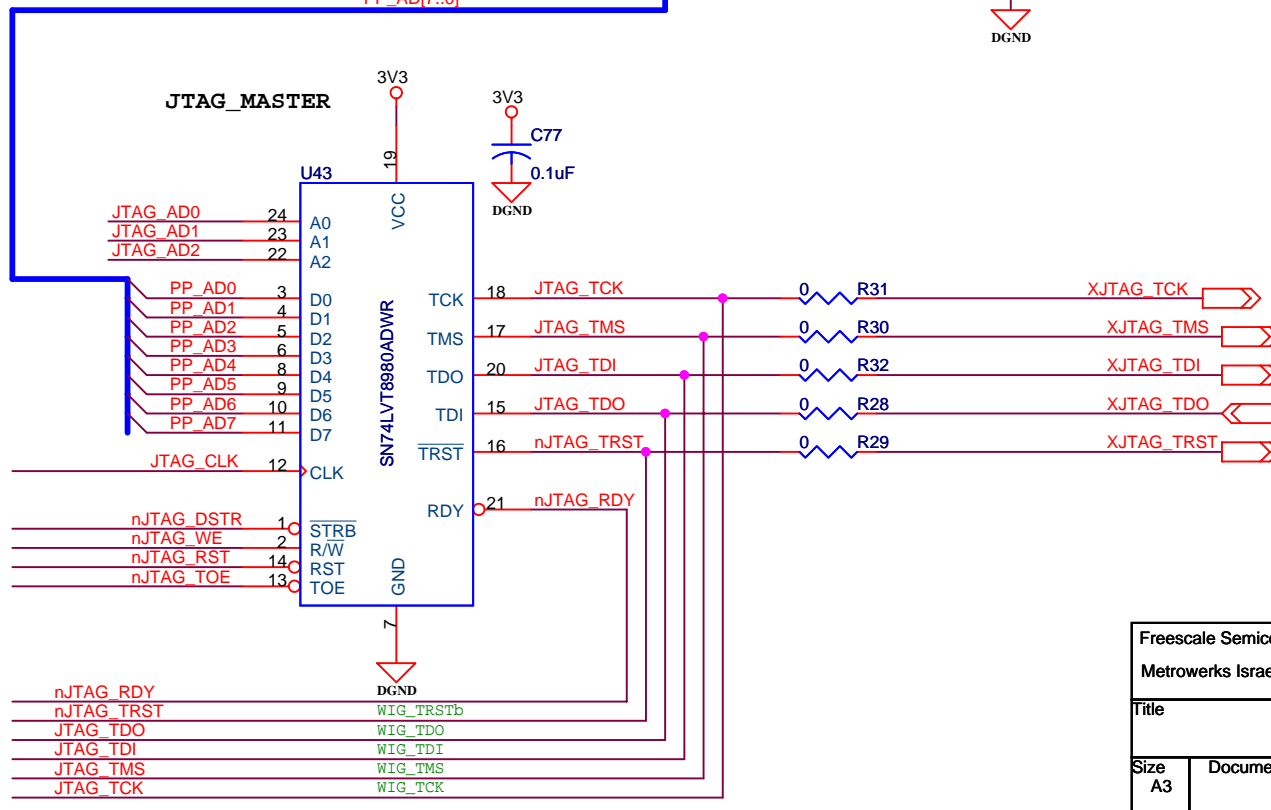
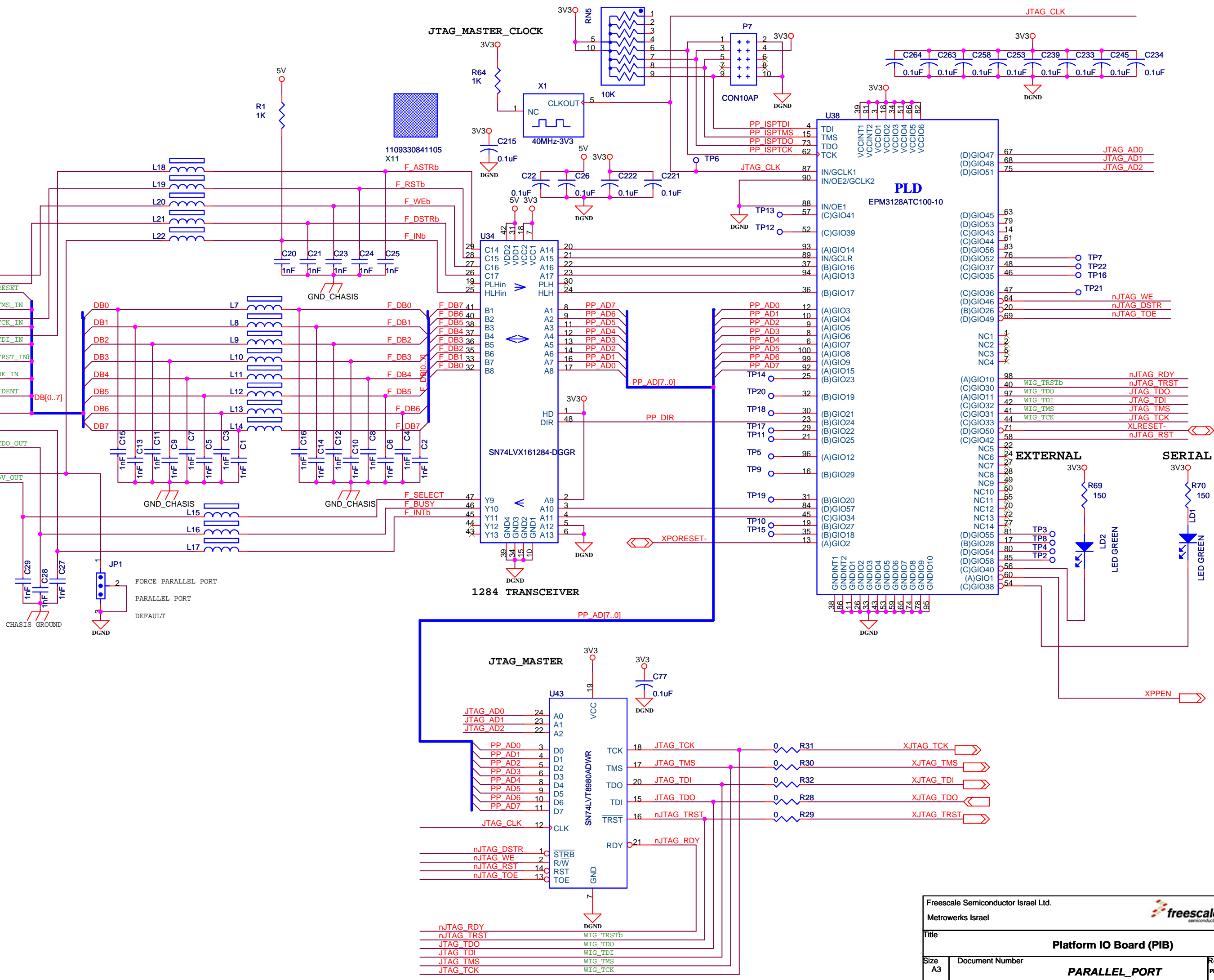
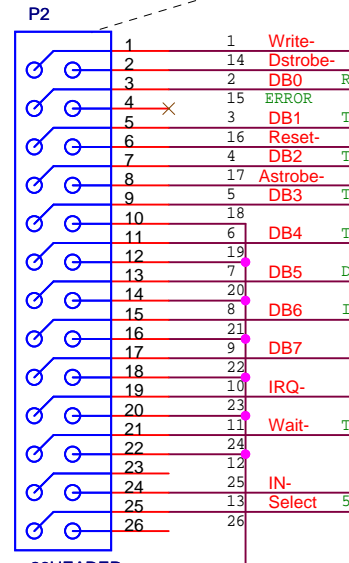
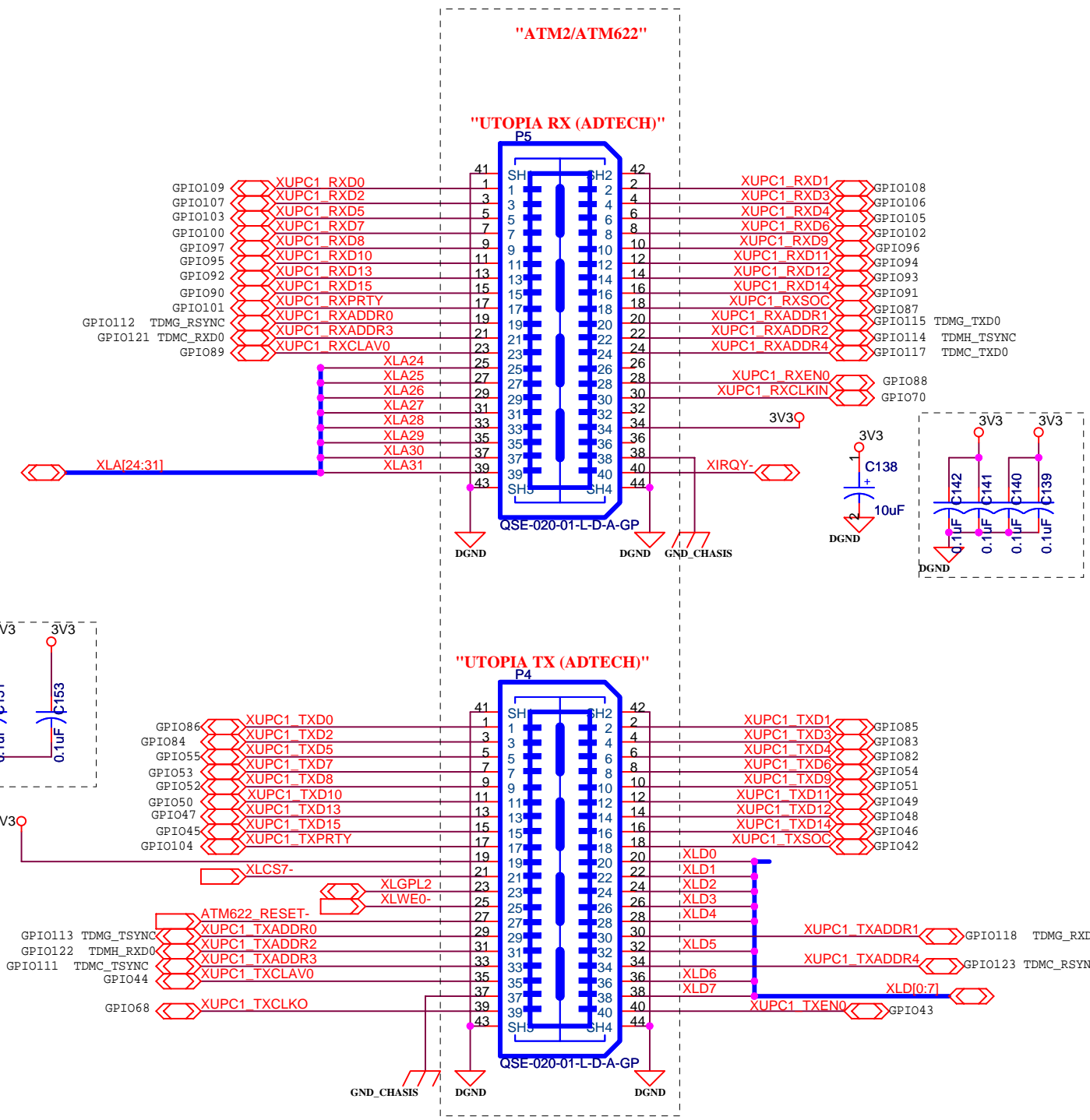
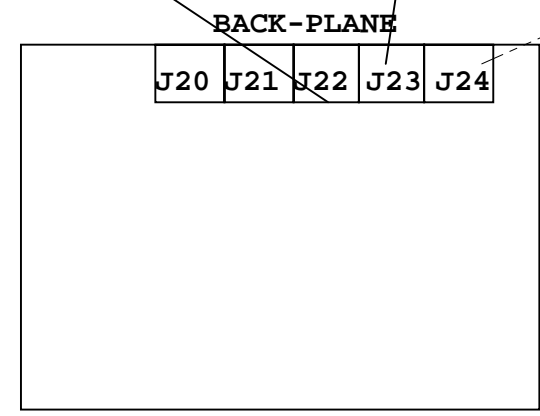
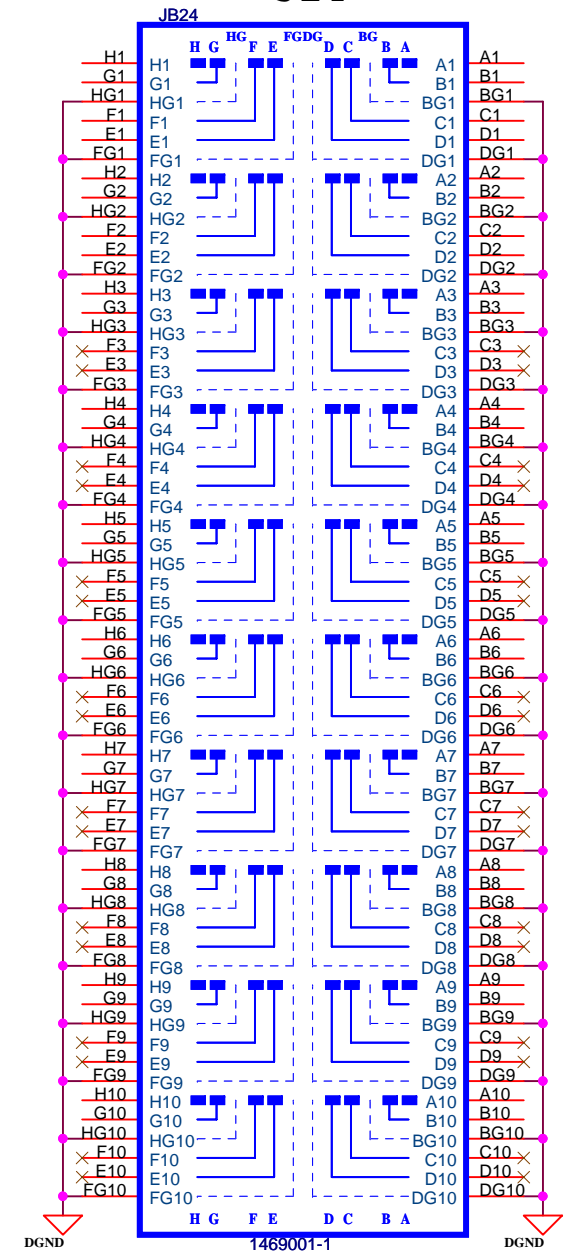
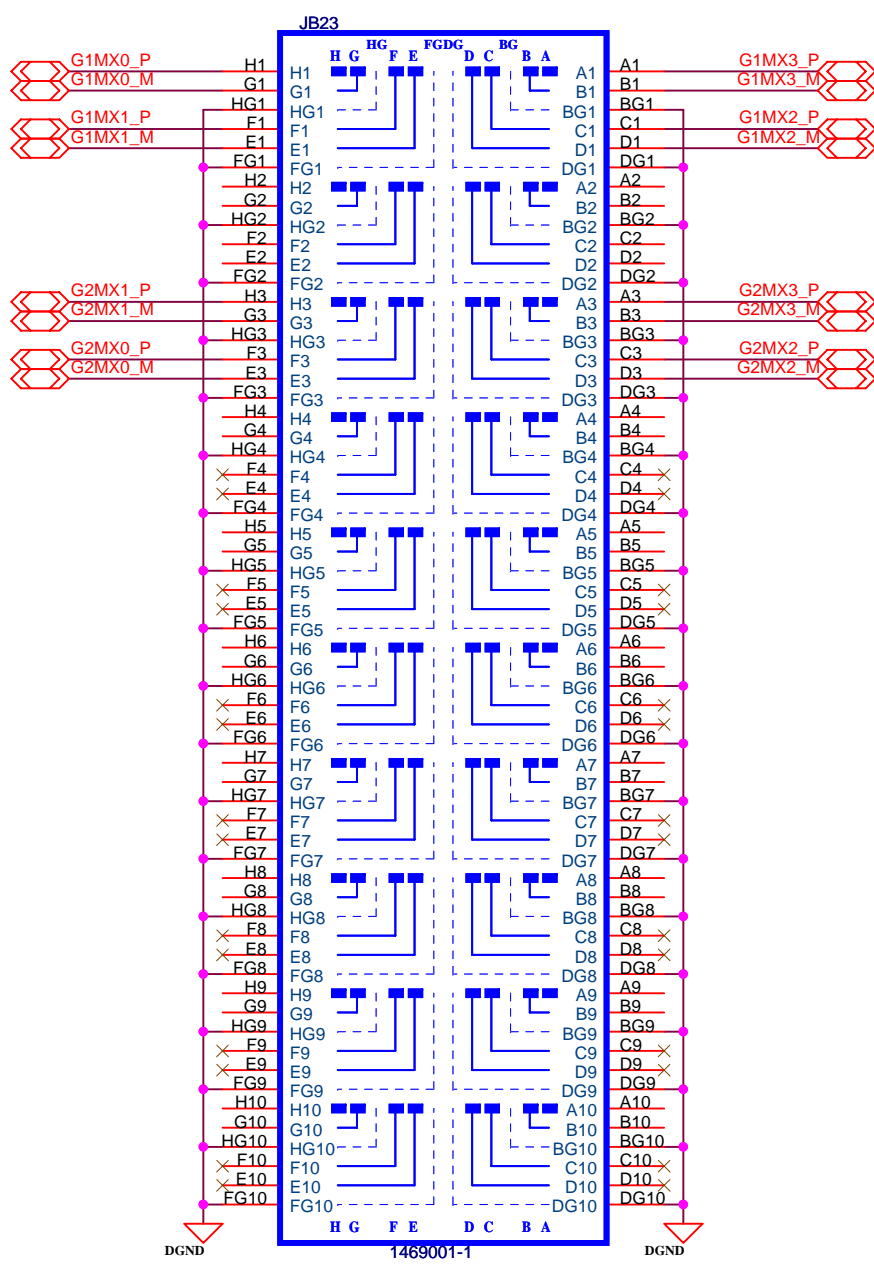
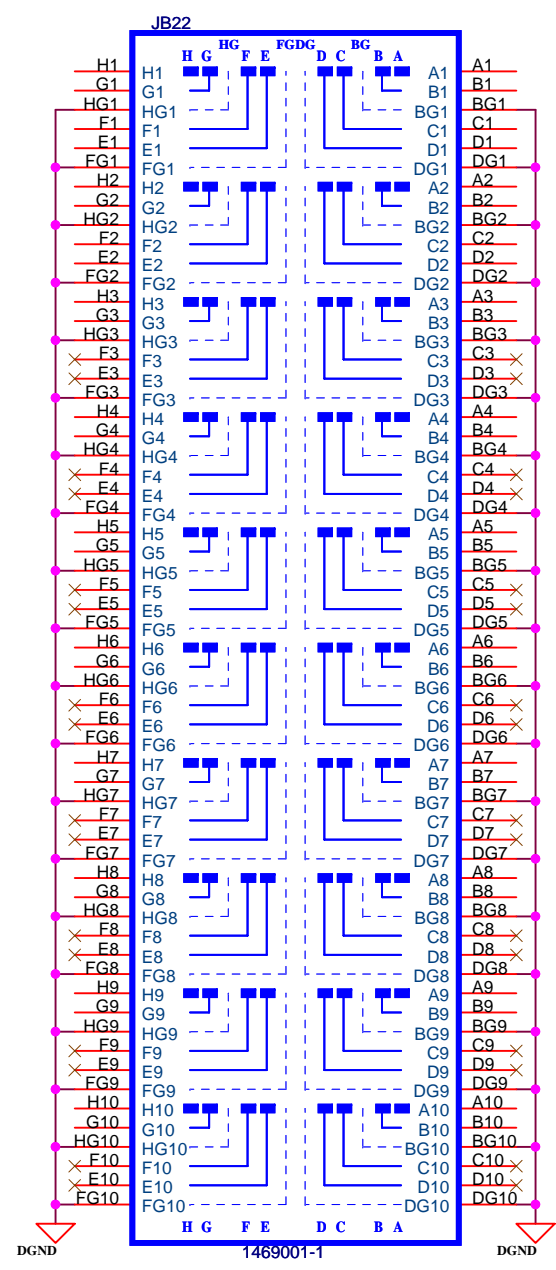


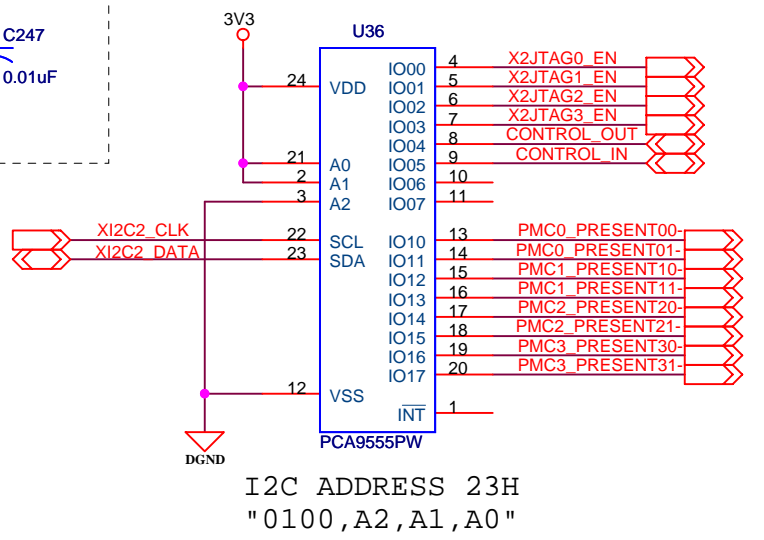
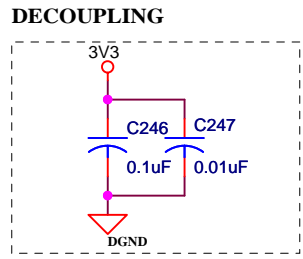
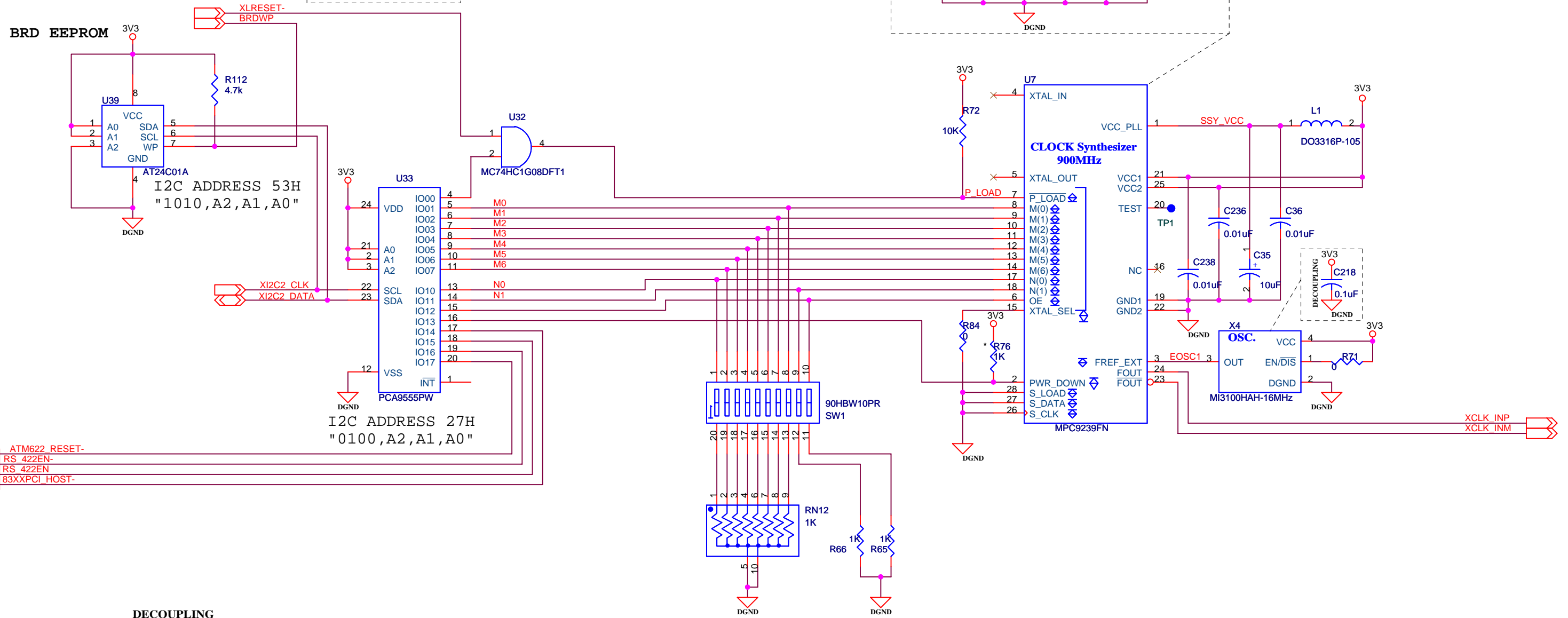
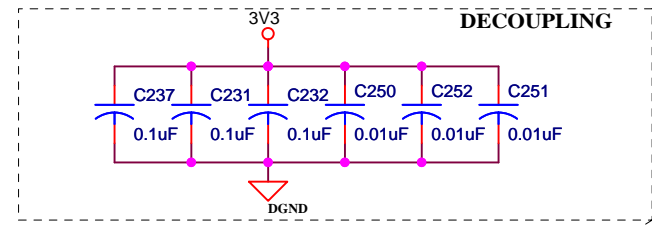
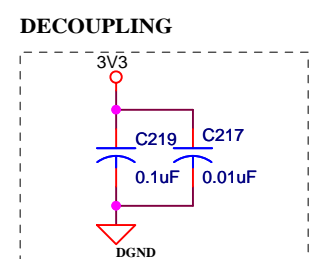
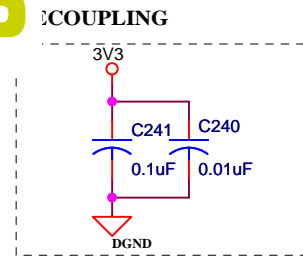


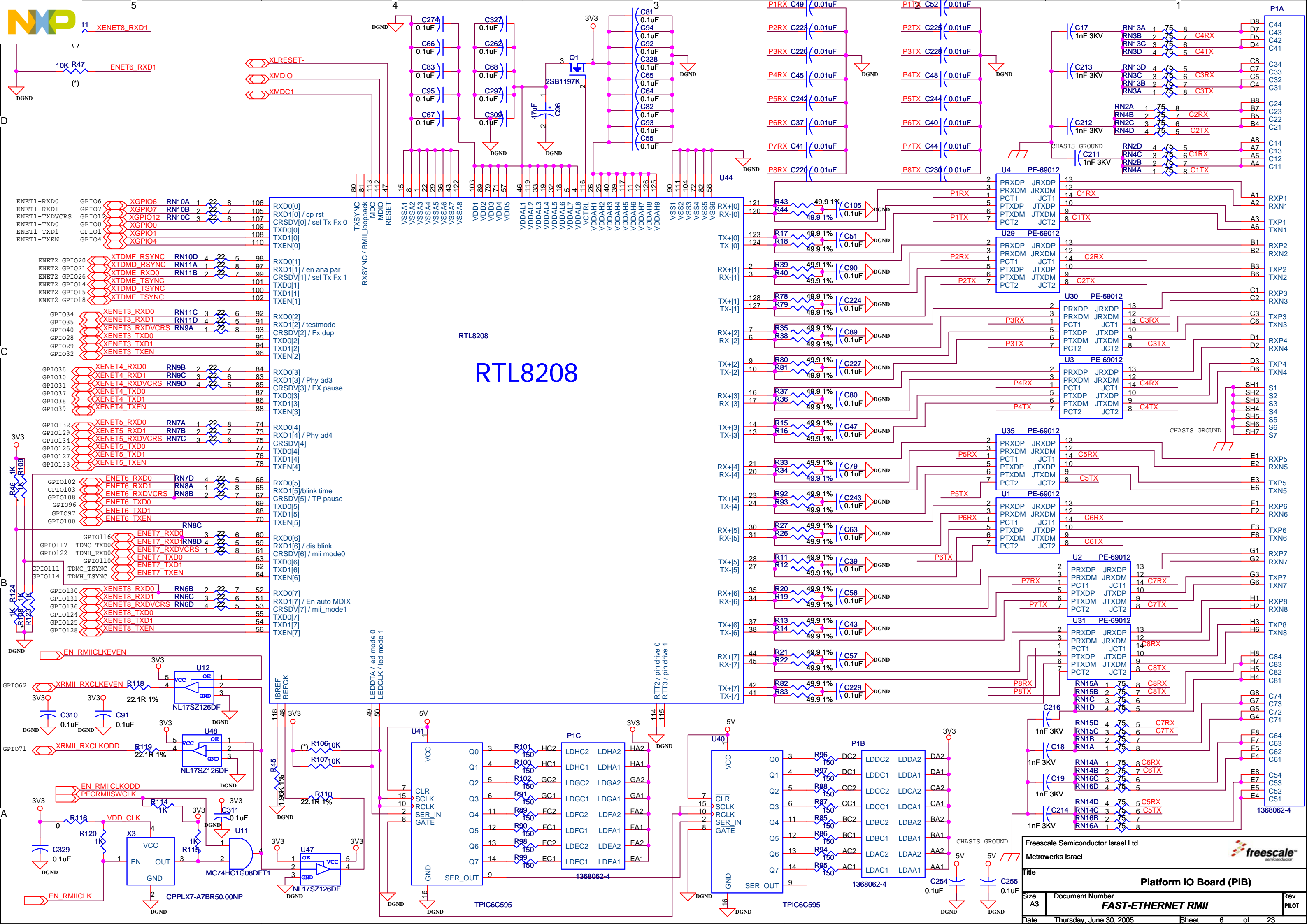
Parallel - OnCE
CABLE3
SPP
EPP
EPP Compliant 1284A
07123



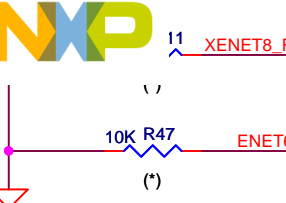




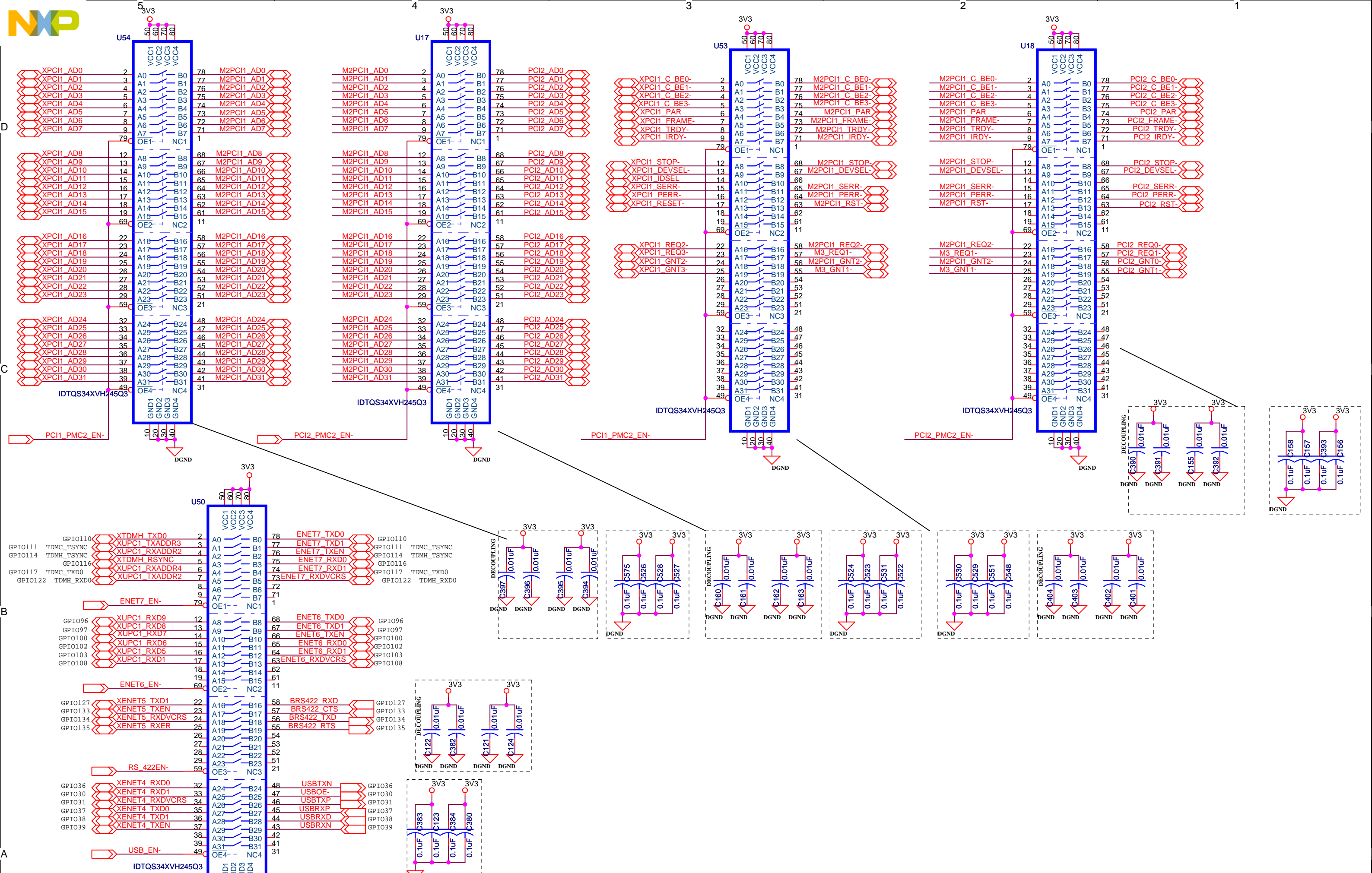


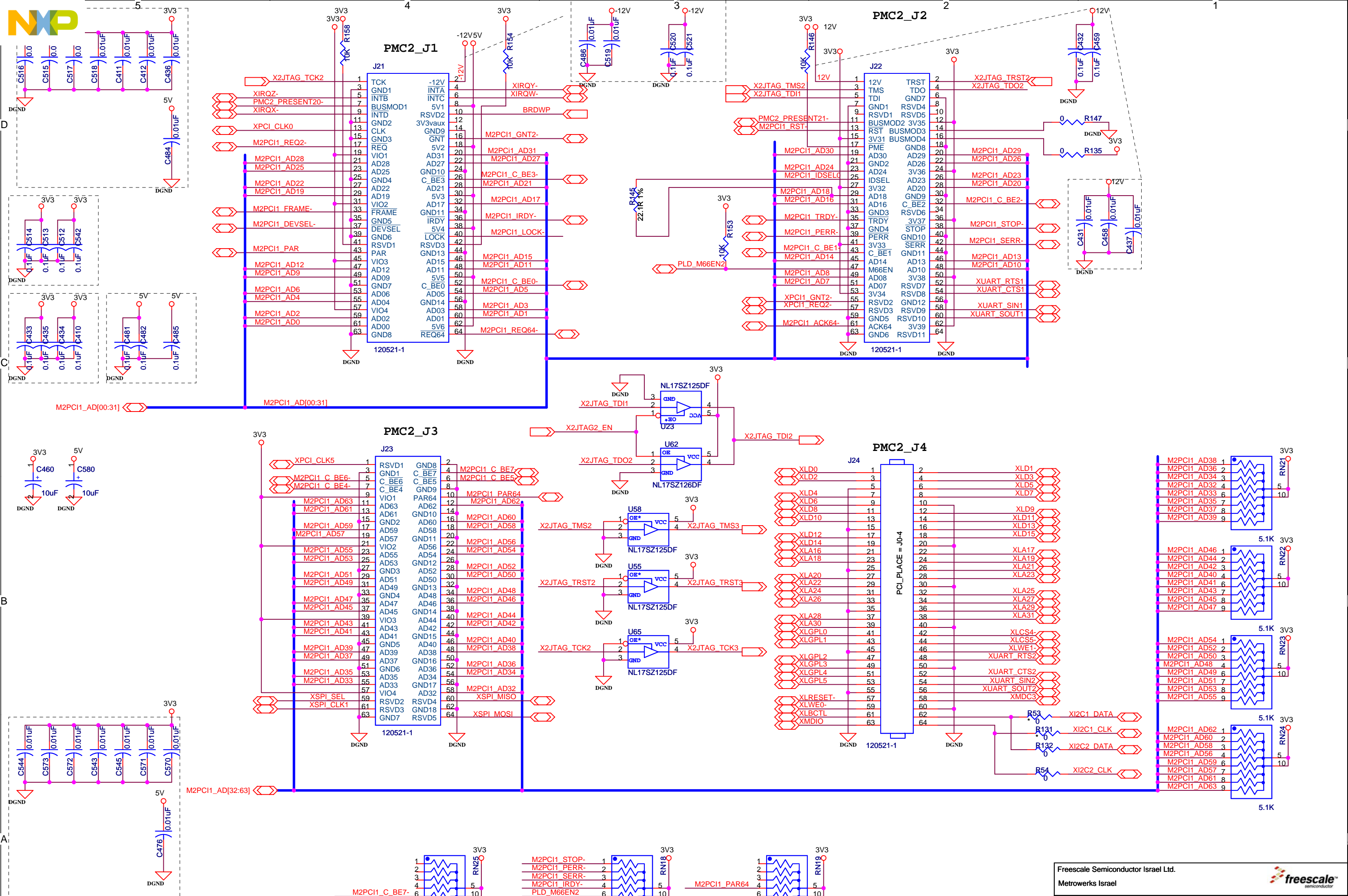


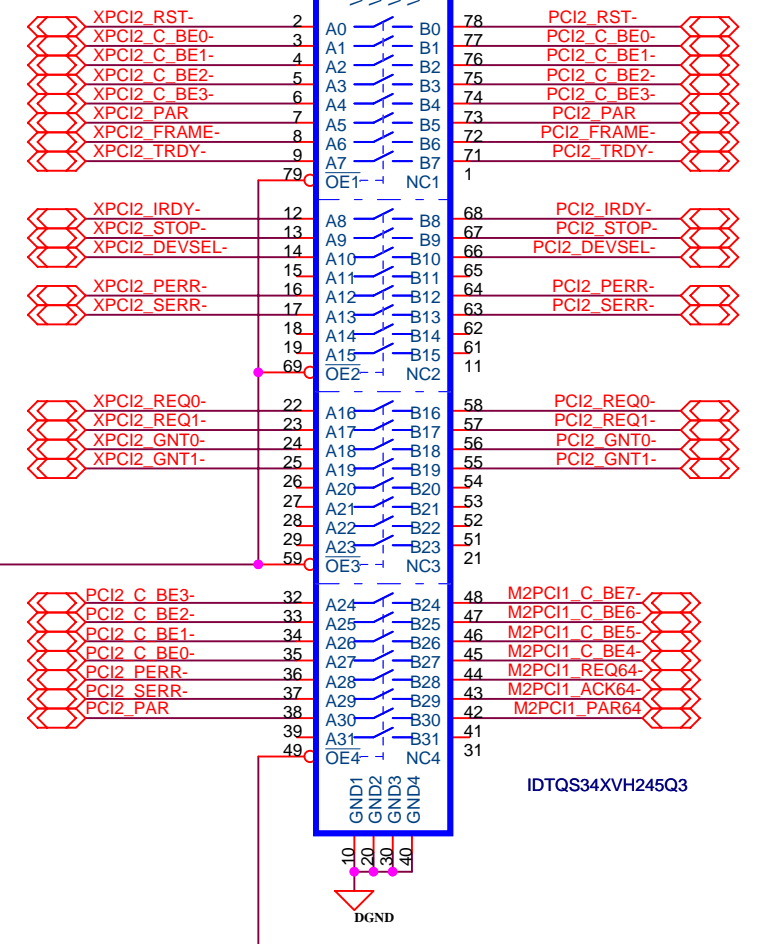
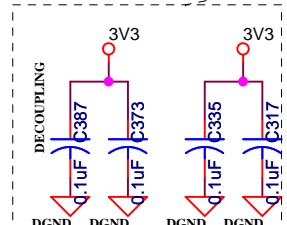
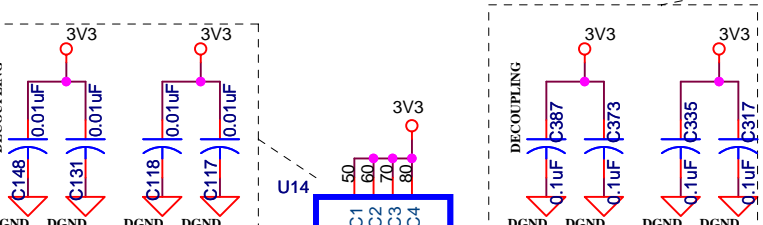
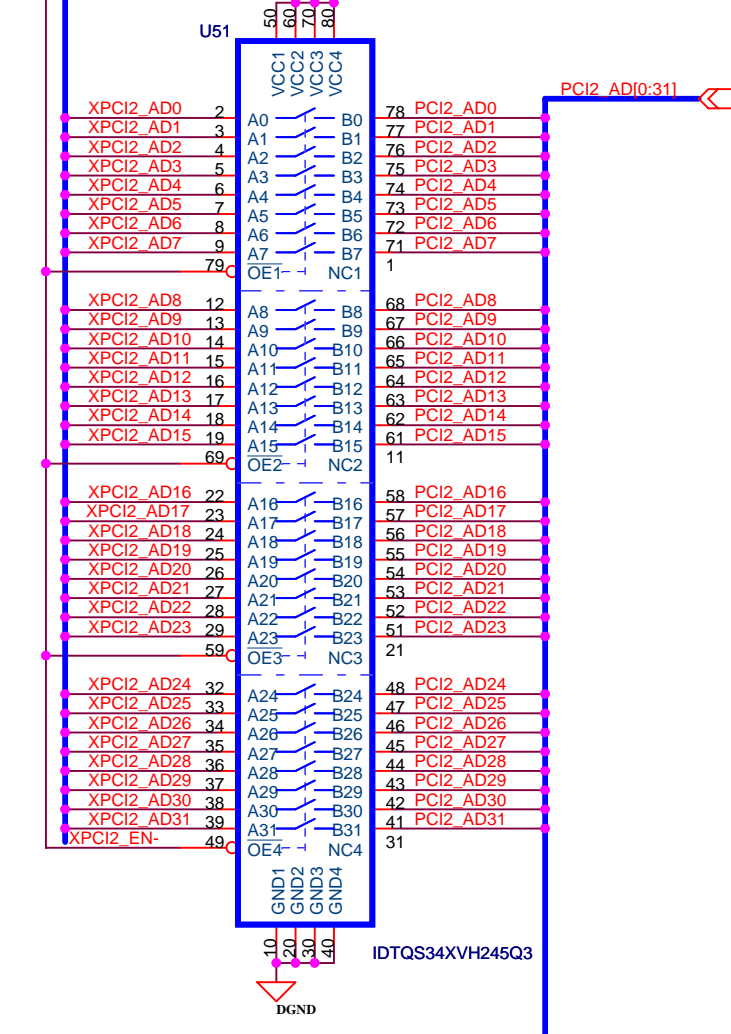
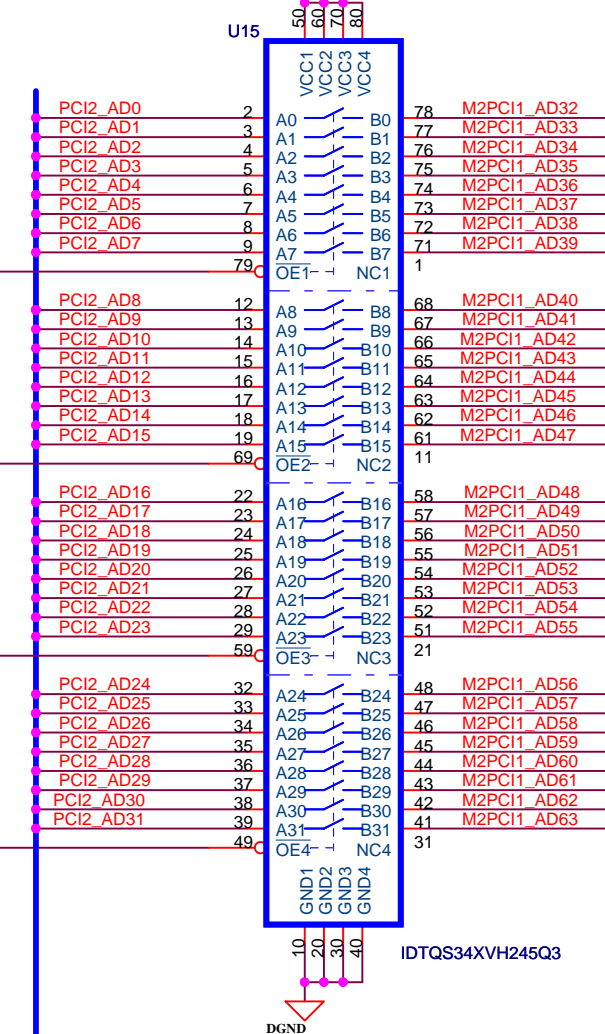
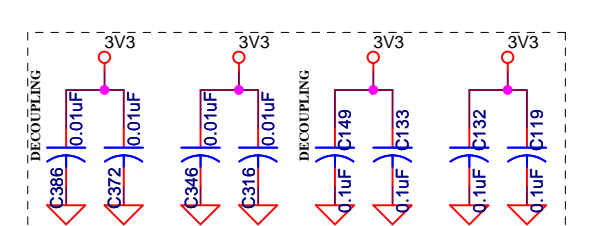
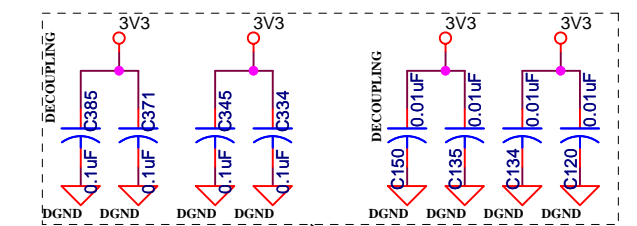
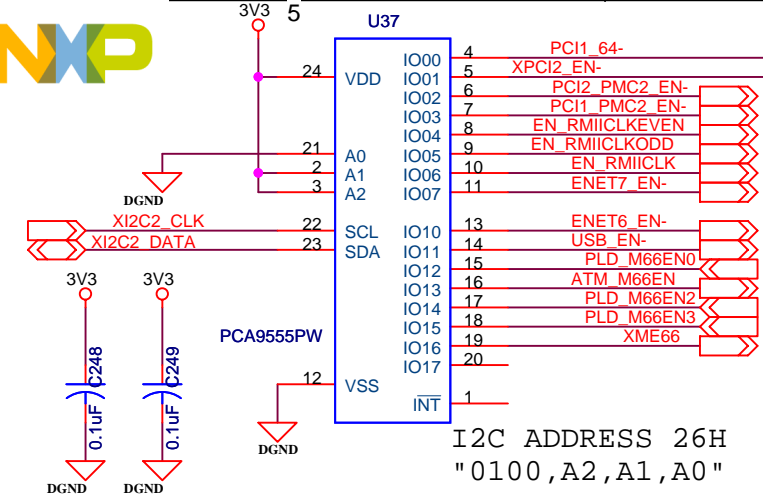
RTL8208

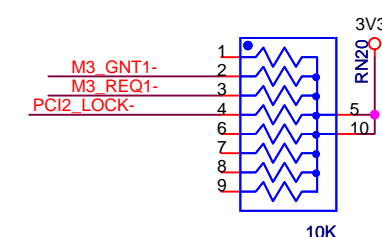
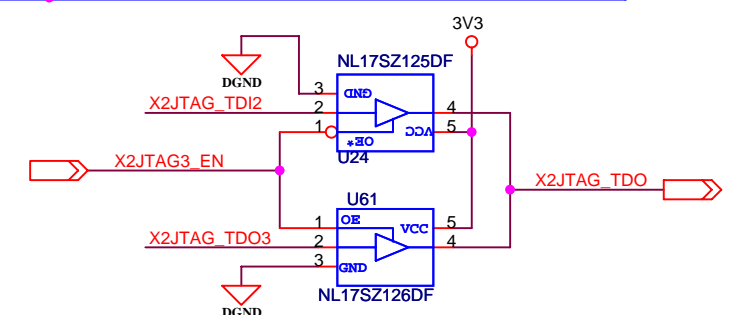
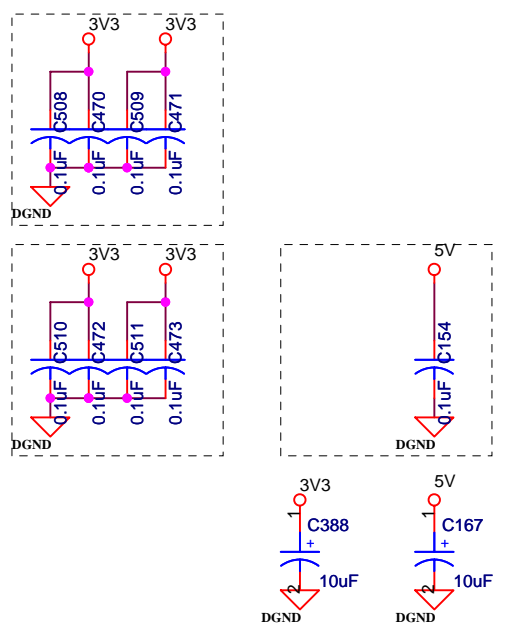
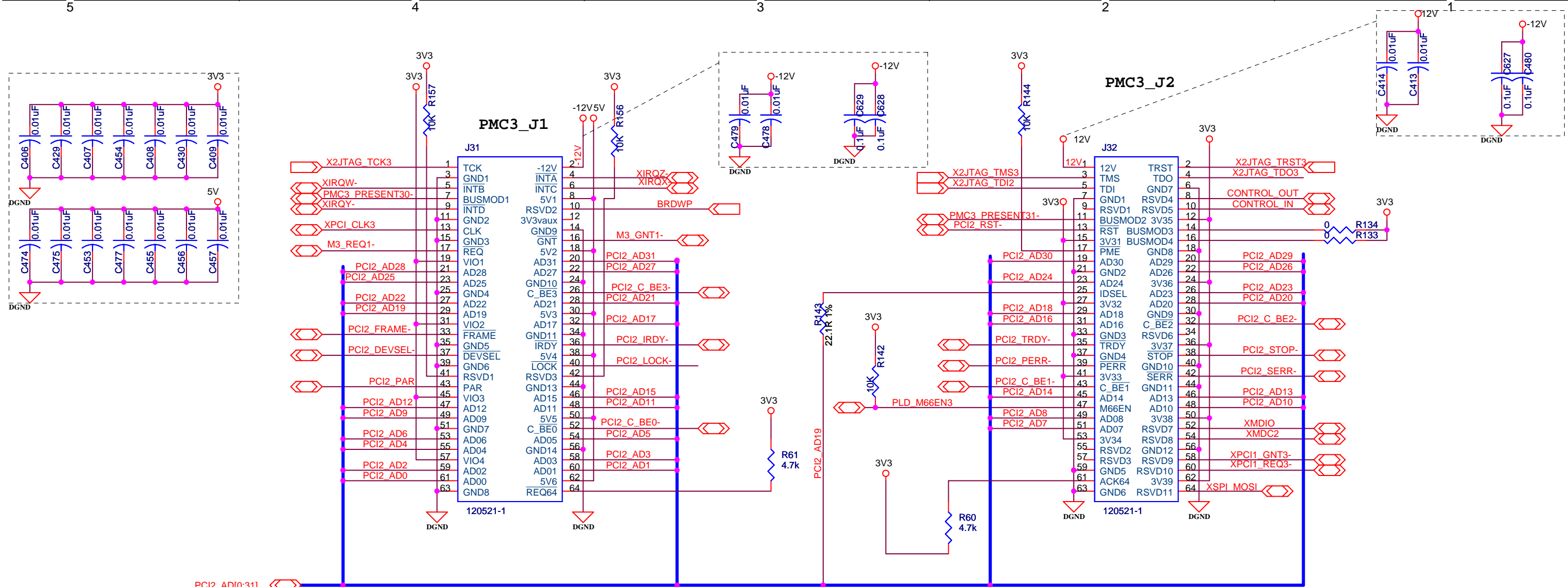


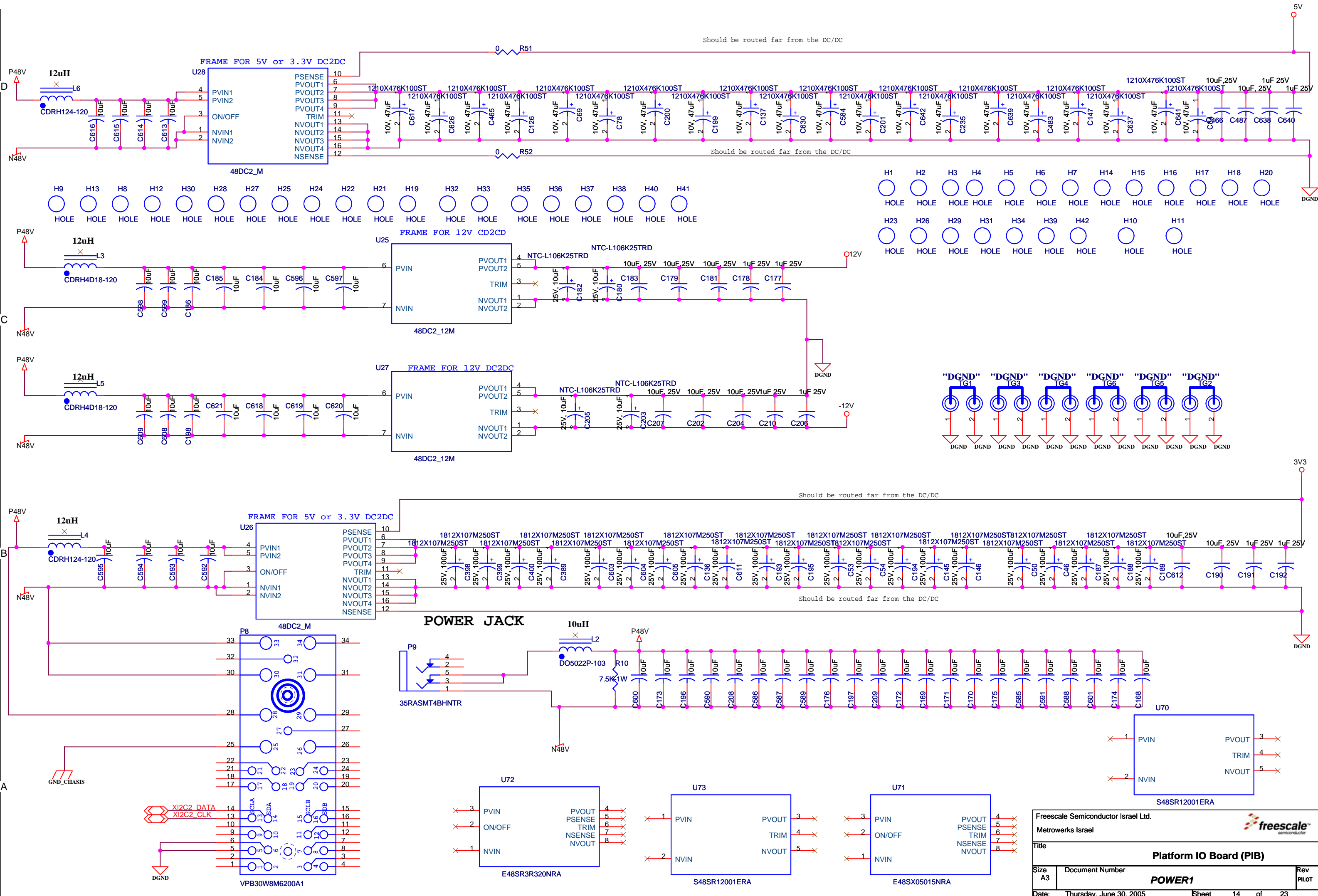
ENET Pin	GPIO Pin	Signal Name	Resistor	Resistor Value	Capacitor	Capacitor Value	Other Components
ENET1-RXD0	GPIO6	XGPIO6	RN10A	1 22 8			
ENET1-RXD1	GPIO7	XGPIO7	RN10B	2 22 7			
ENET1-TXDVCRS	GPIO12	XGPIO12	RN10C	3 22 6			
ENET1-TXD0	GPIO10	XGPIO10					
ENET1-TXD1	GPIO11	XGPIO11					
ENET1-TXEN	GPIO4	XGPIO4					
ENET2-GPIO20		XTDMF_RSYNC	RN10D	4 22 5			
ENET2-GPIO21		XTDMF_RSYNC	RN11A	1 22 8			
ENET2-GPIO26		XTDMF_RXD0	RN11B	2 22 7			
ENET2-GPIO14		XTDMF_TSYNC					
ENET2-GPIO15		XTDMF_TSYNC					
ENET2-GPIO18		XTDMF_TSYNC					
ENET3-GPIO34		XENET3_RXD0	RN11C	3 22 6			
ENET3-GPIO35		XENET3_RXD1	RN11D	4 22 5			
ENET3-GPIO40		XENET3_RXDVCRS	RN9A	1 22 8			
ENET3-GPIO28		XENET3_TXD0					
ENET3-GPIO29		XENET3_TXD1					
ENET3-GPIO32		XENET3_TXEN					
ENET4-GPIO36		XENET4_RXD0	RN9B	2 22 7			
ENET4-GPIO30		XENET4_RXD1	RN9C	3 22 6			
ENET4-GPIO31		XENET4_RXDVCRS	RN9D	4 22 5			
ENET4-GPIO37		XENET4_TXD0					
ENET4-GPIO38		XENET4_TXD1					
ENET4-GPIO39		XENET4_TXEN					
ENET5-GPIO132		XENET5_RXD0	RN7A	1 22 8			
ENET5-GPIO129		XENET5_RXD1	RN7B	2 22 7			
ENET5-GPIO134		XENET5_RXDVCRS	RN7C	3 22 6			
ENET5-GPIO126		XENET5_TXD0					
ENET5-GPIO127		XENET5_TXD1					
ENET5-GPIO133		XENET5_TXEN					
ENET6-GPIO102		ENET6_RXD0	RN7D	4 22 5			
ENET6-GPIO103		ENET6_RXD1	RN8A	1 22 8			
ENET6-GPIO108		ENET6_RXDVCRS	RN8B	2 22 7			
ENET6-GPIO96		ENET6_TXD0					
ENET6-GPIO97		ENET6_TXD1					
ENET6-GPIO100		ENET6_TXEN					
ENET7-GPIO116		ENET7_RXD0	RN8C	3 22 6			
ENET7-GPIO117		ENET7_RXD1	RN8D	4 22 5			
ENET7-GPIO122		ENET7_RXDVCRS					
ENET7-GPIO110		ENET7_TXD0					
ENET7-GPIO111		ENET7_TXD1					
ENET7-GPIO114		ENET7_TXEN					
ENET8-GPIO130		XENET8_RXD0	RN6B	2 22 7			
ENET8-GPIO131		XENET8_RXD1	RN6C	3 22 6			
ENET8-GPIO136		XENET8_RXDVCRS	RN6D	4 22 5			
ENET8-GPIO124		XENET8_TXD0					
ENET8-GPIO125		XENET8_TXD1					
ENET8-GPIO128		XENET8_TXEN					

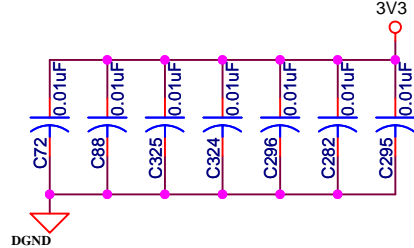
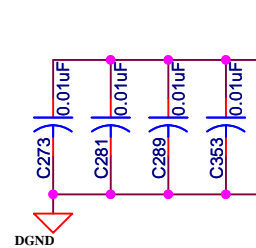
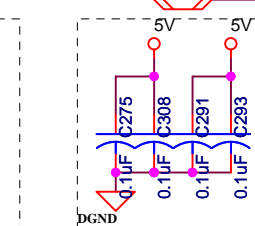
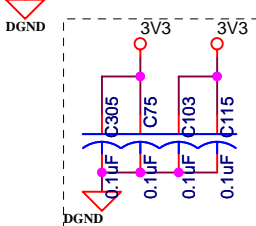
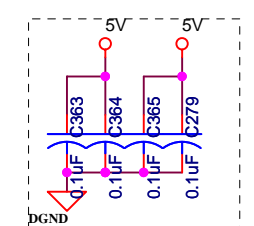
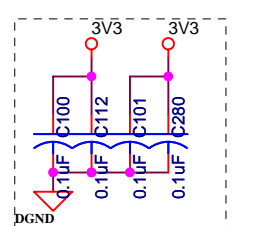
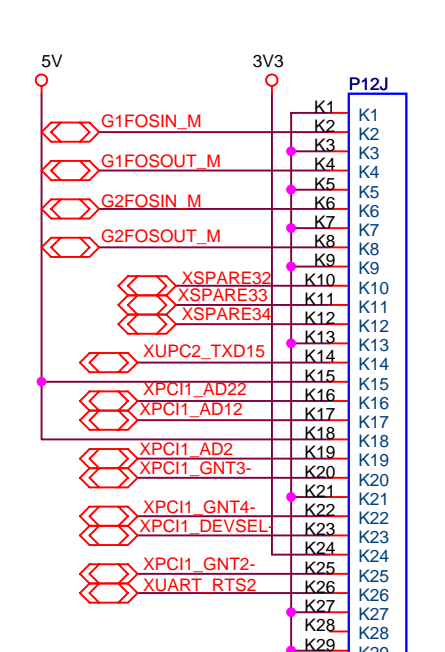
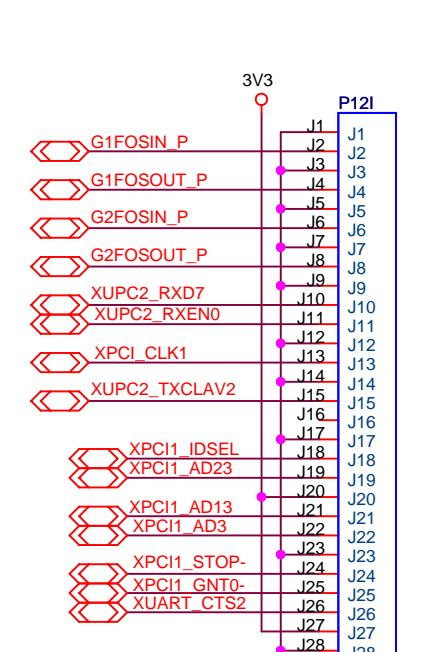
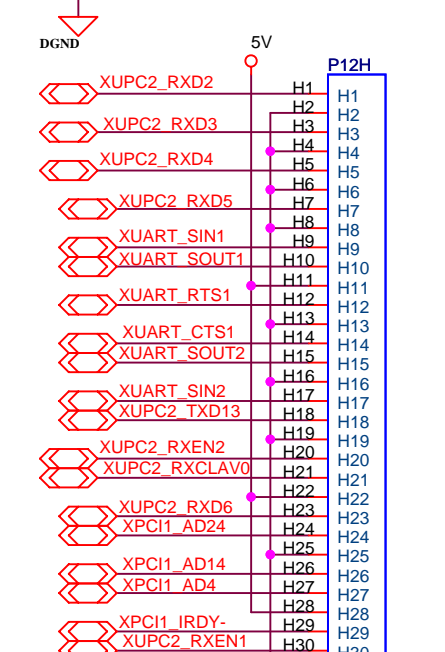
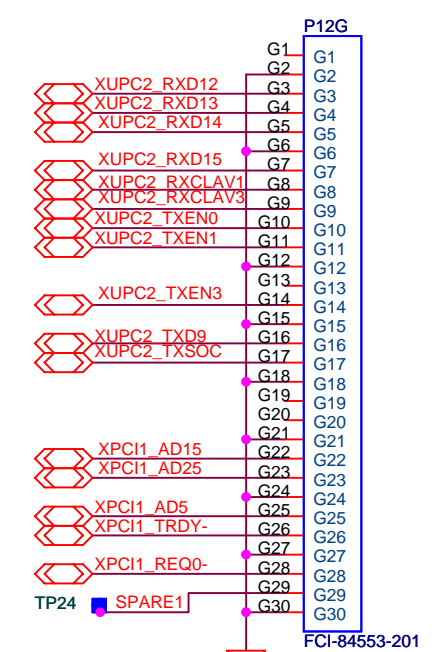
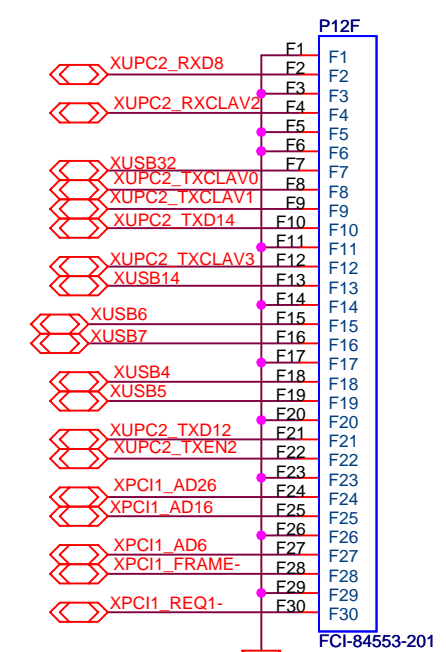
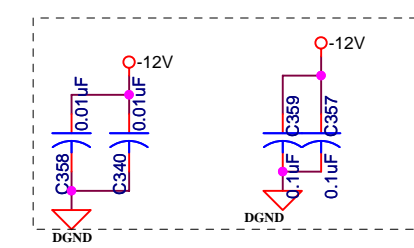
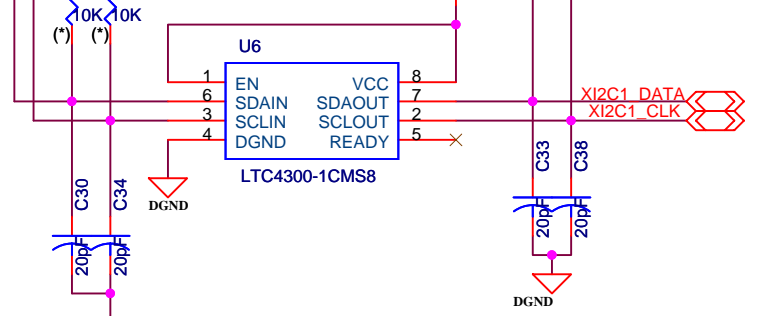
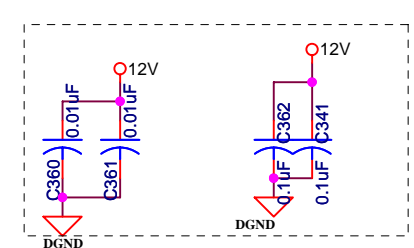
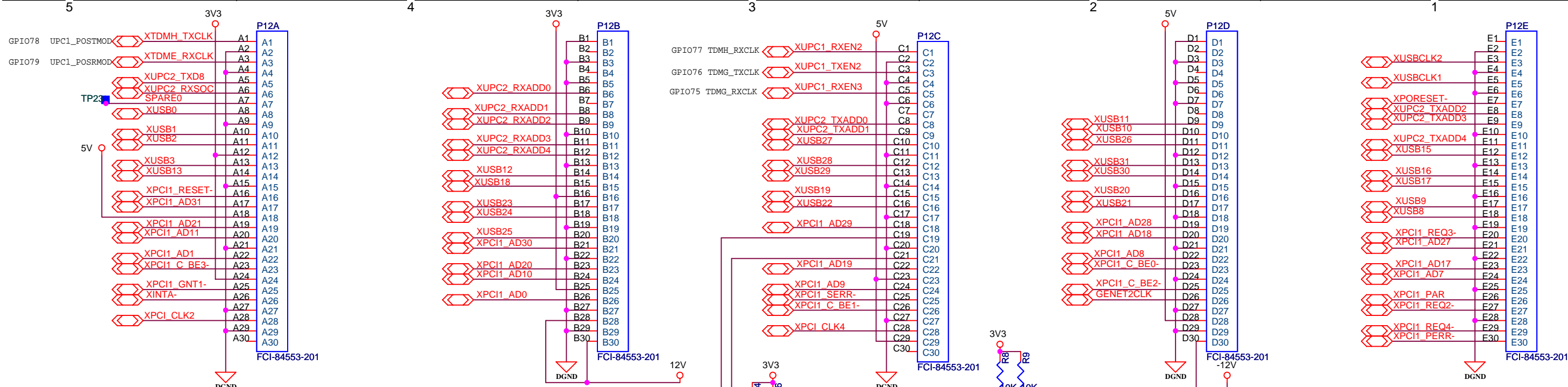


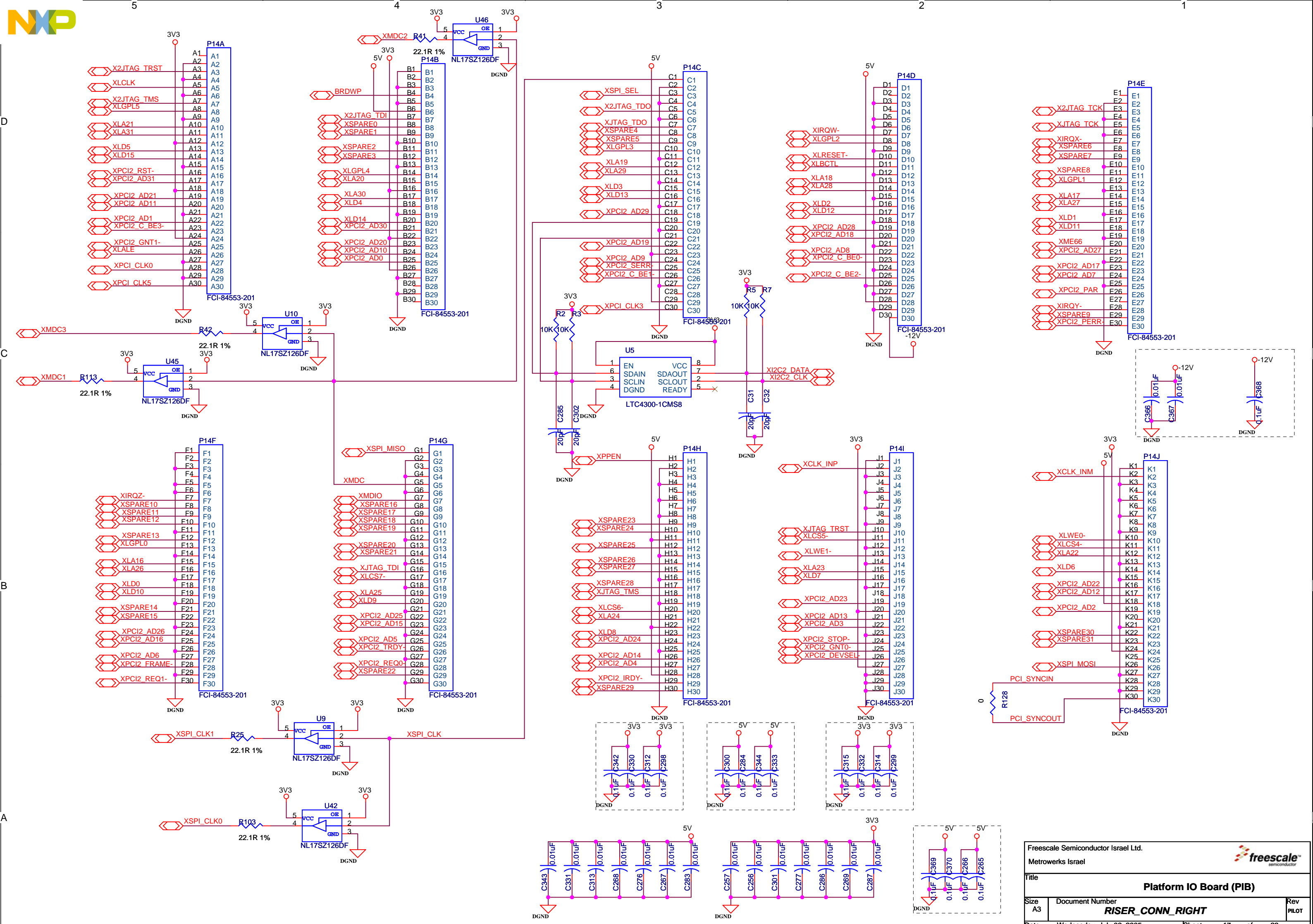


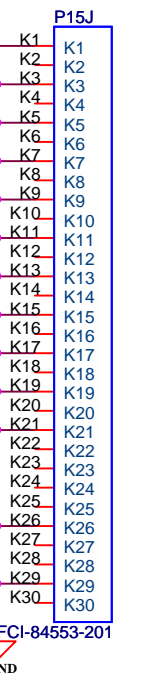
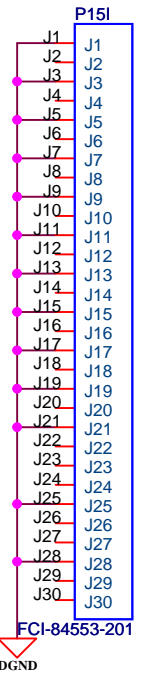
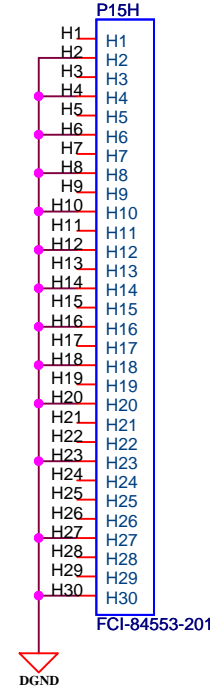
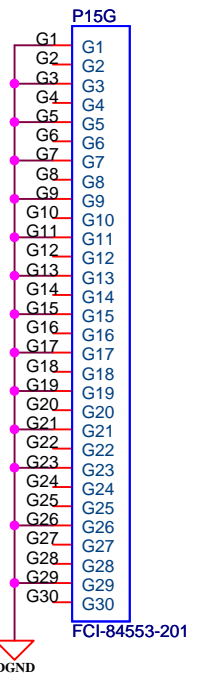
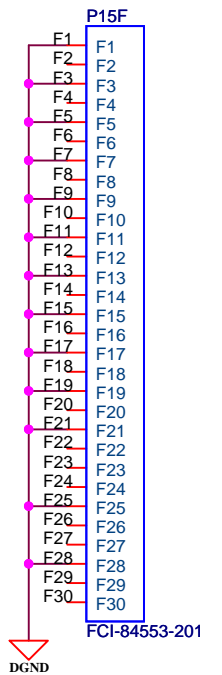
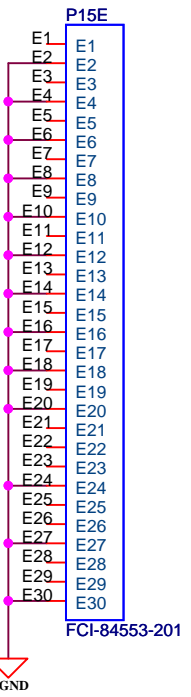
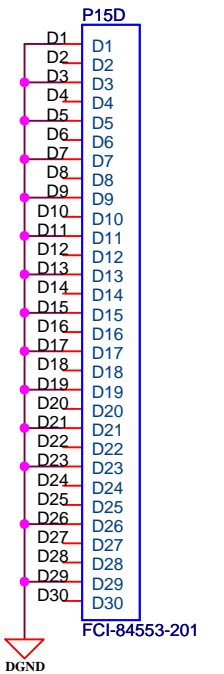
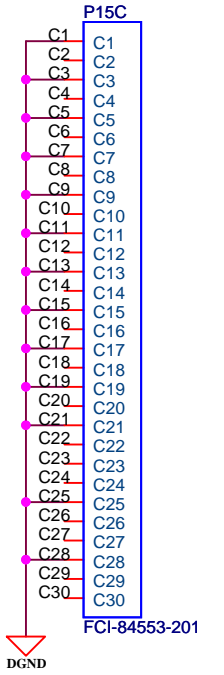
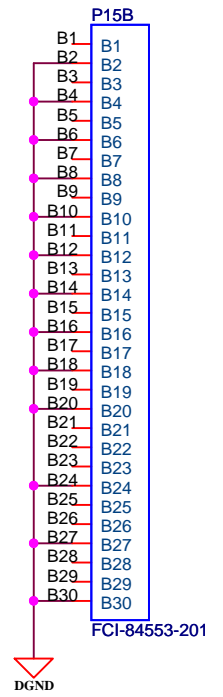
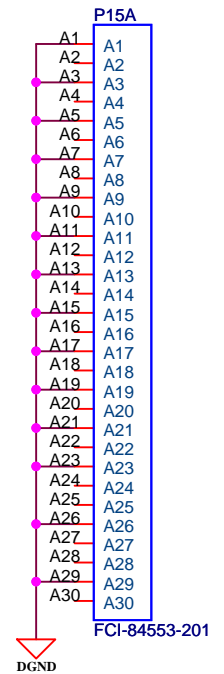


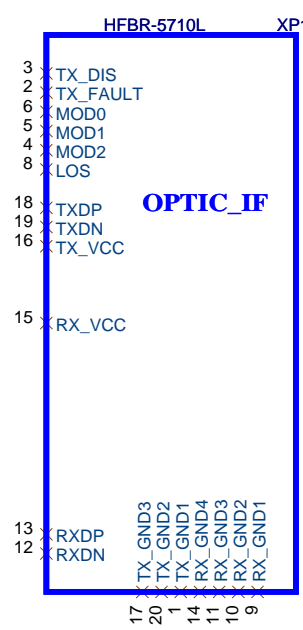
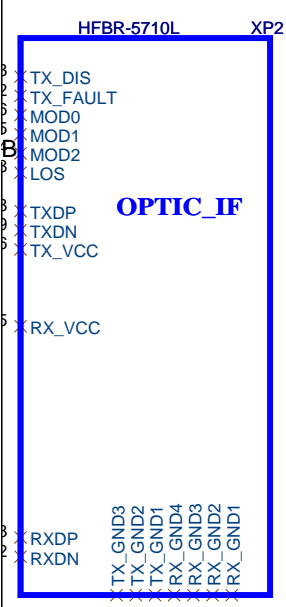
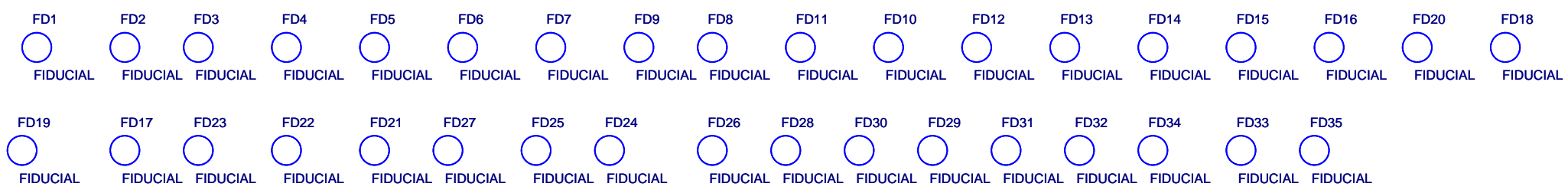
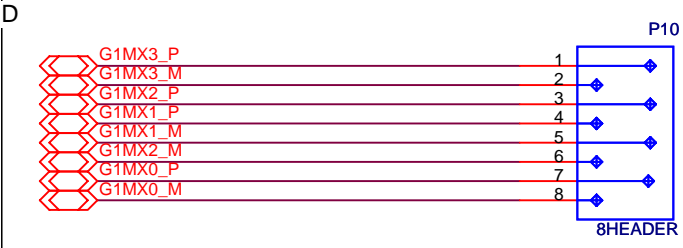




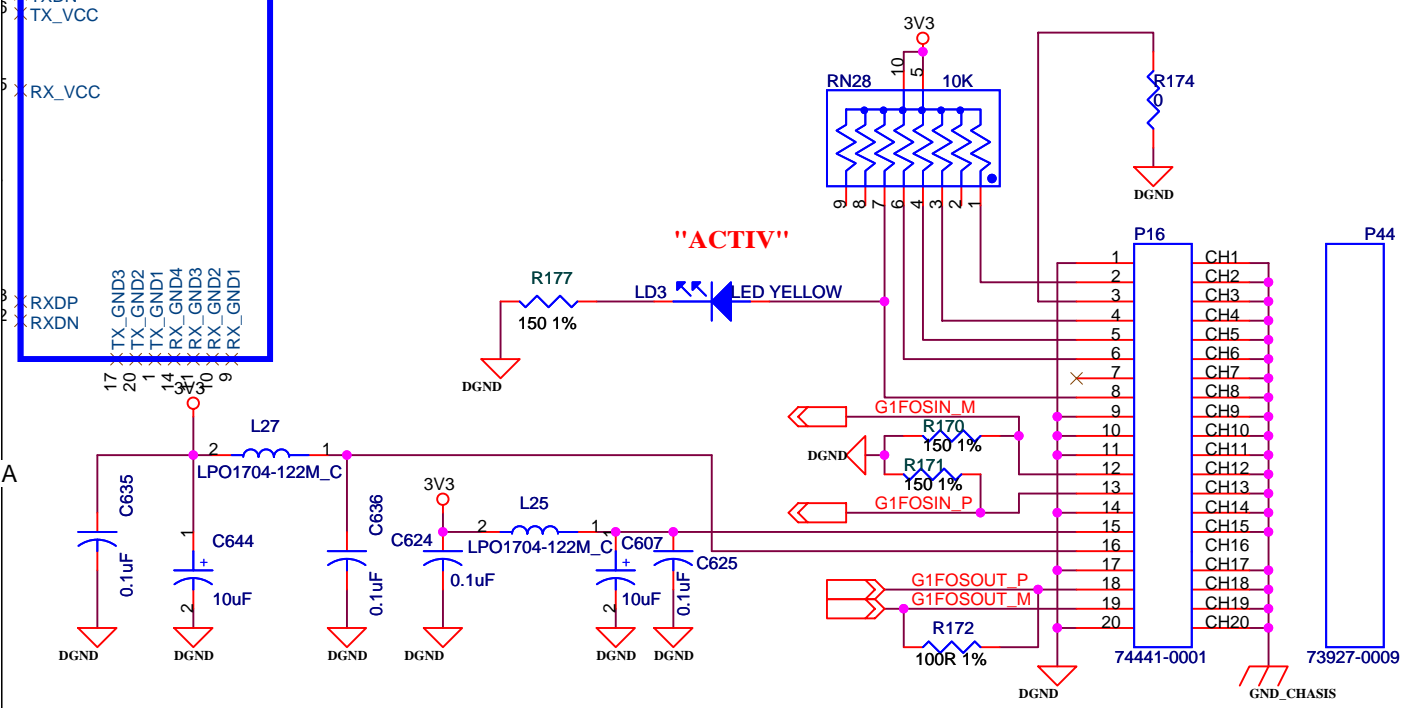




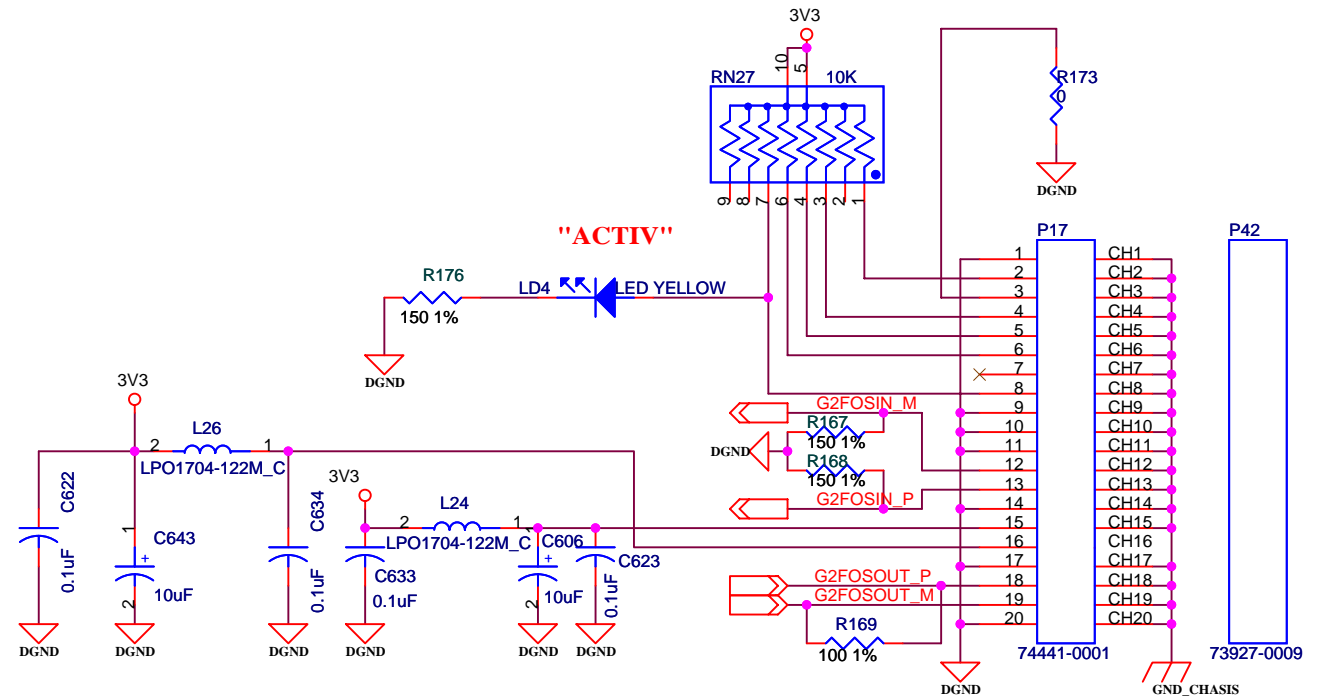


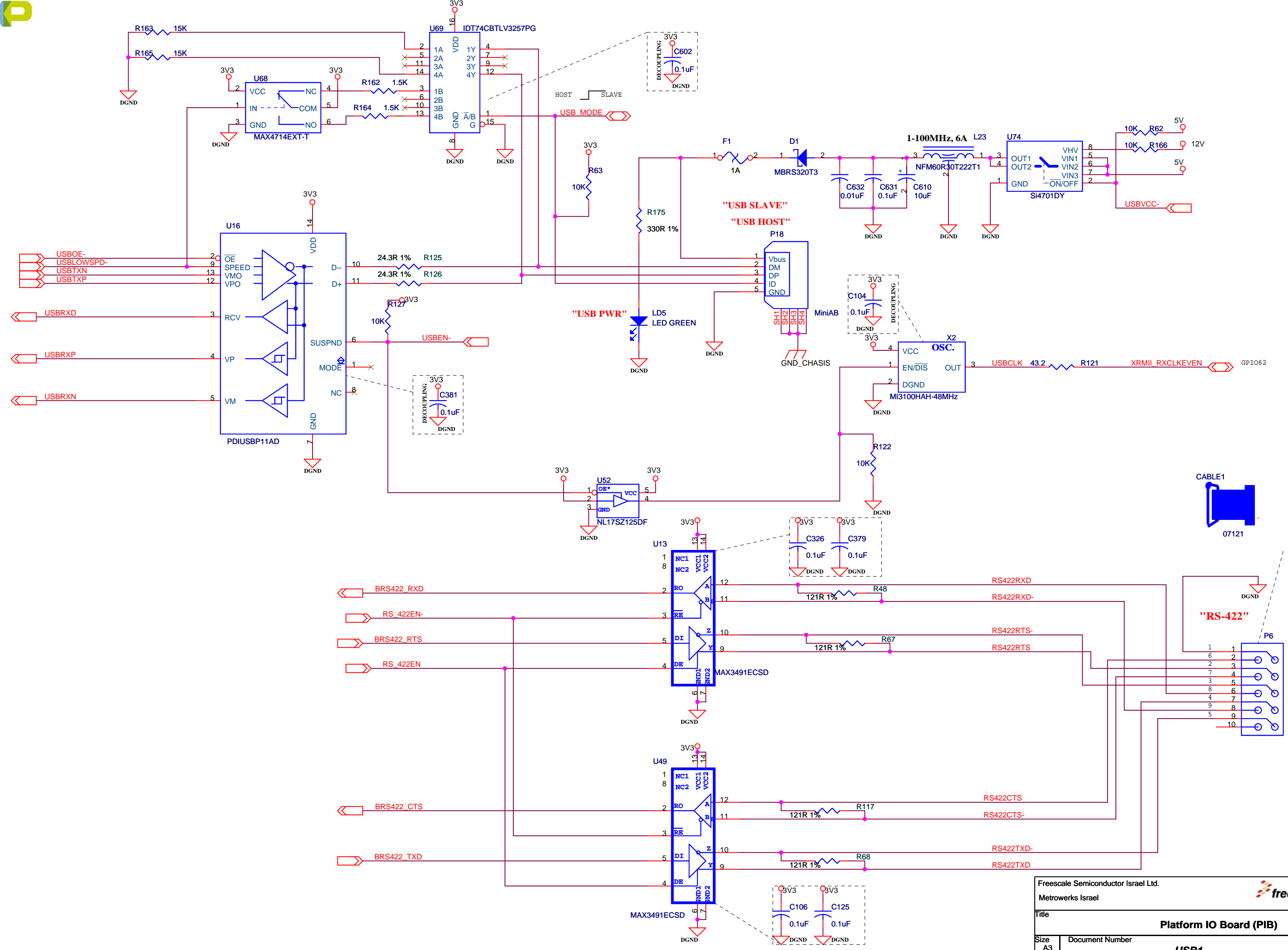


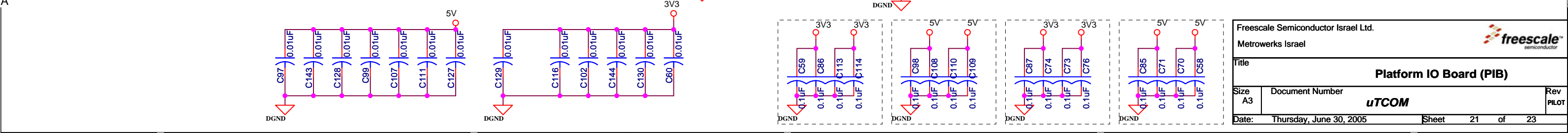
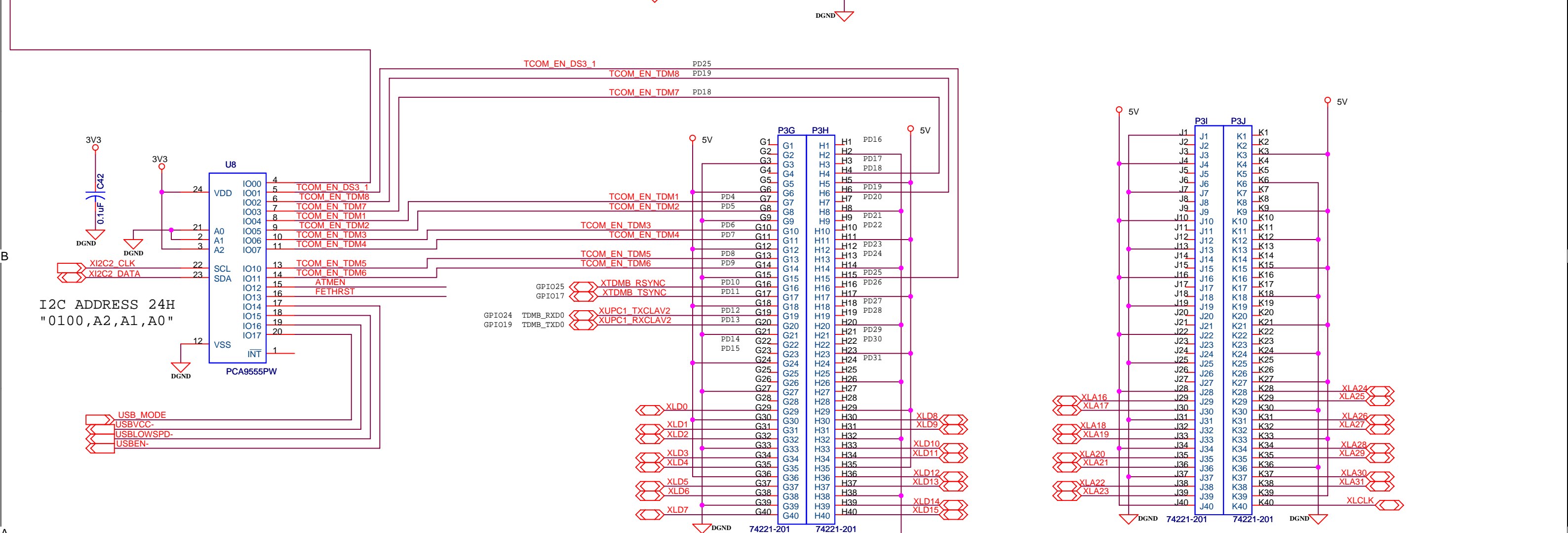
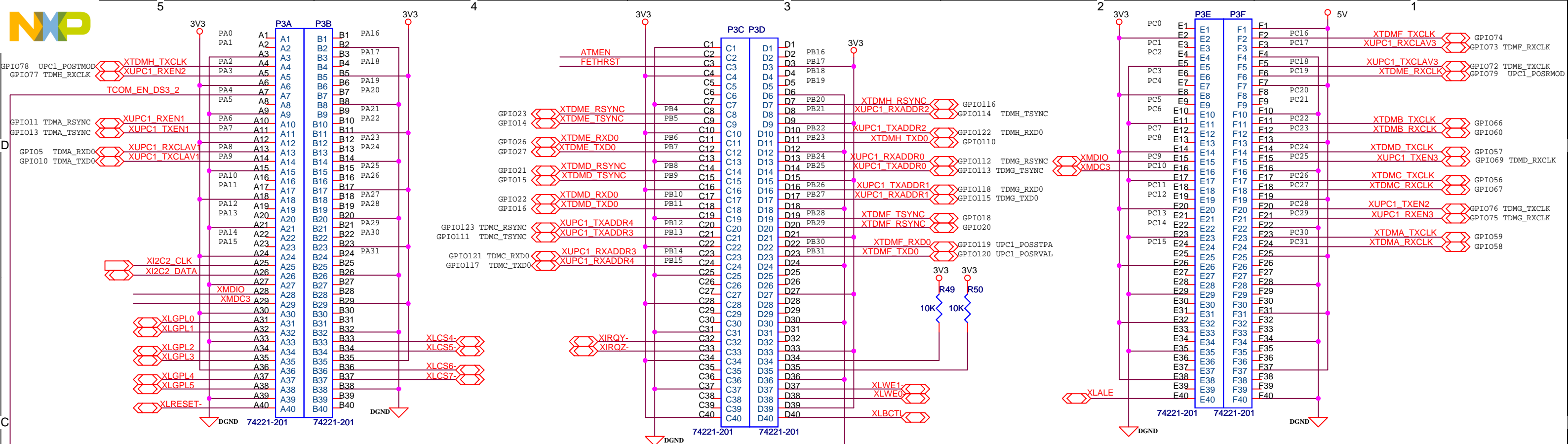
TSEC CHANNEL 1

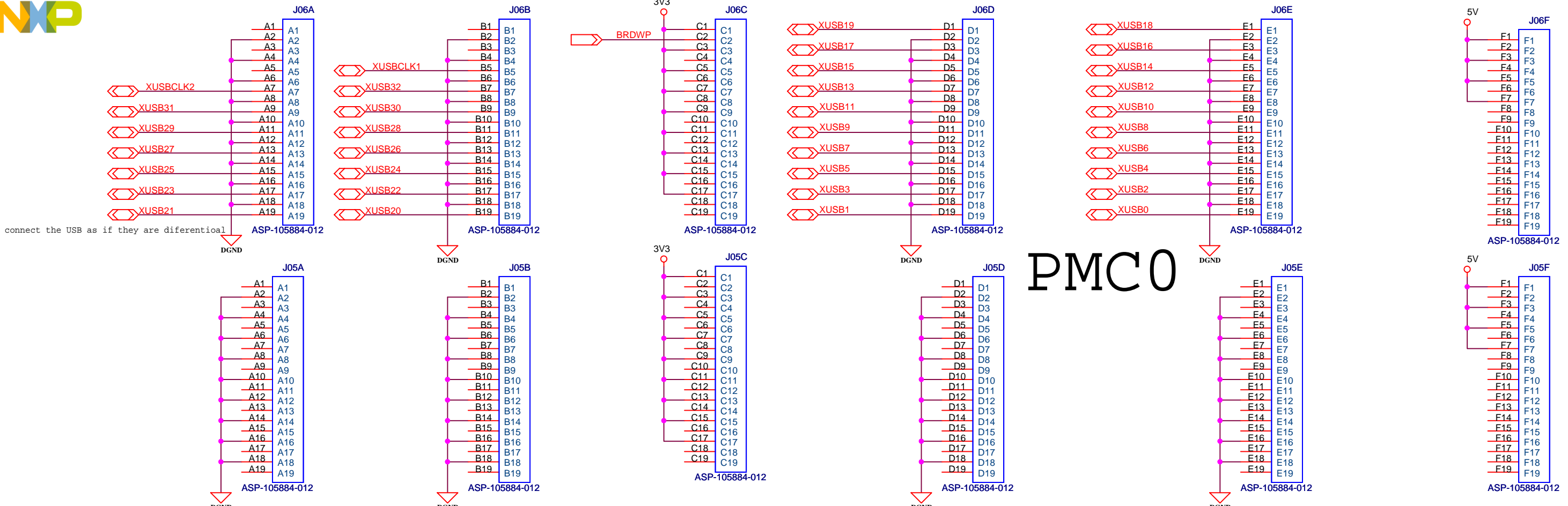


TSEC CHANNEL 2

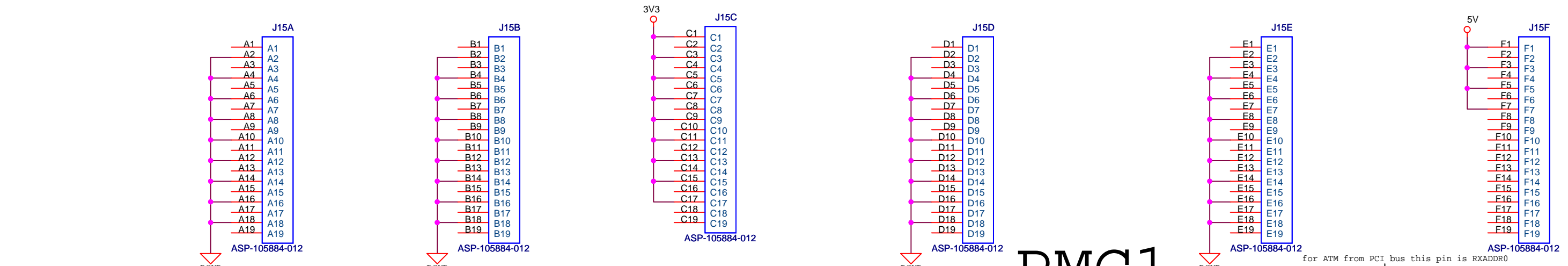








PMC0



PMC1

