



# MPC830x-TLCD Schematic

## SCHEMATIC PAGE DESCRIPTION:

- 01: Cover Sheet
- 02: Touch Sensor Panel & LCD

## MAJOR REVISION HISTORY:

PCB REV.	SCH REV.	DESCRIPTION	DATA
V0.1	V0.1	First Release	
B	B	Production Version	

## PCB MECHANICAL DETAILS:

- 01: PCB SIZE:80mm x 85mm
- 02: PCB MATERIAL: FR4
- 03: NUMBER OF LAYERS: 2
- 04: IMPEDENCE CONTROL: NO

## VOLTAGE RAIL NOTATION

PWR RAIL	DESCRIPTION
+5V	5.0V Input voltage from source
+3.3V	3.3V I/O voltage

## NOTES, UNLESS OTHERWISE SPECIFIED:

- 01: RESISTANCE TOLERANCE IS 5% IF NOT SPECIFIED
- 02: PARTS NOT INSTALLED ARE INDICATED WITH 'NP'
- 03: SIGNAL NET NAMES WITH '#' SUFFIX, ARE ACTIVE LOW SIGNALS
- 04: PACKAGE SIZE FOR DESCRETES IS '0603' IF NOT SPECIFIED

## COMPONENT MOUNT/UNMOUNT NOTATIONS

NOTATION <small>(IN MOUNTING PROPERTY FIELD)</small>	MOUNTING INSTRUCTIONS
BLANK	COMPONENT TO BE POPULATED
NP	NOT POPULATE

## I2C ADDRESS DETAILS:

- 01: THE I2C ADDRESS ARE 0X5A,0X5B,0X5C,0X5D IN DATASHEET
- 02: THE I2C ADDRESS ARE 0X4C,0X4D,0X4E,0X4F IN AN3895.
- 03: PLS CHECK THE ADDRESS LISTED AND SELECT ONE AS THE I2C ADDRESS.

Title		COVER PAGE	
Size	Document Number	Rev	
B	MPC830X-TLCD	B	
Date:	Friday, November 18, 2011	Sheet	1 of 3



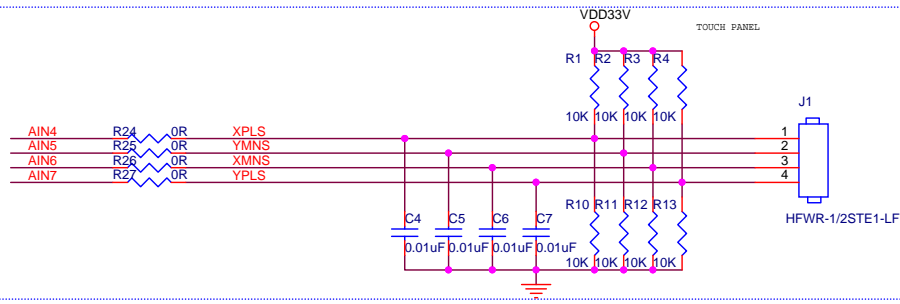
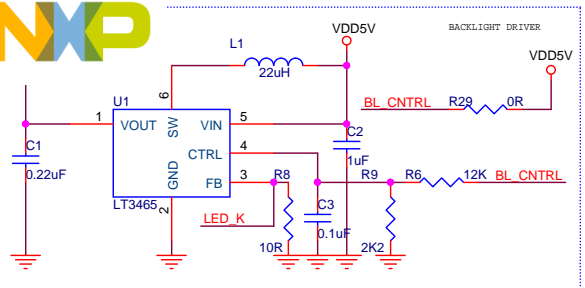
# MPC830x-TLCD DISPLAY MODE CONFIG

MODE	PARALLEL 6800				PARALLEL 8080				4 LINE SPI	3 LINE SPI	RGB+4 SPI	
	16BIT	8BIT	18BIT	9BIT	16BIT	8BIT	18BIT	9BIT				
SW1	1	OFF				OFF				ON	ON	ON
	2	ON				ON				ON	ON	ON
	3	OFF				OFF				OFF	OFF	ON
	4	X				X				X	X	X
	5	OFF	ON	OFF	ON	OFF	ON	OFF	ON	ON	OFF	OFF
	6	OFF	OFF	OFF	OFF	ON	ON	ON	ON	OFF	OFF	ON
	7	ON	ON	OFF	OFF	ON	ON	OFF	OFF	OFF	OFF	ON
	8	OFF	OFF	ON	ON	OFF	OFF	ON	ON	OFF	OFF	ON

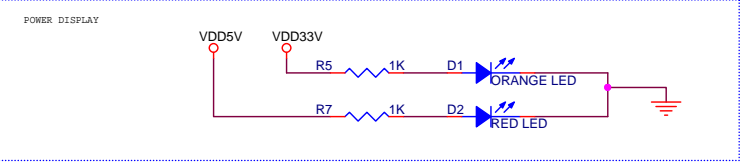
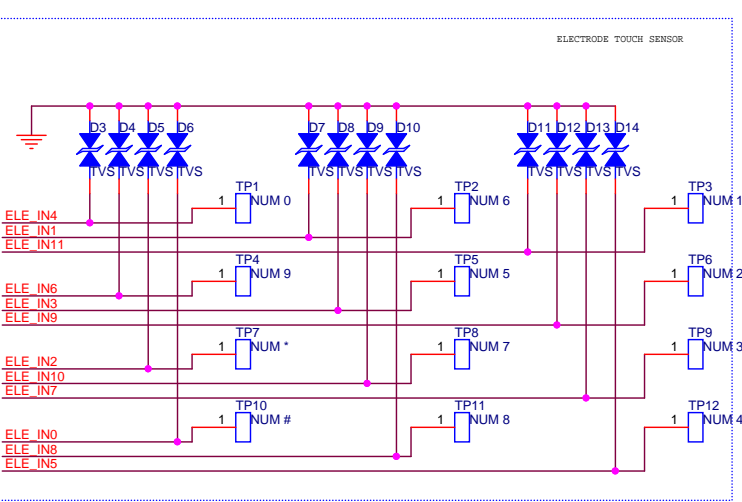
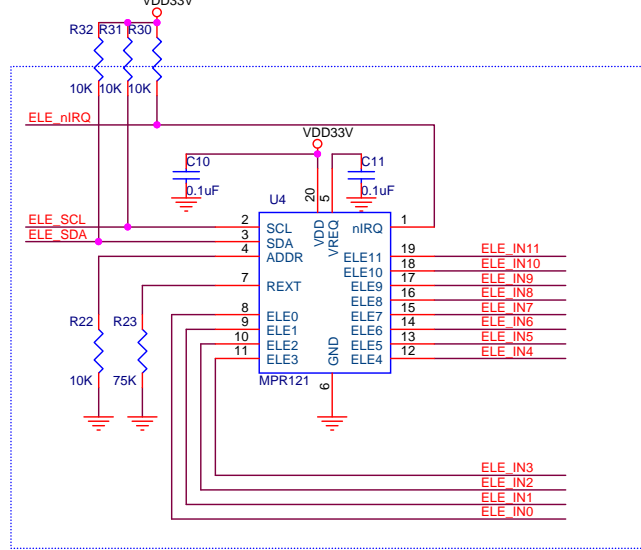
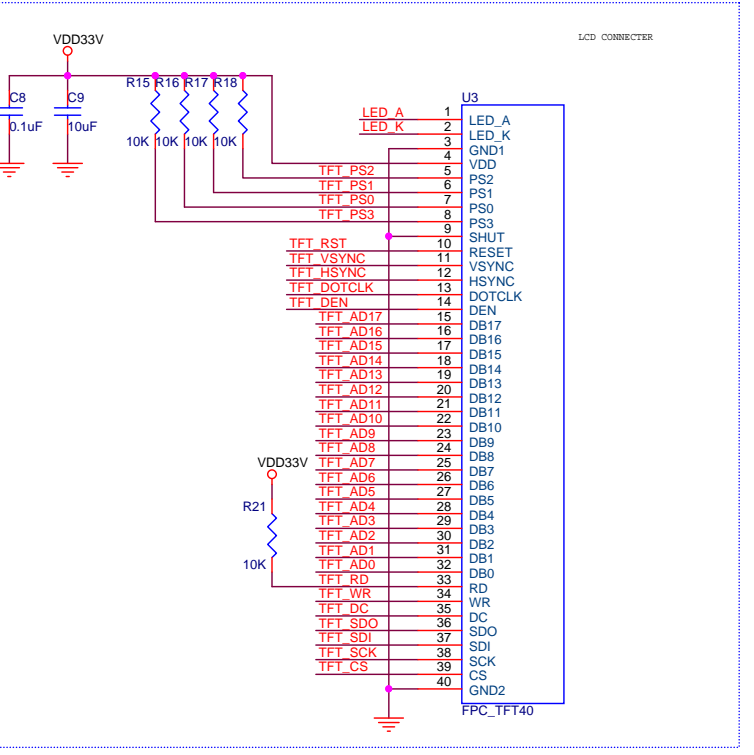
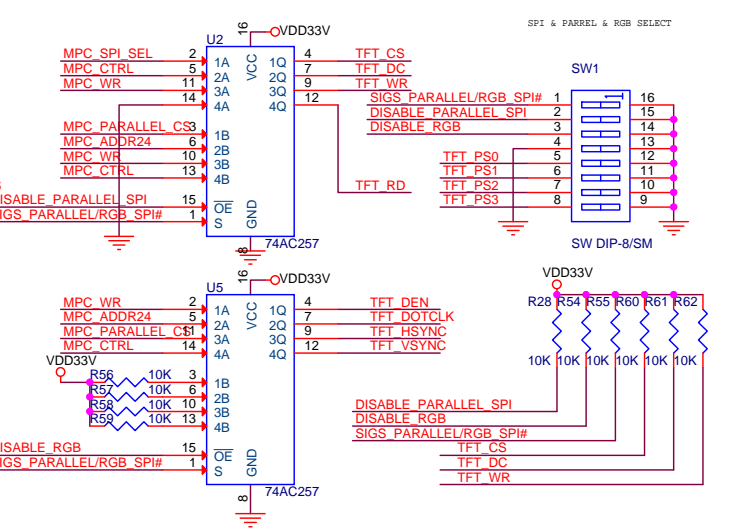
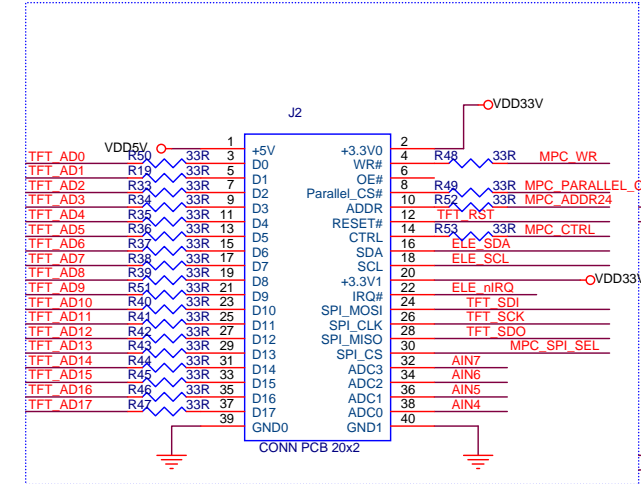
ON: 0 ; OFF:1 ; X: Don't care

	DISPLAY CONNECTER(J2)		LCD CONNECTER(U3)	
	PIN	NET	PIN	NET
SPI	J2.30	MPC_SPI_SEL	U3.39	TFT_CS
	J2.28	TFT_SDO	U3.36	TFT_SDC
	J2.24	TFT_SDI	U3.37	TFT_SDI
	J2.26	TFT_SCK	U3.38	TFT_SCK
6800 /8080 PARALL EL	J2.8	MPC_PARALLEL_CS	U3.39	TFT_CS
	J2.10	MPC_ADDR24	U3.35	TFT_DC
	J2.4	MPC_WR	U3.34	TFT_WR
	J2.14	MPC_CTRL	U3.33	TFT_RD
	J2.3~J2.37	TFT_D[0:17]	U3.32~U3.15	TFT_D[0:17]
RGB	J2.4	MPC_WR	U3.14	TFT_DEN
	J2.10	MPC_ADDR24	U3.13	TFT_DOTCLK
	J2.14	MPC_CTRL	U3.11	TFT_VSYNC
	J2.8	MPC_PARALLEL_CS	U3.12	TFT_HSYNC
	J2.3~J2.37	TFT_D[0:17]	U3.32~U3.15	TFT_D[0:17]

Title		MODE_CONFIG	
Size	Document Number	MPC830X-TLCD	
B			
Date:	Friday, November 18, 2011	Sheet	2 of 3



		MODE	SPI	PARALLEL	RGB+SPI
SW1 config	1	SIGS_PARALLEL/RGB_SPI#	ON	OFF	ON
	2	DISABLE_PARALLEL_SPI	ON	ON	ON
	3	DISABLE_RGB	OFF	OFF	ON
	4				
	5	TFT_PS0	ON	OFF	OFF
	6	TFT_PS1	OFF	OFF	ON
	7	TFT_PS2	OFF	ON	ON
	8	TFT_PS3	OFF	OFF	ON
NOTE		ON: 0 ; OFF: 1			



Title			MPC830X-TLCD
Size	Document Number		Rev
B	MPC830X-TLCD		B
Date:	Friday, November 18, 2011	Sheet	3 of 3