

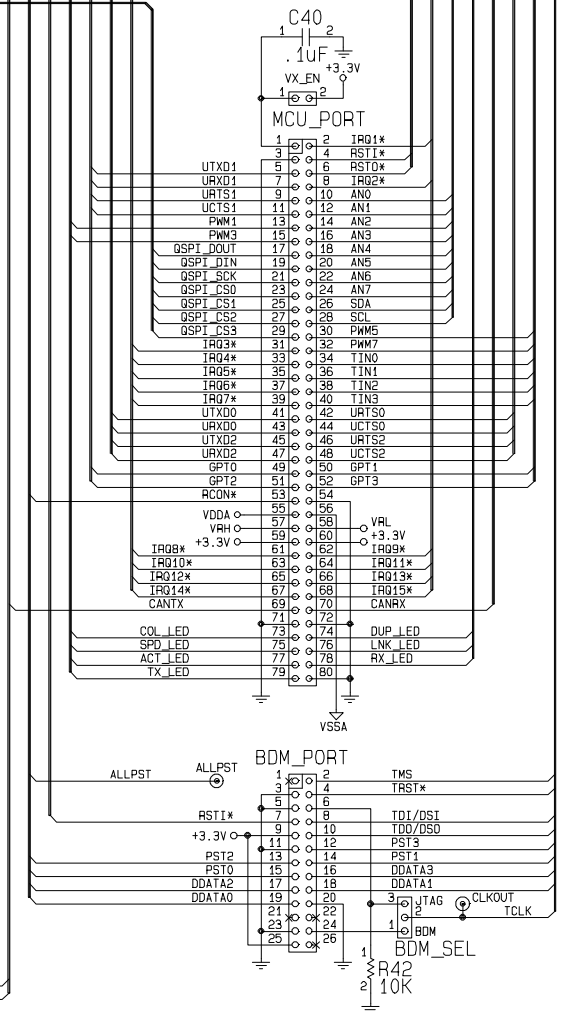
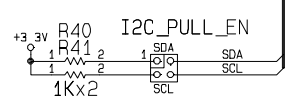
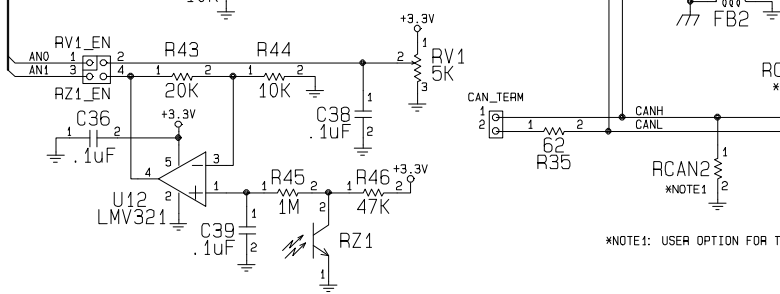
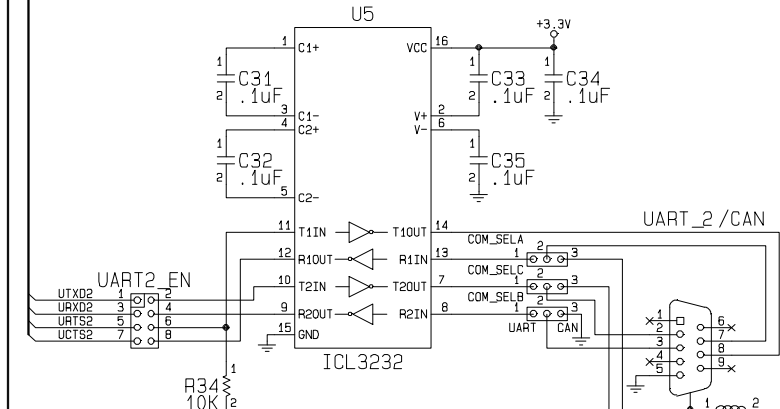
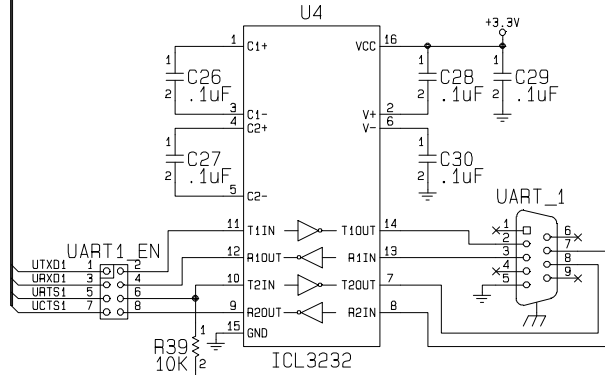
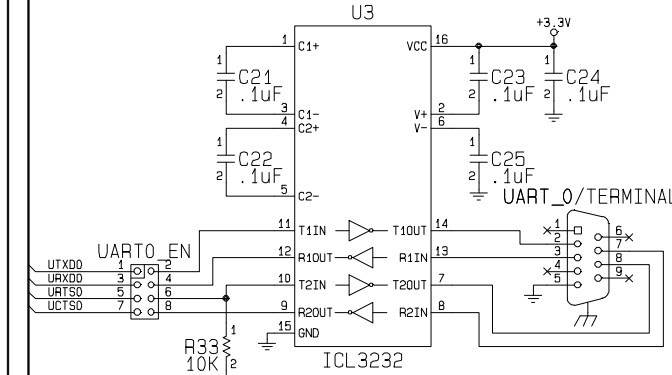


SHEET 1	DEBUG
SHEET 1	TIMER
SHEET 1	COMM
SHEET 1	CAN
SHEET 1	ETHERNET
SHEET 1	ADC
SHEET 1	INTERRUPT
SHEET 1	RESET
SHEET 1	QSPI

DEBUG	DEBUG
TIMER	TIMER
COMM	COMM
CAN	CAN
ETHERNET	ETHERNET
ADC	ADC
INTERRUPT	INTERRUPT
RESET	RESET
QSPI	QSPI

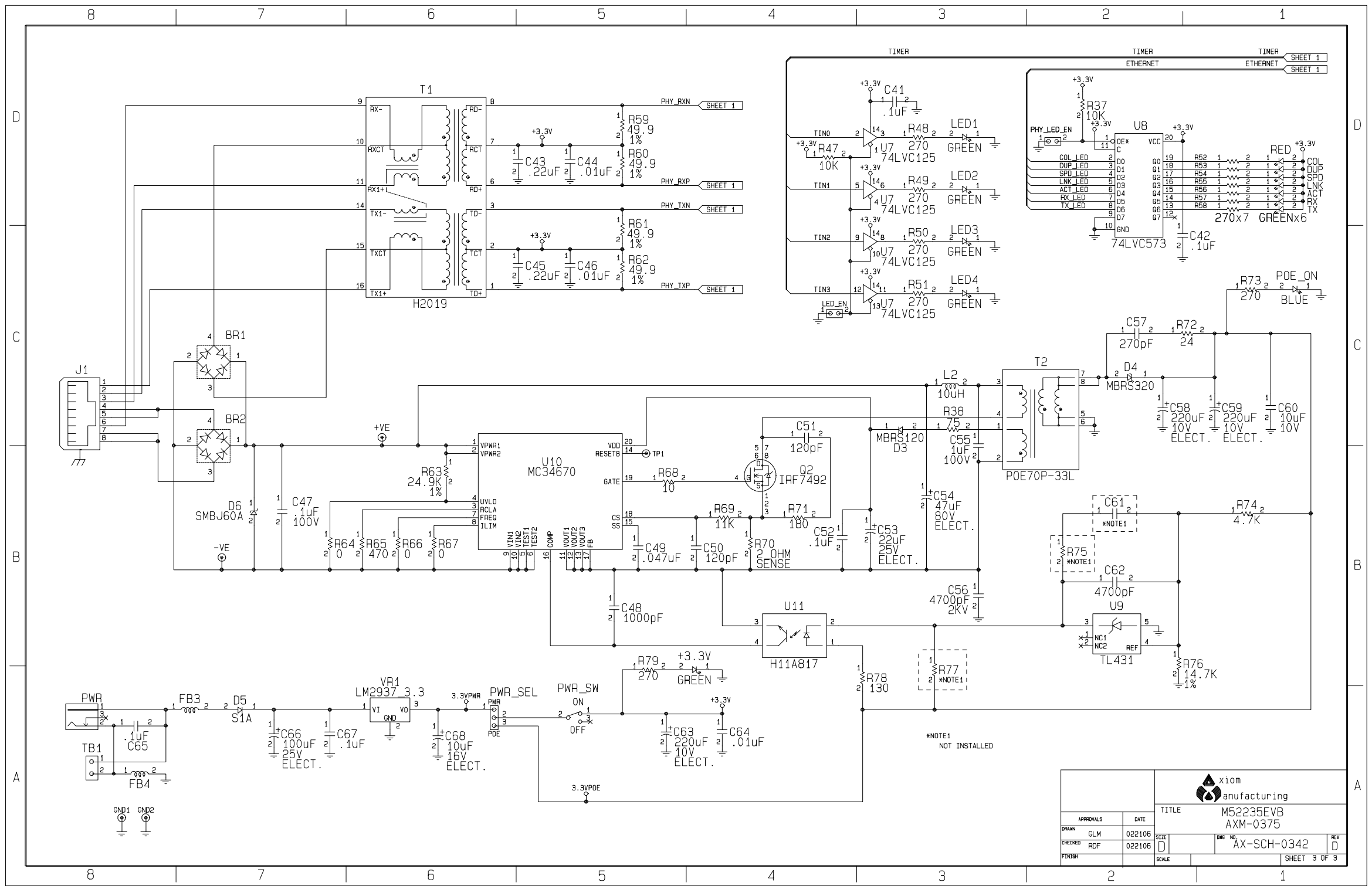
DEBUG	DEBUG
TIMER	TIMER
COMM	COMM
CAN	CAN
ETHERNET	ETHERNET
ADC	ADC
INTERRUPT	INTERRUPT
RESET	RESET
QSPI	QSPI

DEBUG	DEBUG
TIMER	TIMER
COMM	COMM
CAN	CAN
ETHERNET	ETHERNET
ADC	ADC
INTERRUPT	INTERRUPT
RESET	RESET
QSPI	QSPI



APPROVALS		DATE	TITLE	
GLM	RDF	022106	M52235EVB AXM-0375	
CHECKED	FINISH	022106	SIZE	DWG NO.
				AX-SCH-0342
			SCALE	SHEET 2 OF 3

*NOTE1: USER OPTION FOR TERMINATION



APPROVALS		DATE	TITLE	
DRAWN	GLM	022108	M52235EVB AXM-0375	
CHECKED	RDF	022106	SIZE	DWG NO.
FINISH			SCALE	AX-SCH-0342
			SHEET	3 OF 3

