
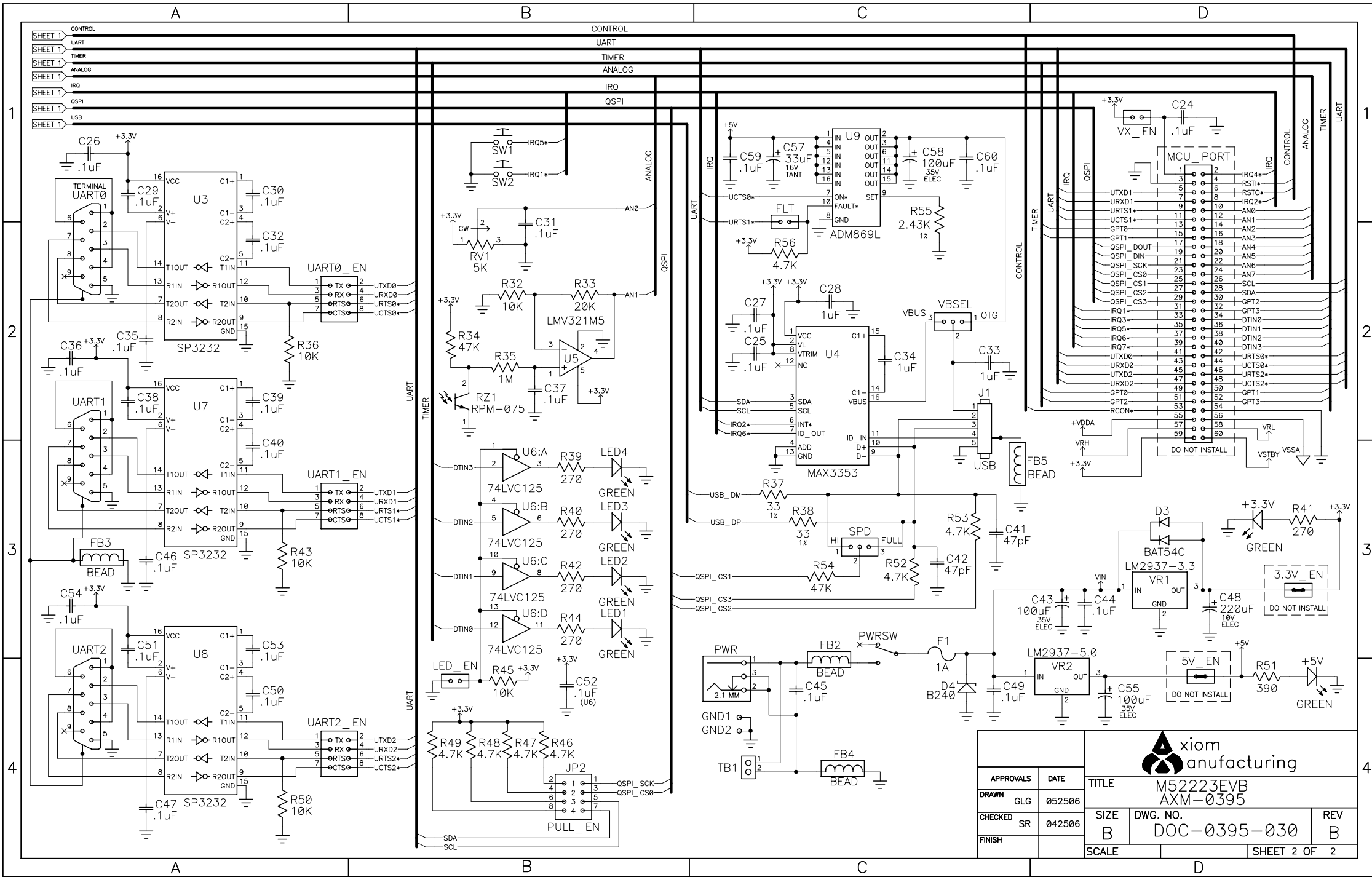


| | | | | | | |
|-----------|--|--------|--------|--|--------------|--------------|
| APPROVALS | | DATE | |  TITLE M5223EVb AXM-0395 | | |
| | | 052506 | | | | |
| DRAWN | | GLG | 042506 | B | DOC-0395-030 | B |
| CHECKED | | SR | | SCALE | | SHEET 1 OF 2 |
| FINISH | | | | | | |



| | | | | | |
|-----------|-----|--------|----------------------|--------------|--------------|
| APPROVALS | | DATE | TITLE | | |
| DRAWN | GLG | 052506 | M5223EVB AXM-0395 | | |
| CHECKED | SR | 042506 | SIZE | DWG. NO. | REV |
| FINISH | | | B | DOC-0395-030 | B |
| | | | SCALE | | SHEET 2 OF 2 |