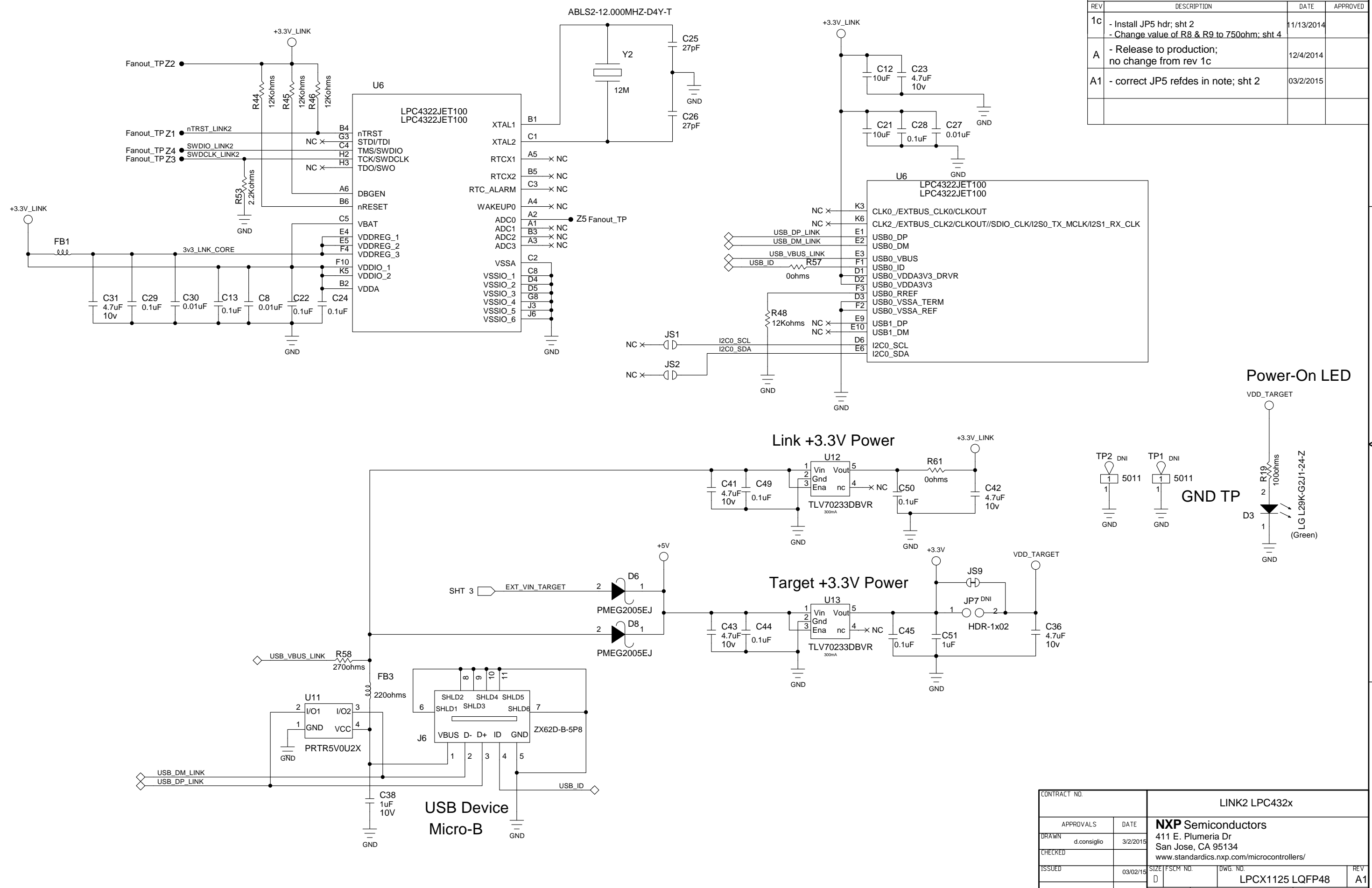
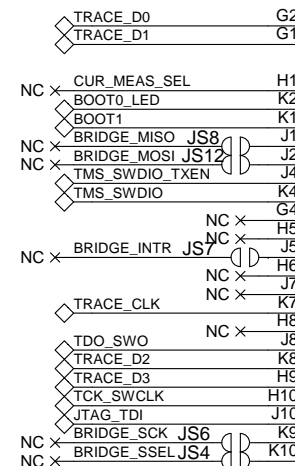
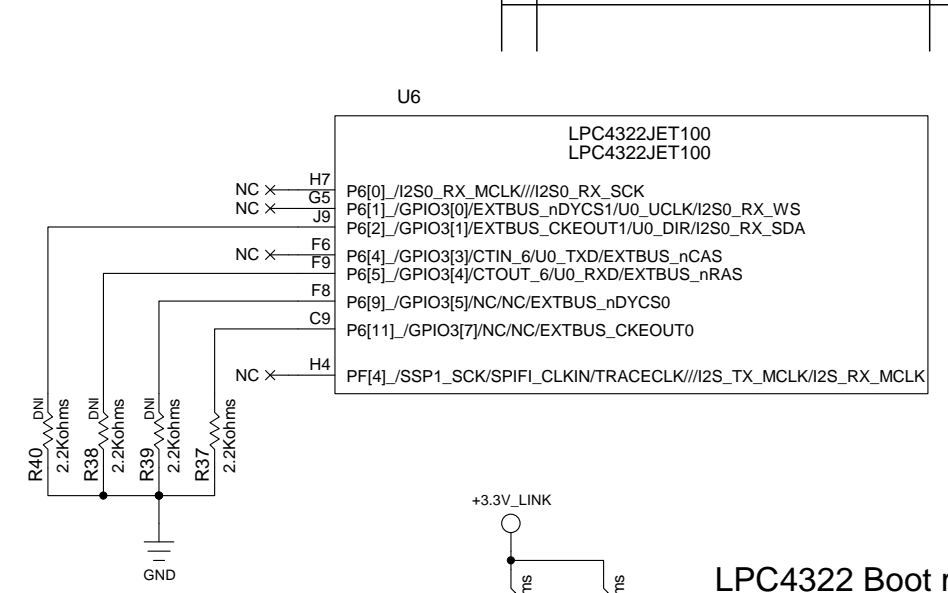
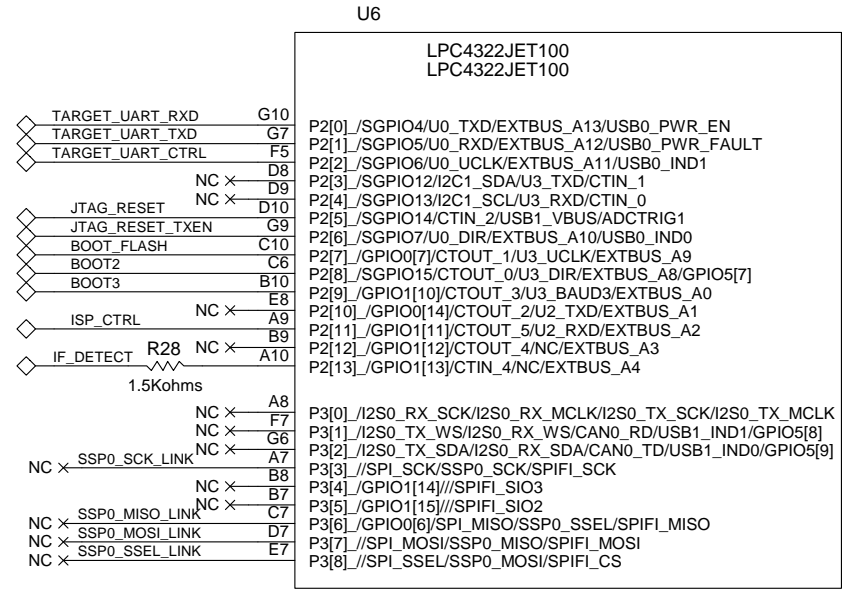
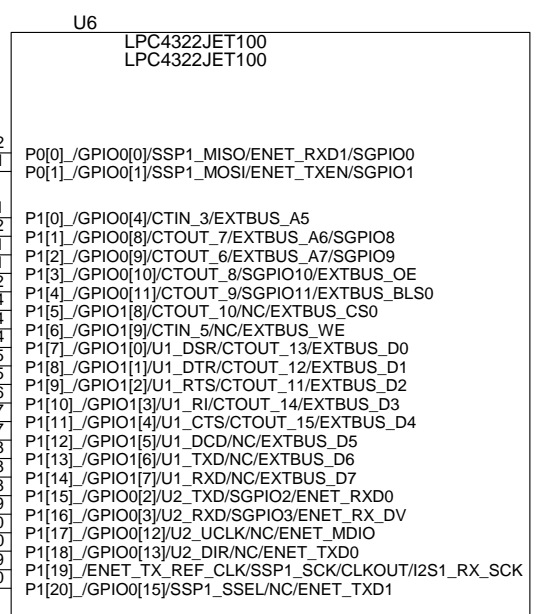


REVISIONS			
REV	DESCRIPTION	DATE	APPROVED
1c	- Install JP5 hdr; sht 2 - Change value of R8 & R9 to 750ohm; sht 4	11/13/2014	
A	- Release to production; no change from rev 1c	12/4/2014	
A1	- correct JP5 refdes in note; sht 2	03/2/2015	



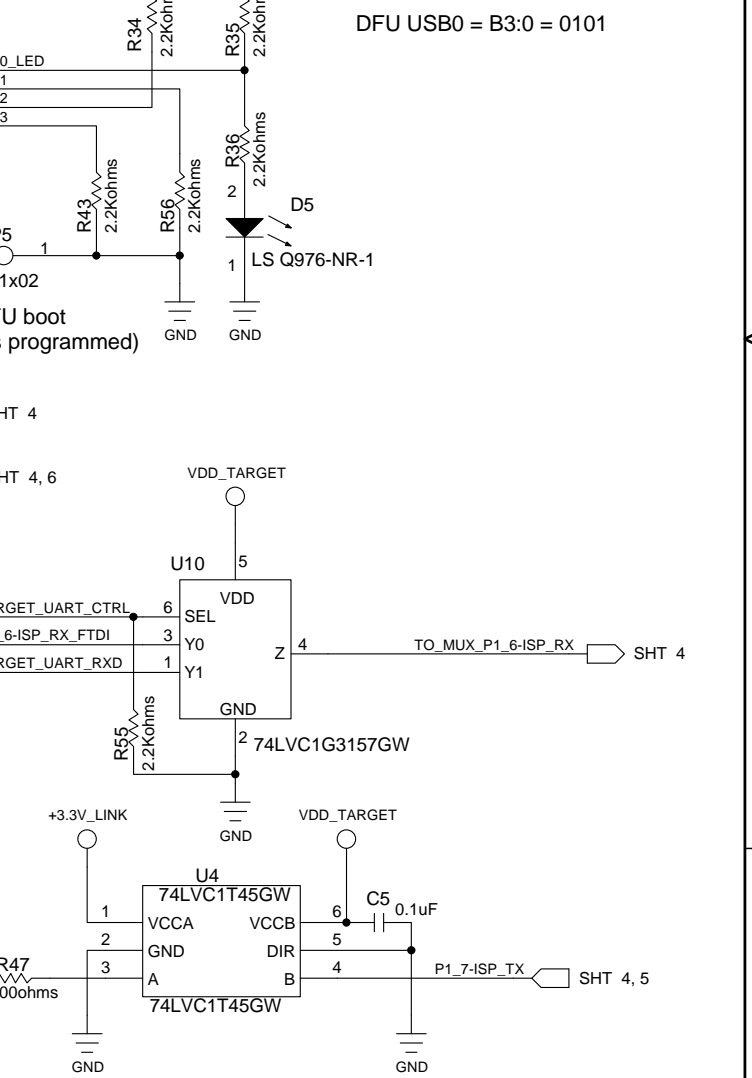
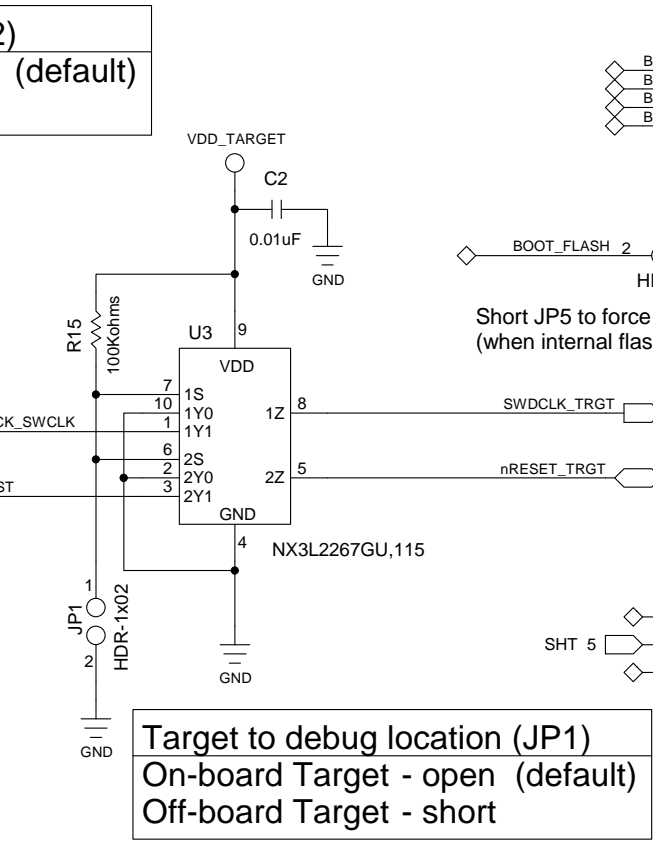
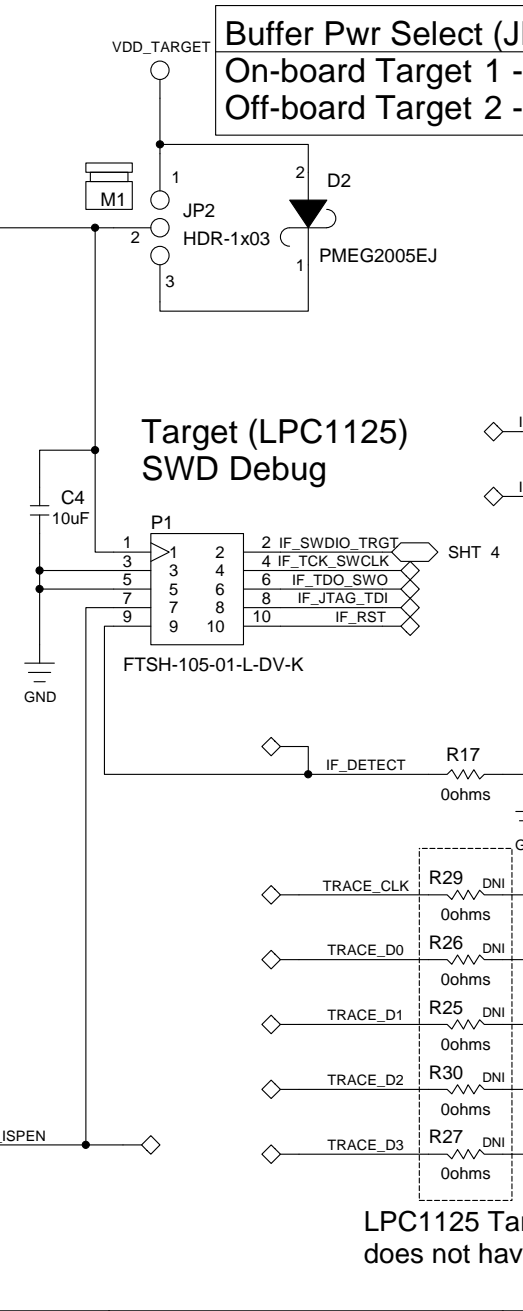
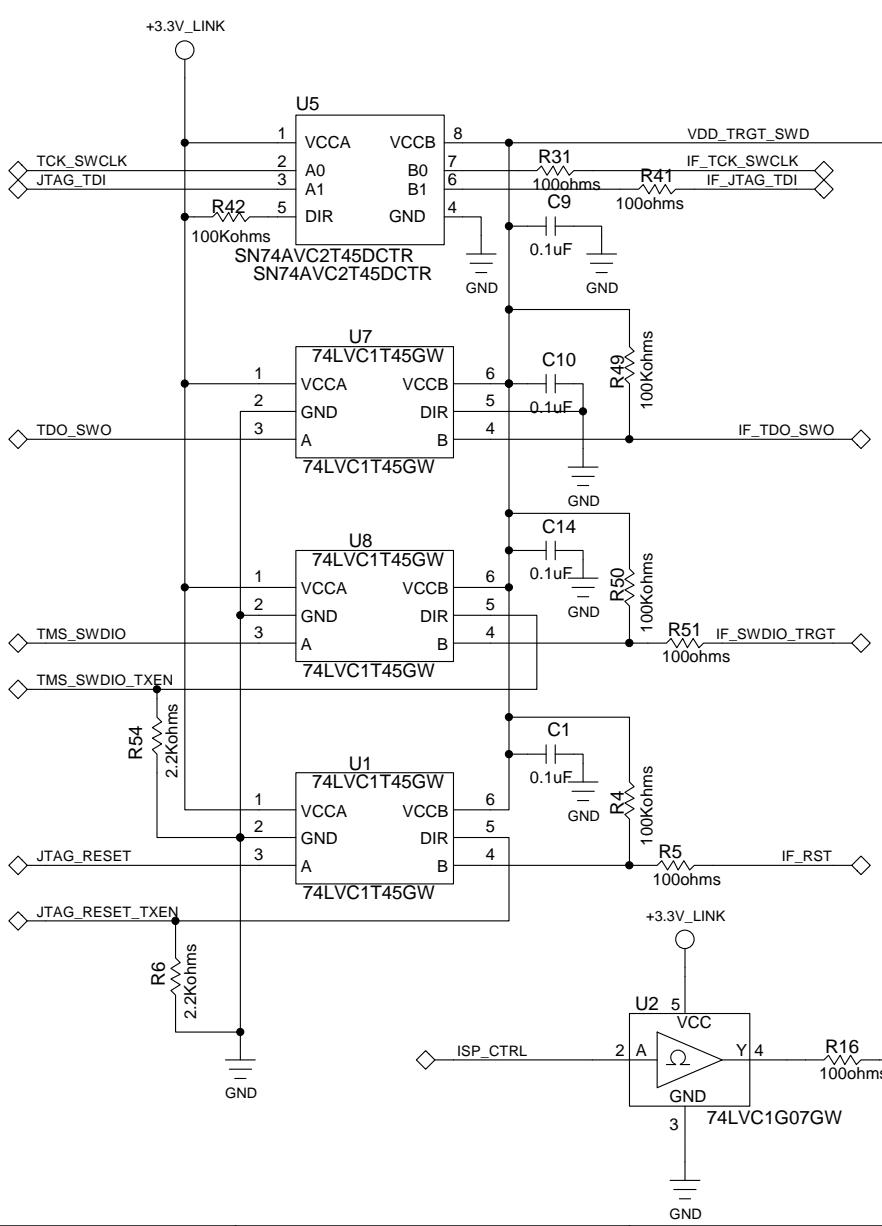
CONTRACT NO.		LINK2 LPC432x		
APPROVALS	DATE	NXP Semiconductors		
DRAWN	d.consiglio	411 E. Plumeria Dr		
CHECKED		San Jose, CA 95134		
ISSUED	03/02/15	SIZE	FSCM NO.	DWG. NO.
		D		LPCX1125 LQFP48
		SCALE		REV A1
				SHEET 1 OF 05

REVISIONS			
REV	DESCRIPTION	DATE	APPROVED



**Buffer Pwr Select (JP2)**  
On-board Target 1 - 2 (default)  
Off-board Target 2 - 3

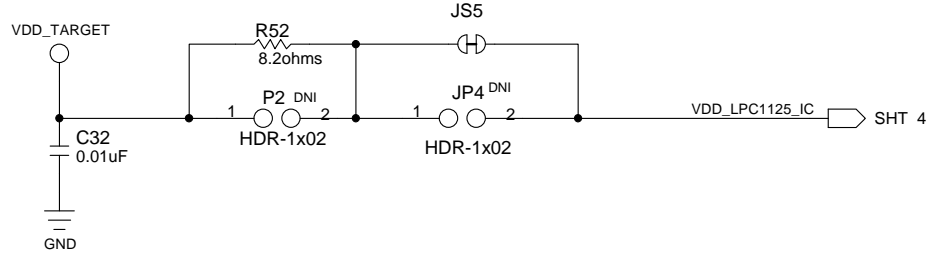
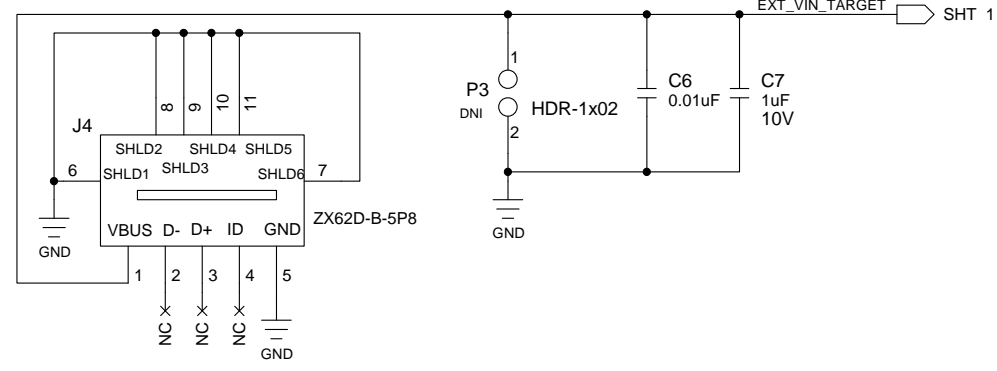
**LPC4322 Boot mode**  
DFU USB0 = B3:0 = 0101



CONTRACT NO.		LINK LPC432x Peripheral		
APPROVALS	DATE	NXP Semiconductors		
DRAWN d.consiglio	3/2/2015	411 E. Plumeria Dr San Jose, CA 95134 www.standardics.nxp.com/microcontrollers/		
CHECKED		SIZE	FSCM NO.	DWG. NO.
ISSUED	03/02/15	D		LPCX1125 LQFP48
		SCALE	SHEET	REV
			2 OF 05	A1

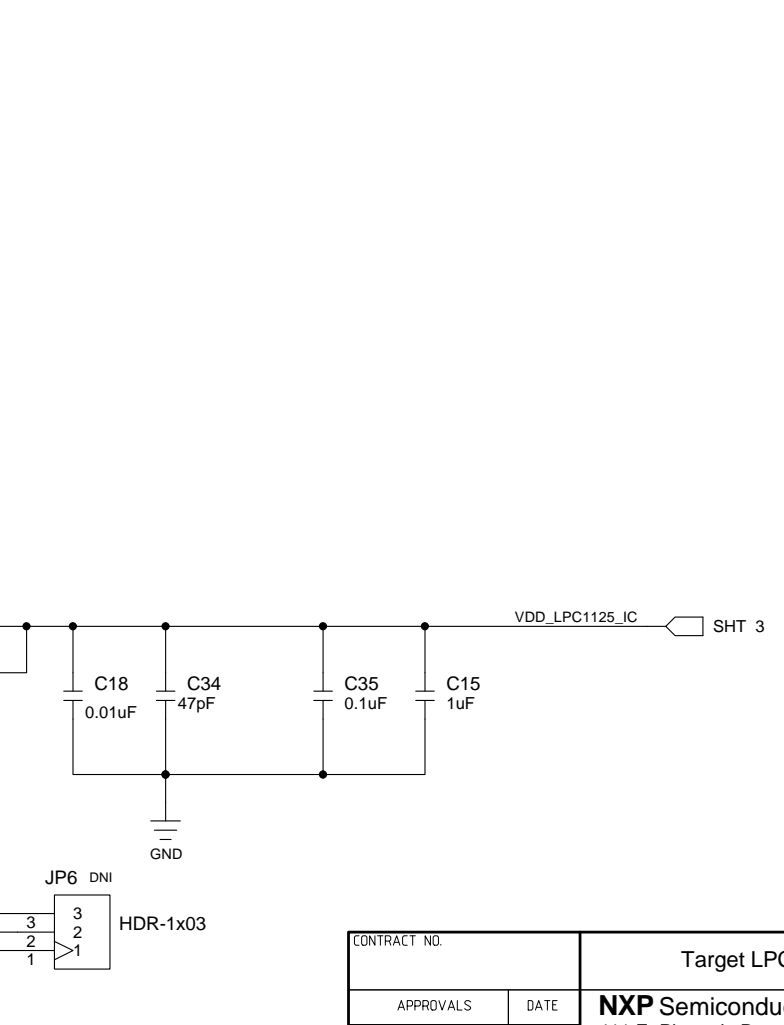
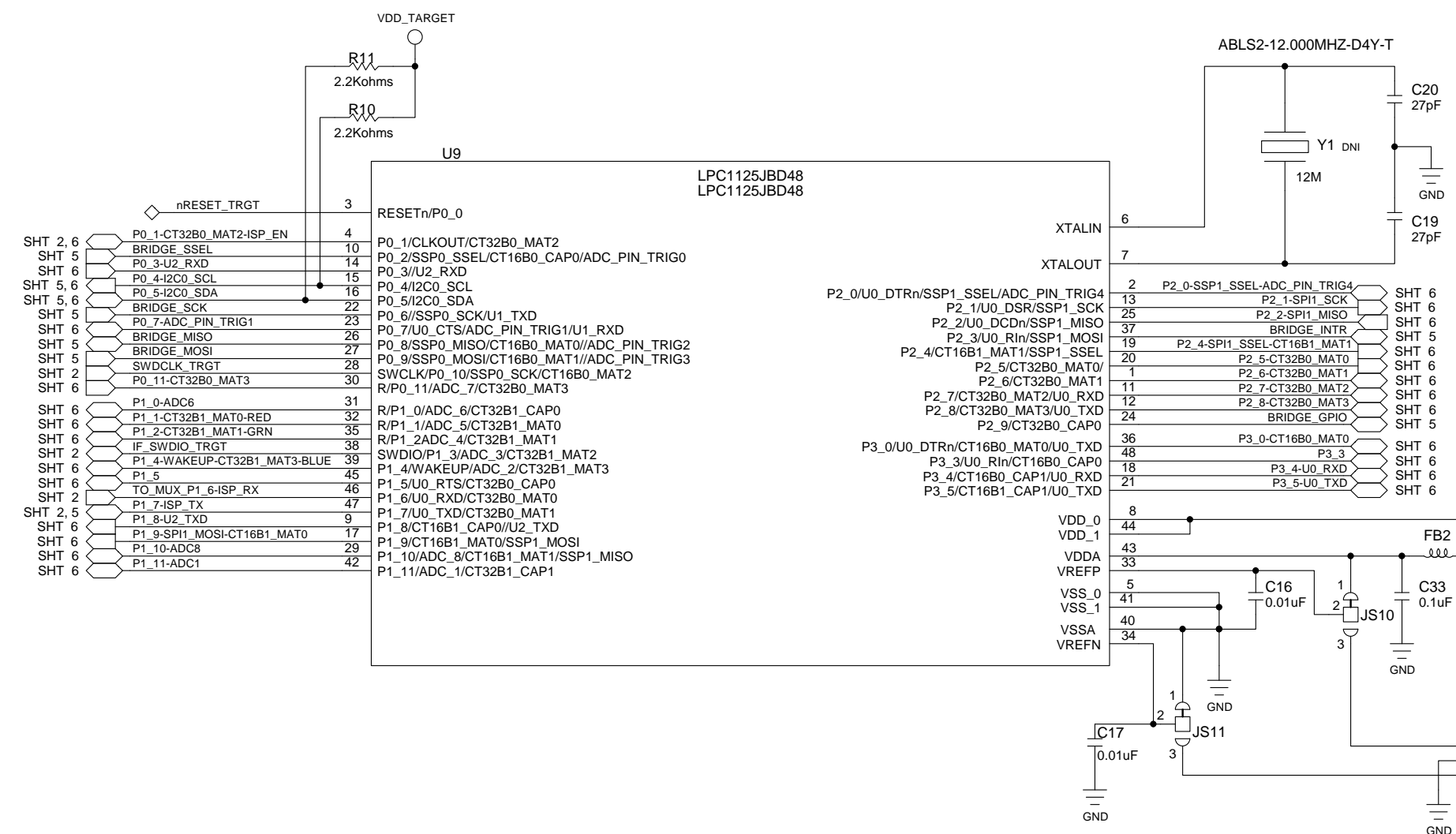
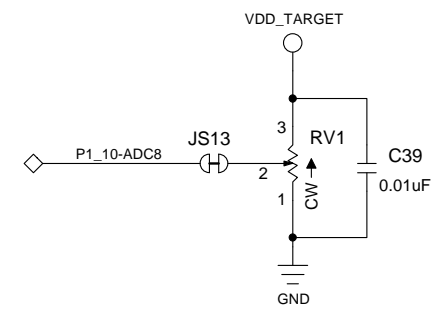
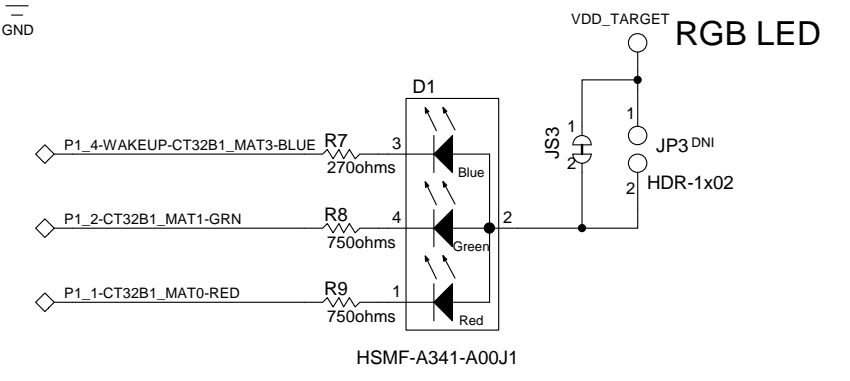
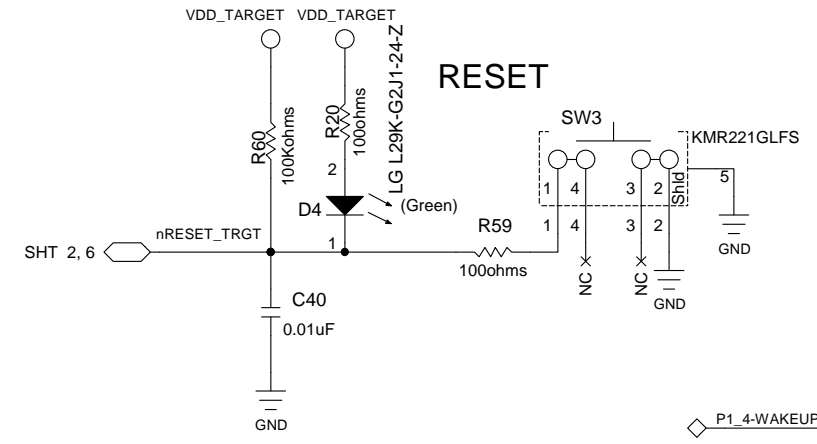
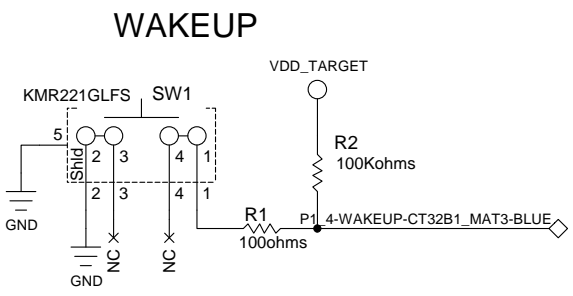
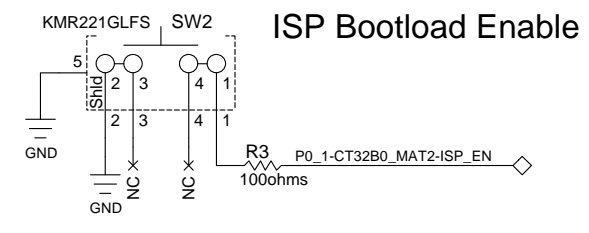
REVISIONS			
REV	DESCRIPTION	DATE	APPROVED

Target External Vin 5V



CONTRACT NO.		Target LPC1125 Power			
APPROVALS	DATE	<b>NXP Semiconductors</b> 411 E. Plumeria Dr San Jose, CA 95134 <a href="http://www.standardics.nxp.com/microcontrollers/">www.standardics.nxp.com/microcontrollers/</a>			
DRAWN	d.consiglio				12/4/2014
CHECKED					
ISSUED	03/02/15	SIZE	FSCM NO.	DWG. NO.	
		D		LPCX1125 LQFP48	
		SCALE		REV	
				A1	
				SHEET 3 OF 05	

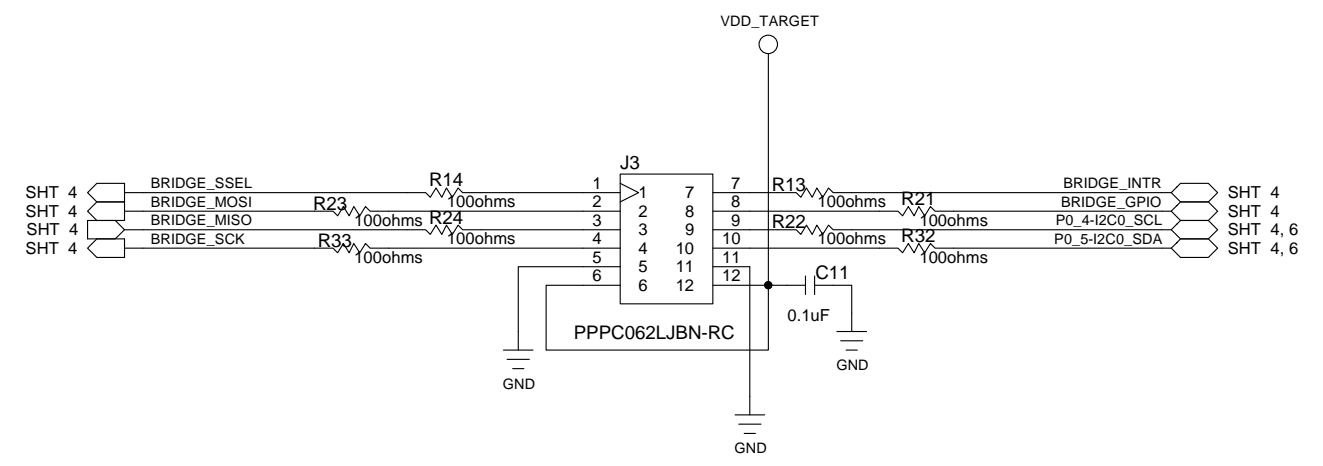
REVISIONS			
REV	DESCRIPTION	DATE	APPROVED



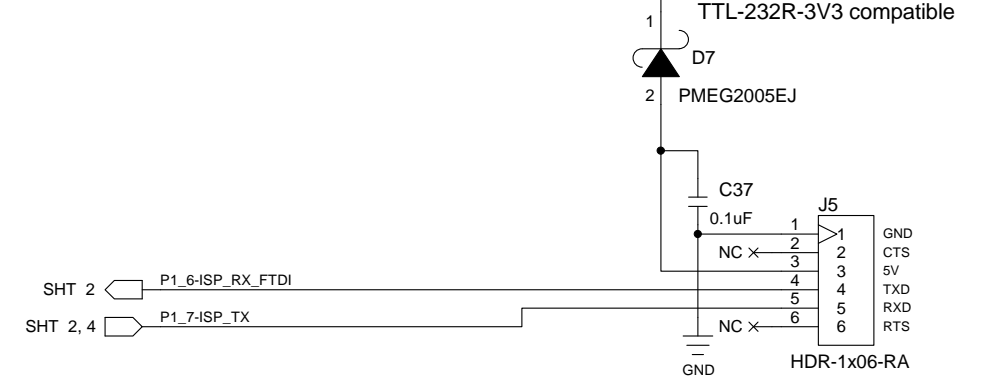
CONTRACT NO.		Target LPC1125 Peripheral	
APPROVALS	DATE	NXP Semiconductors	
DRAWN d.consiglio	12/4/2014	411 E. Plumeria Dr San Jose, CA 95134 www.standardics.nxp.com/microcontrollers/	
CHECKED		SIZE	REV
ISSUED	03/02/15	D	A1
		SCALE	SHEET 4 OF 05

REVISIONS			
REV	DESCRIPTION	DATE	APPROVED

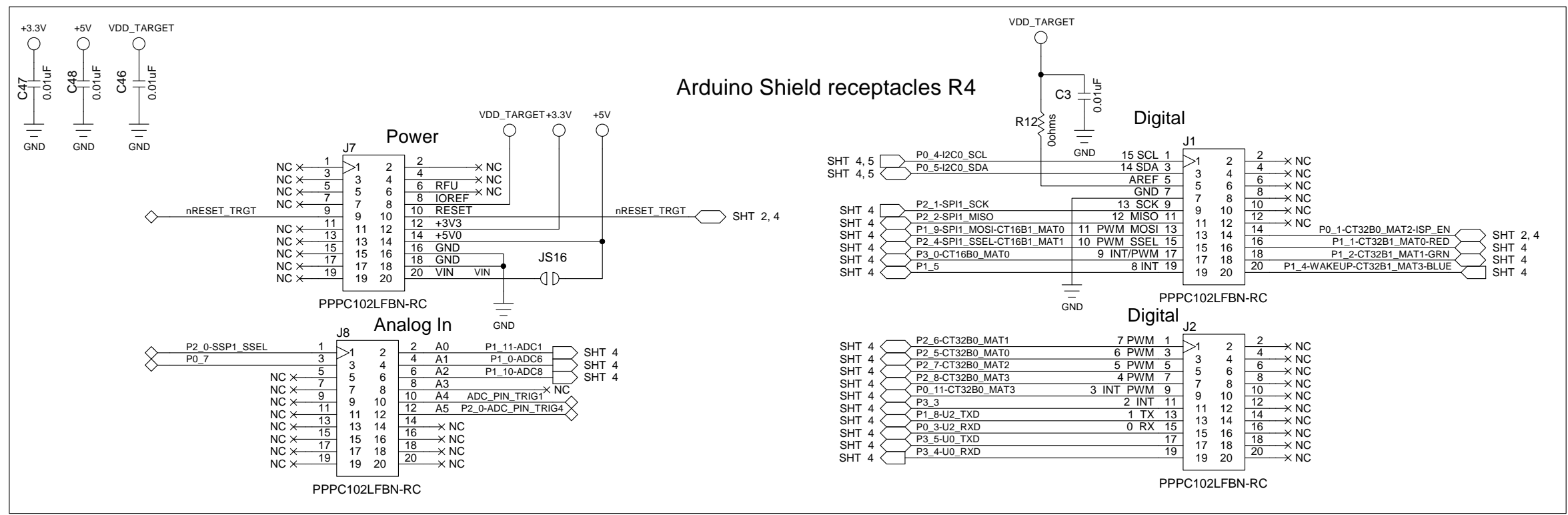
### SPI / I2C brdge header (PMOD compatible)



### UARTto FTDI USB



### Arduino Shield receptacles R4



CONTRACT NO.		Pmod / FTDI / Arduino	
APPROVALS	DATE	<b>NXP Semiconductors</b> 411 E. Plumeria Dr San Jose, CA 95134 www.standardics.nxp.com/microcontrollers/	
DRAWN	d.consiglio		
CHECKED			
ISSUED	03/02/15	SIZE / FSCM NO.	DWG. NO.
		LPCX1125 LQFP48 A1	
		SCALE	SHEET 5 OF 05