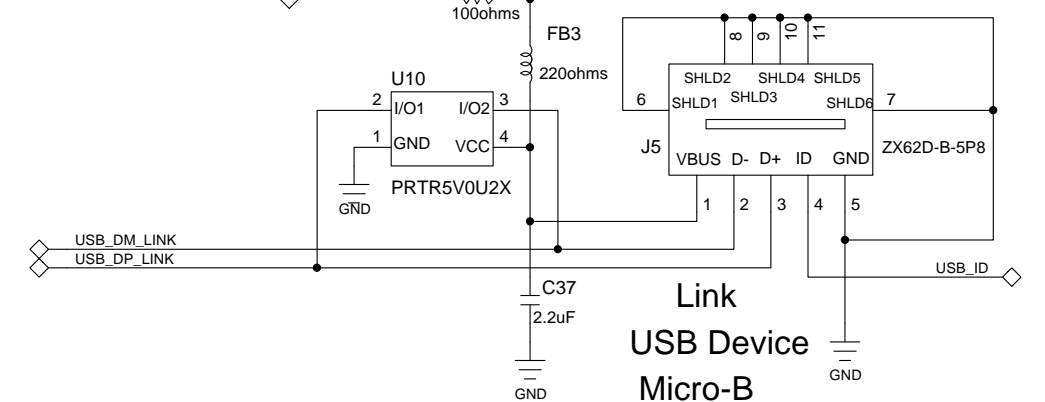
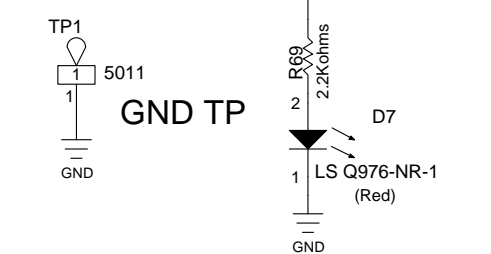
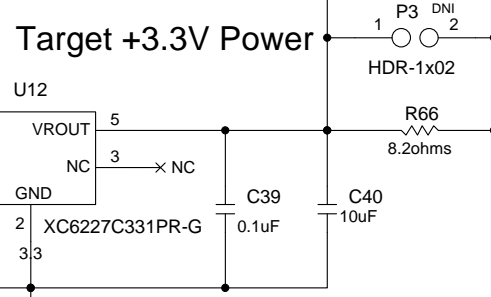
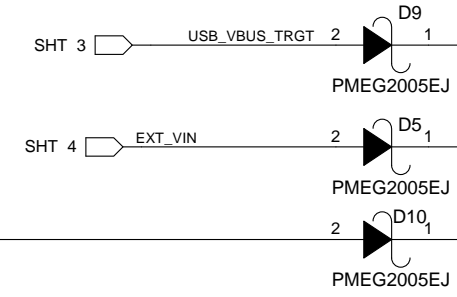
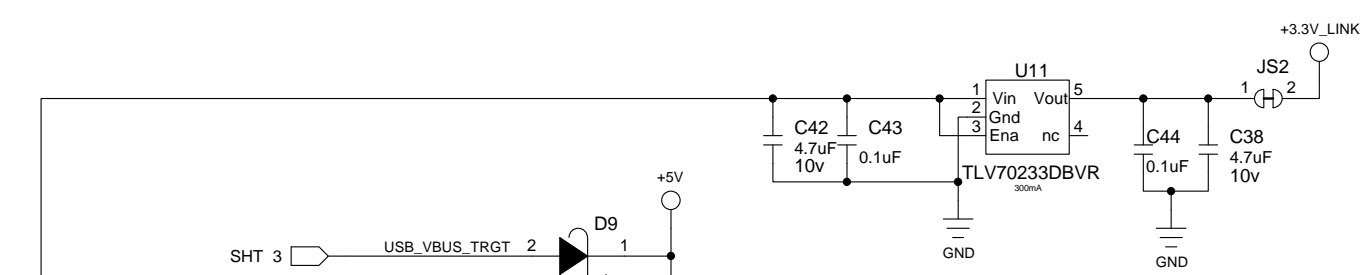
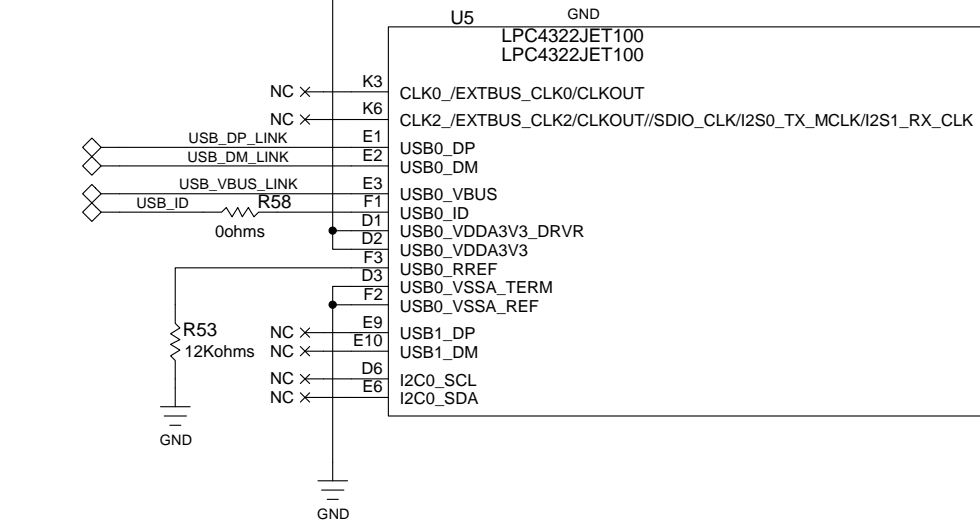
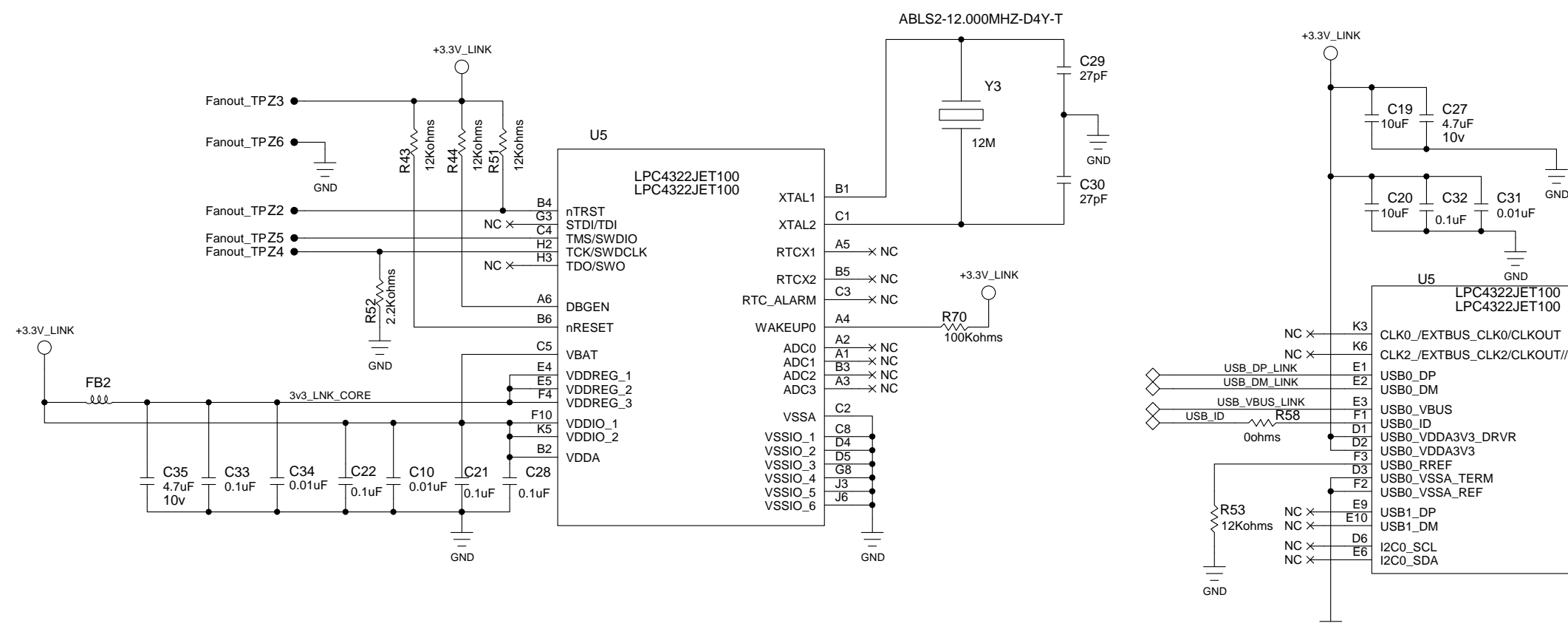
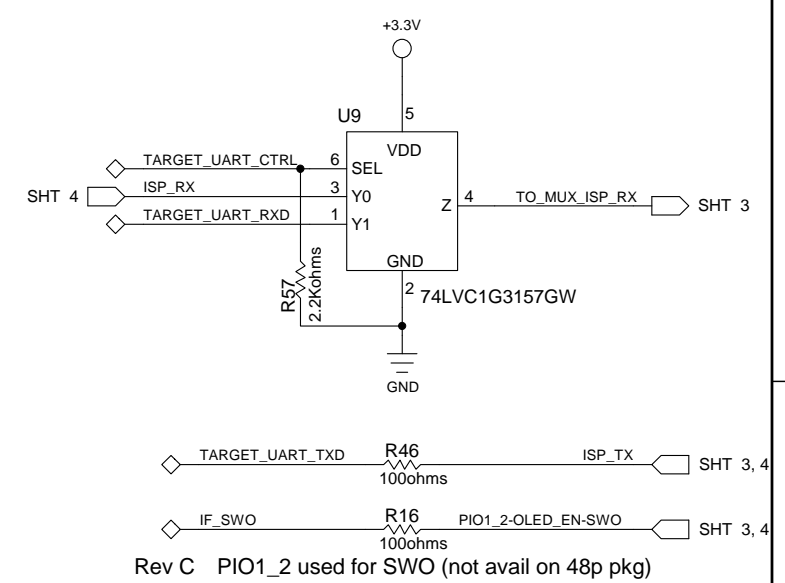
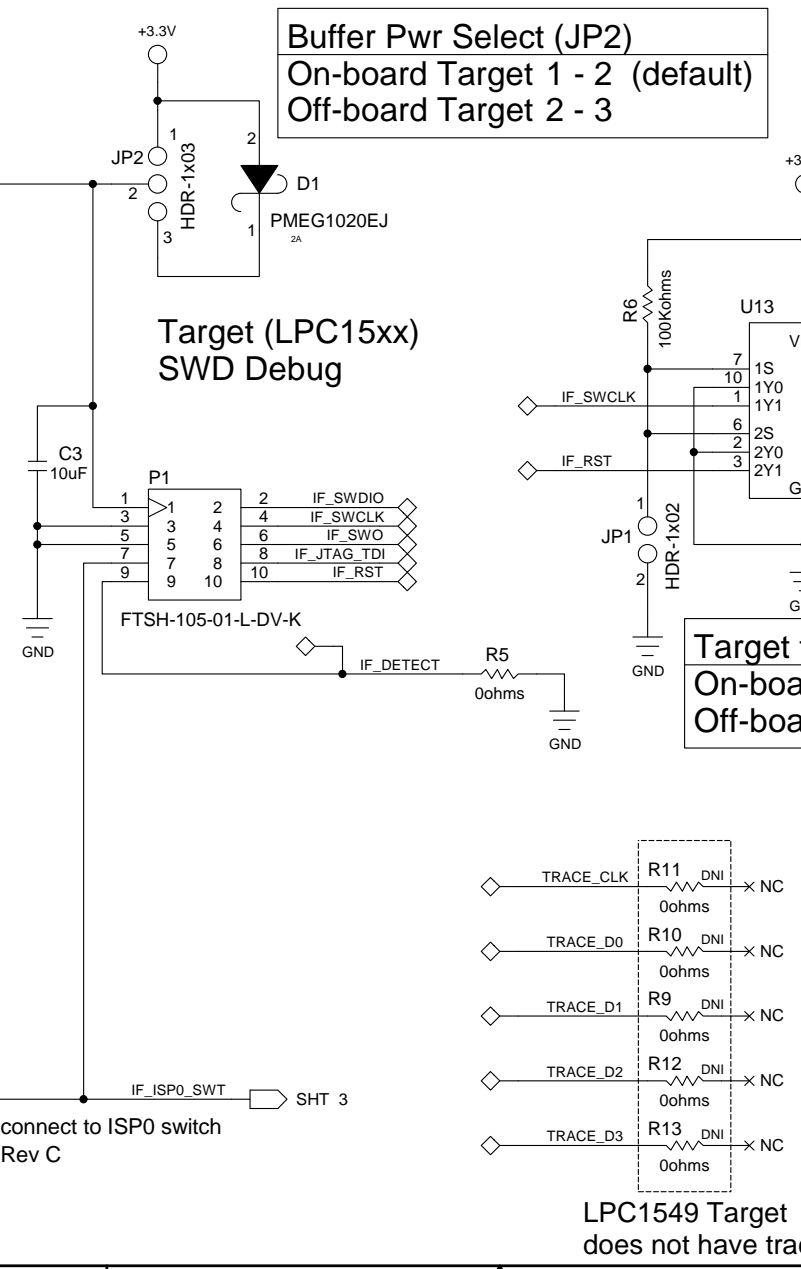
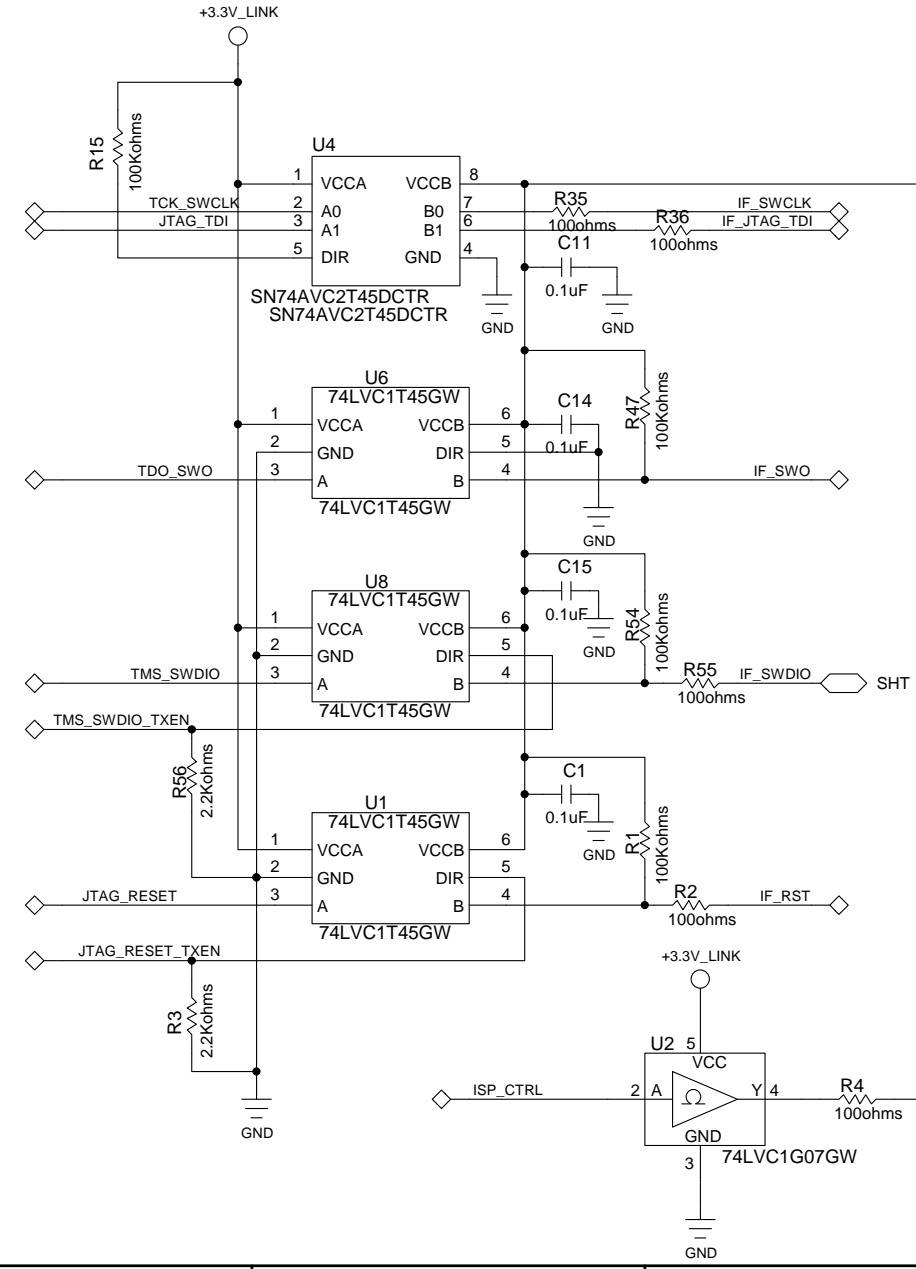
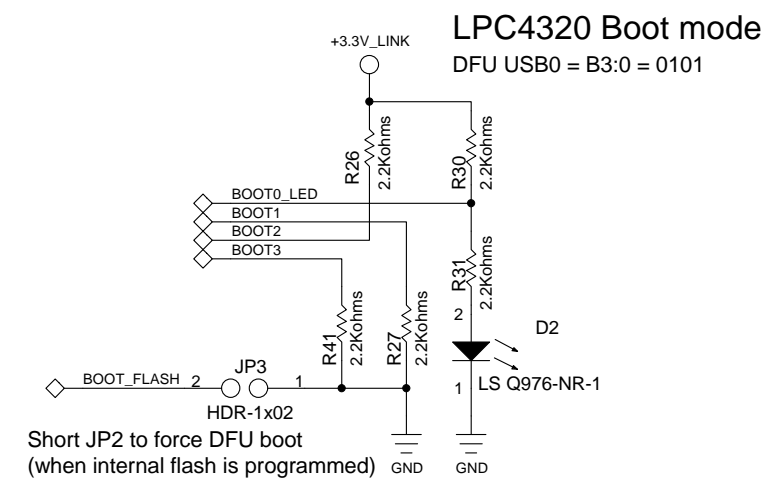
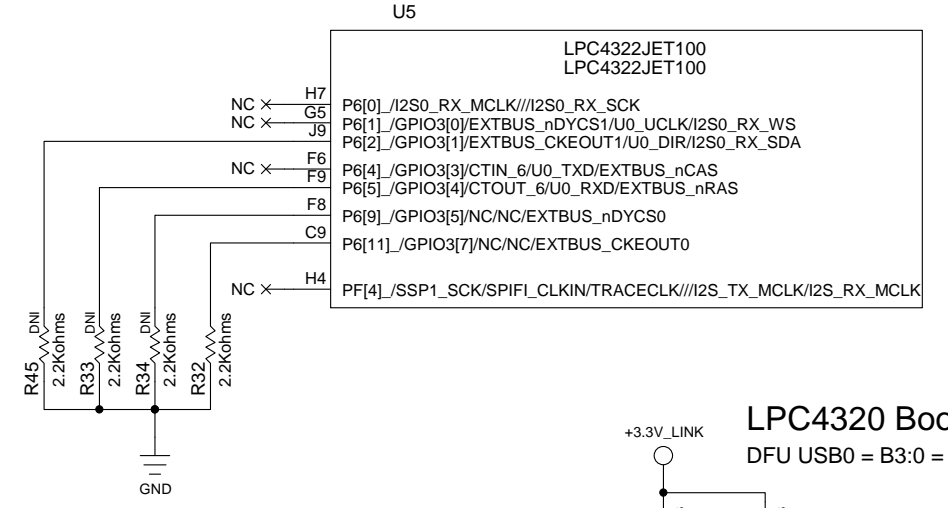
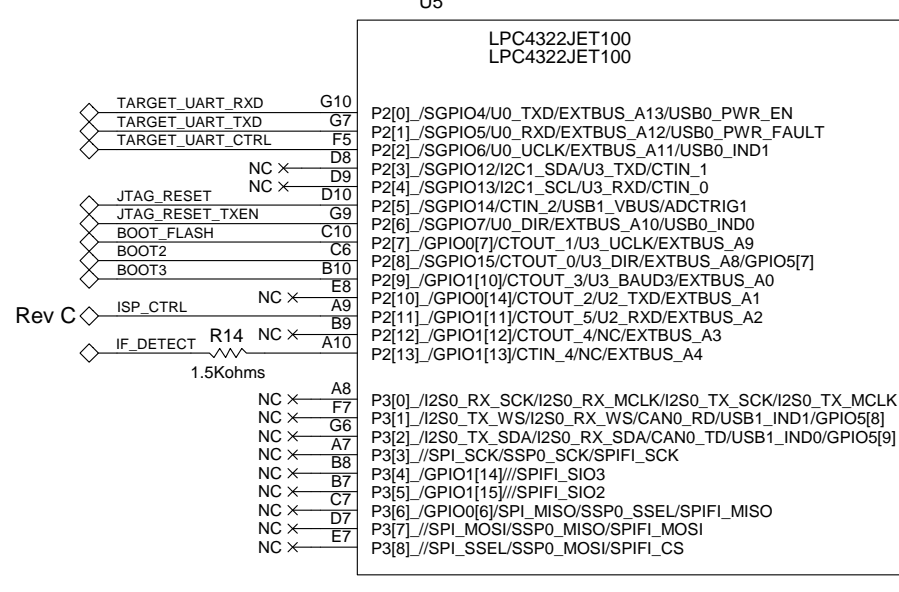
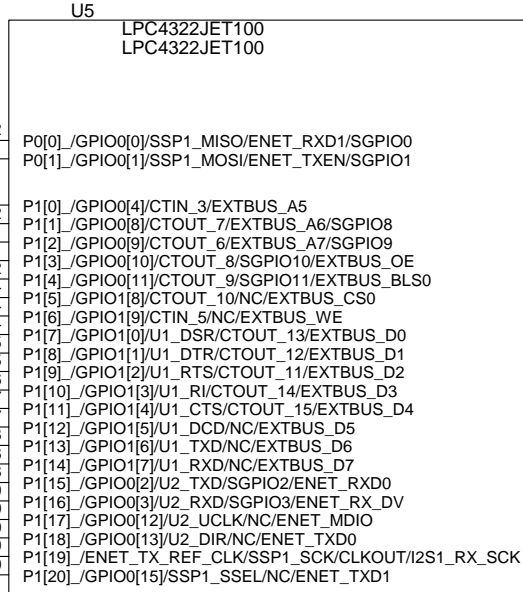


REVISIONS			
REV	DESCRIPTION	DATE	APPROVED
C	- Link2 ISP_CTL moved to LPC43xx P2_11; sht 2 - IF_ISP_CTL (U2) moved to Target ISP0 SW3; sht 2 - Target current measurement circuit changed; sht 1 - Target PIO1_2 used for SWO; sht 2,3 - Target PIO1_9 used for J2 TX; sht 4 - Target PIO1_10 used for J2 RX; sht 4 - D8 green current limit res now 1.5kohm; sht 3 - D8 red current limit res now 750ohm; sht 3 - D8 blue current limit res now 750ohm; sht 3 - Remove I2C SDA & SCL from J7; sht 4 - Move PIO0_7 from J7-2 to J7-6; sht 4 - Move PIO0_6 from J7-3 to J7-5; sht 4 - Add solder jumper between VIN & +5V; sht 4 - Change micro-USB J3, J5 to thru-hole mount; sht 1,3 - Use Target PIO0_14 for Arduino Dig13; sht 4 - Change Pmod pins 9, 10 to MCU port with I2C; sht 4	11/13/2014	



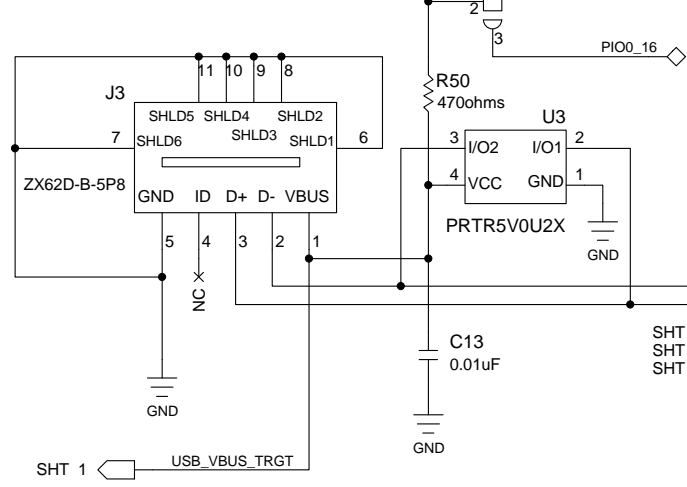
CONTRACT NO.		LINK LPC4322	
APPROVALS	DATE	NXP Semiconductors	
DRAWN	d.consiglio	411 E. Plumeria Dr	
CHECKED		San Jose, CA 95134	
ISSUED	11/14/14	www.standardics.nxp.com/microcontrollers/	
SCALE		SIZE	D
		DWG. NO.	Xpresso-LPC1549
		REV	C
		SHEET	1 OF 04

REVISIONS			
REV	DESCRIPTION	DATE	APPROVED

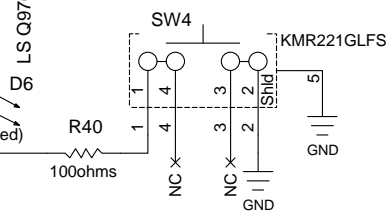


CONTRACT NO.		LINK LPC4322	
APPROVALS	DATE	NXP Semiconductors	
DRAWN d.consiglio	12/12/2014	411 E. Plumeria Dr San Jose, CA 95134 www.standardics.nxp.com/microcontrollers/	
CHECKED		SIZE D	FSCM NO. Xpresso-LPC1549
ISSUED	11/14/14	DWG NO.	REV C
		SCALE	SHEET 2 OF 04

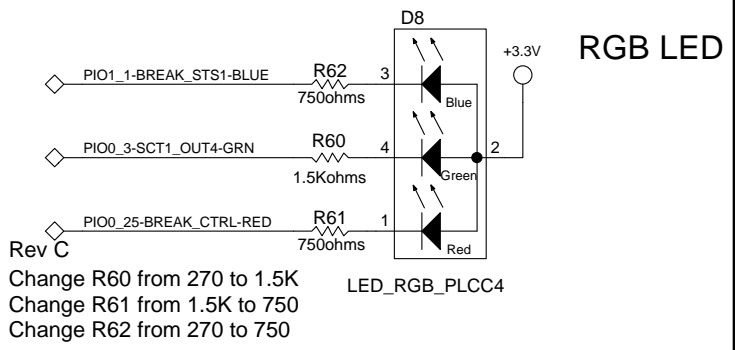
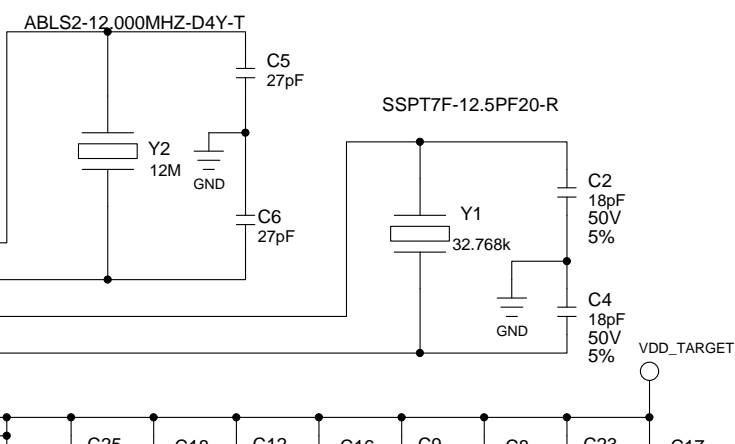
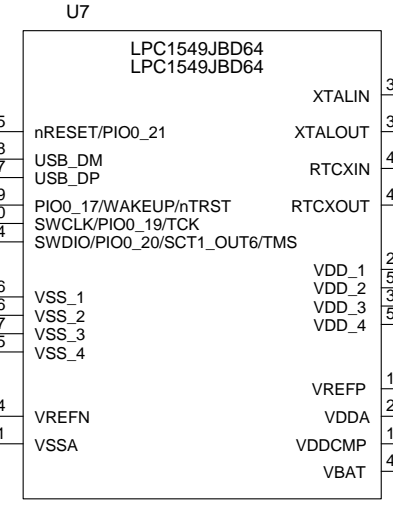
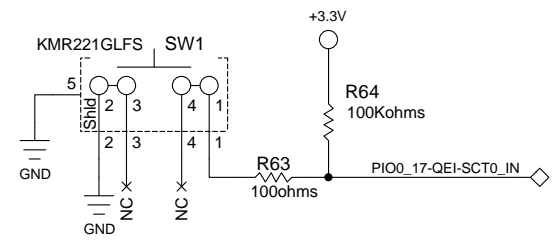
Target USB Device Micro-B



RESET



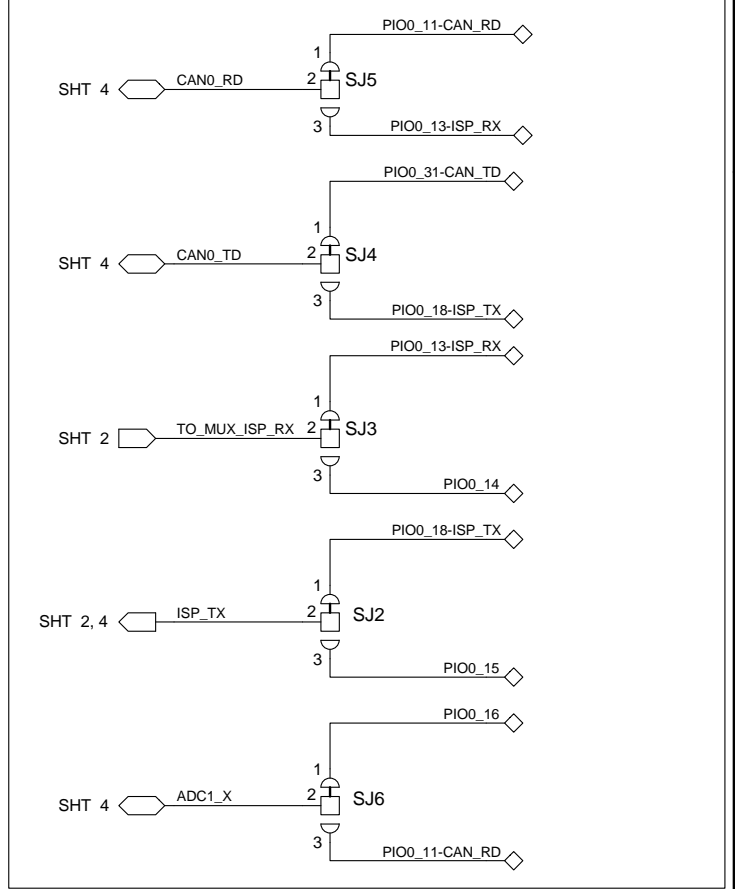
WAKEUP



Rev C
 Change R60 from 270 to 1.5K
 Change R61 from 1.5K to 750
 Change R62 from 270 to 750

Solder bump jumpers Default set by 0ohm resistor

U7 LQFP64 = 1-2
 U7 LQFP48 = 2-3

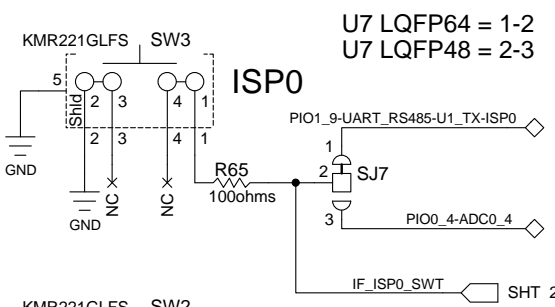


Rev C
 use PIO1_2 for SWO.
 use PIO1_9 for Arduino UART_TX
 use PIO1_10 for Arduino UART_RX

SHT	Pin	Function
SHT 4	4	PIO1_0-SCT_OUT
SHT 4	15	PIO1_1-BREAK_STS1-BLUE
SHT 4	25	PIO1_2-OLED_EN-SWO
SHT 2, 4	28	PIO1_3-ADC1_5
SHT 4	33	PIO1_4-JOY_L
SHT 4	34	PIO1_5-JOY_C
SHT 4	46	PIO1_6-ACMP_I2-JOY_R
SHT 4	51	PIO1_7-JOY_U
SHT 4	53	PIO1_8-ACMP3_I3-JOY_D
SHT 4	54	PIO1_9-UART_RS485-U1_TX-ISP0
SHT 4	59	PIO1_10-RS485_RTS-U1-RX
SHT 4	38	PIO1_11-USB-VBUS-ISP1

Pin	Function
2	PIO0_0/ADC0_10/SCT0_OUT3
5	PIO0_1-SCT0_OUT4
6	PIO0_2-QUEI-SCT0_IN
7	PIO0_3-SCT1_OUT4-GRN
8	PIO0_4-ADC0_4
9	PIO0_5-ADC0_3
10	PIO0_6-ADC0_2-SCT0_OUT0
11	PIO0_7-ADC0_1
12	PIO0_8-ADC0_0
16	PIO0_9-ADC1_1
19	PIO0_10-ADC1_2
23	PIO0_11-CAN_RD
24	PIO0_12-AIN_CTRL
29	PIO0_13-ISP_RX

BOOT LOAD



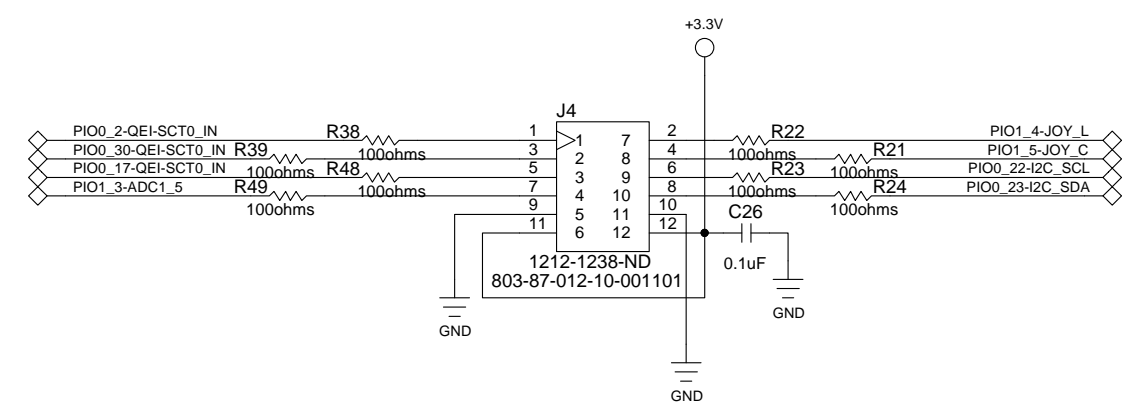
BOOT MODE	ISP1	ISP0
FLASH	high	high
CAN *	low	high
USB	high	low
UART0 *	low	low

* Note: Do not power the board from Target USB connector (J3) for ISP boot from CAN or UART. Instead, power the board from Link USB (J5).

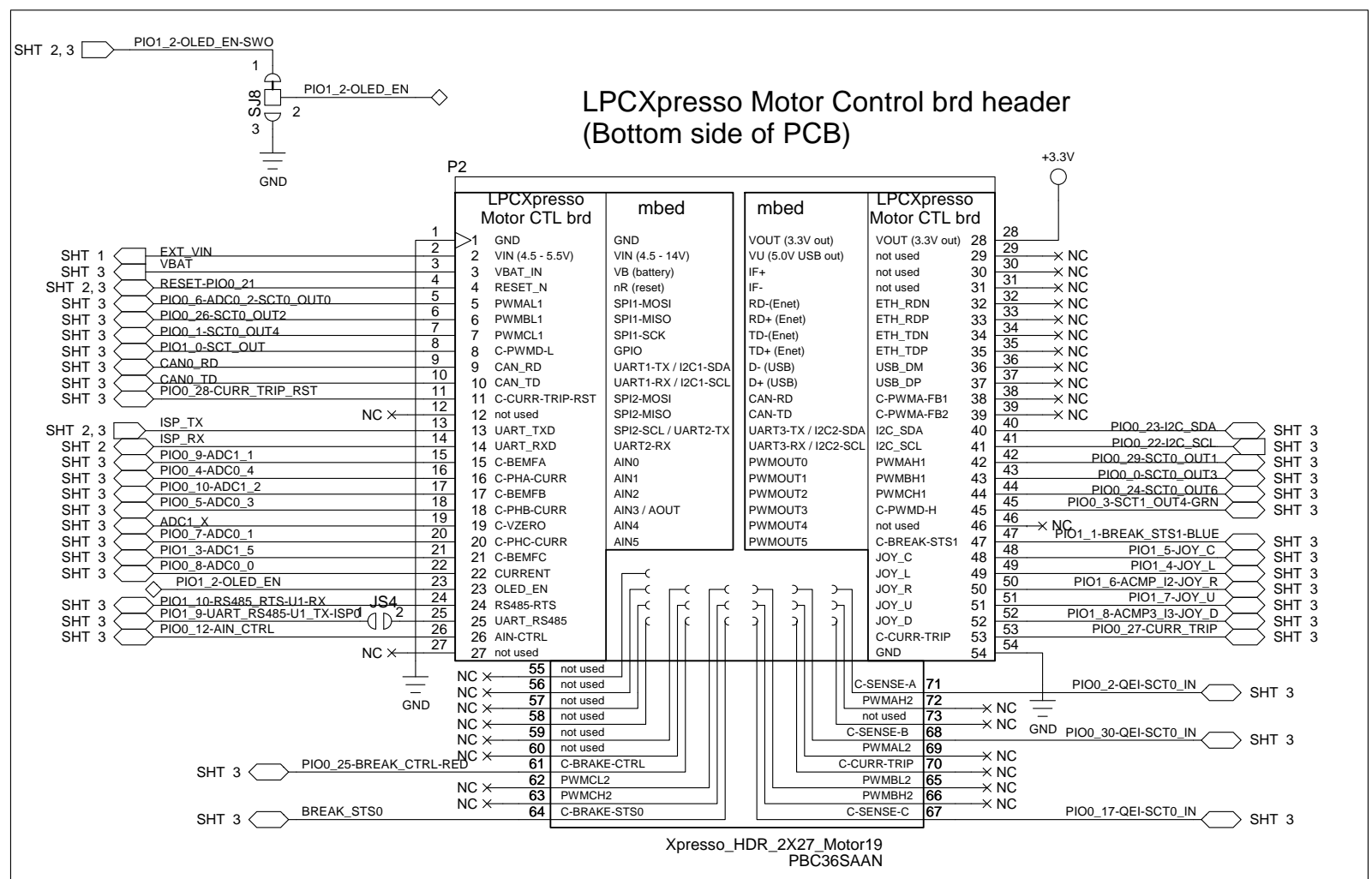
CONTRACT NO.		Target LPC1549	
APPROVALS	DATE	NXP Semiconductors	
DRAWN	12/12/2014	411 E. Plumeria Dr	
CHECKED		San Jose, CA 95134	
ISSUED	11/14/14	www.standardics.nxp.com/microcontrollers/	
SCALE		SIZE	FSCM NO.
		DWG. NO.	Xpresso-LPC1549
		REV	C
		SHEET	3 OF 04

REVISIONS			
REV	DESCRIPTION	DATE	APPROVED

PMOD compatible header

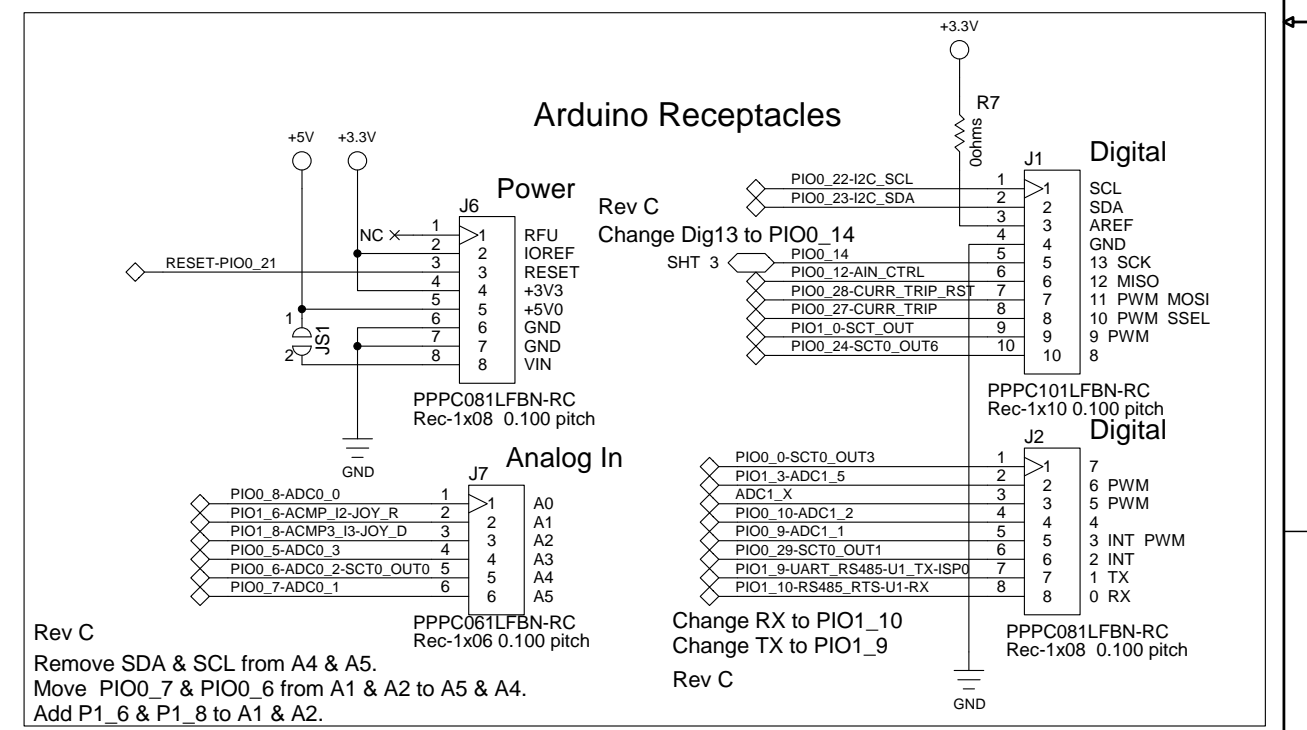


LPCXpresso Motor Control brd header (Bottom side of PCB)



Xpresso_HDR_2X27_Motor19 PBC36SAAN

Arduino Receptacles



Rev C
Remove SDA & SCL from A4 & A5.
Move PIO0_7 & PIO0_6 from A1 & A2 to A5 & A4.
Add P1_6 & P1_8 to A1 & A2.

CONTRACT NO.		Xpresso MC/Arduino/PMOD headers	
APPROVALS	DATE	NXP Semiconductors 411 E. Plumeria Dr San Jose, CA 95134 www.standardics.nxp.com/microcontrollers/	
DRAWN	12/12/2014		
CHECKED		SIZE	D
ISSUED	11/14/14	DWG. NO.	Xpresso-LPC1549
		REV	C
		SCALE	SHEET 4 OF 04