



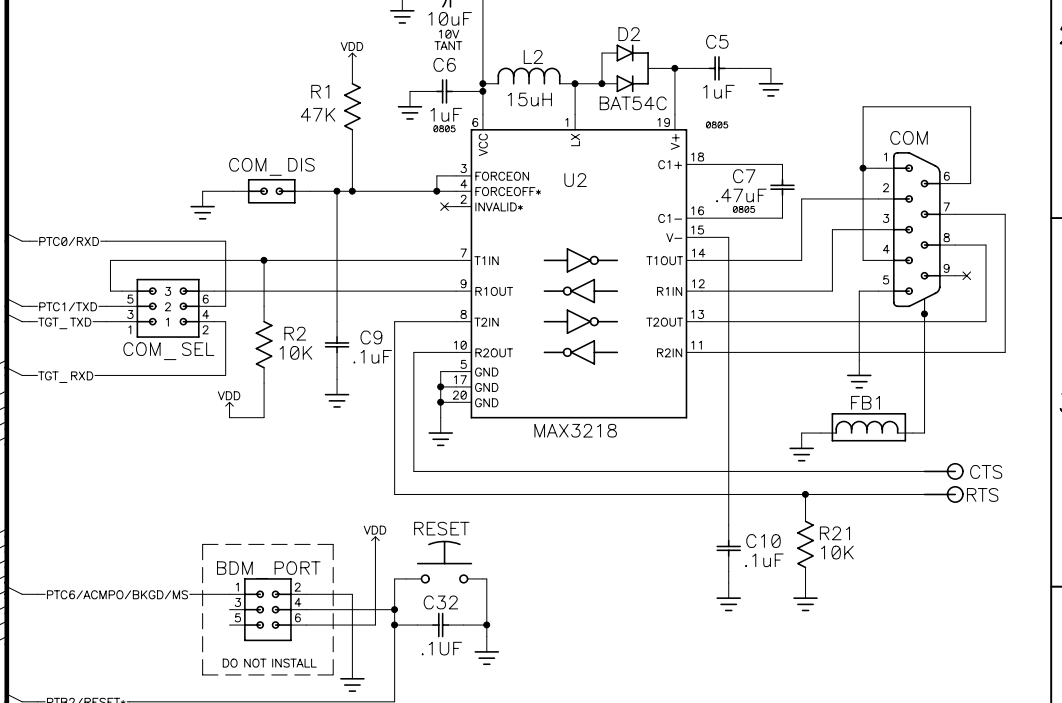
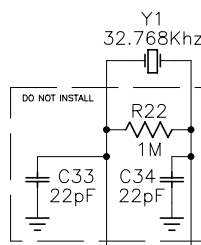
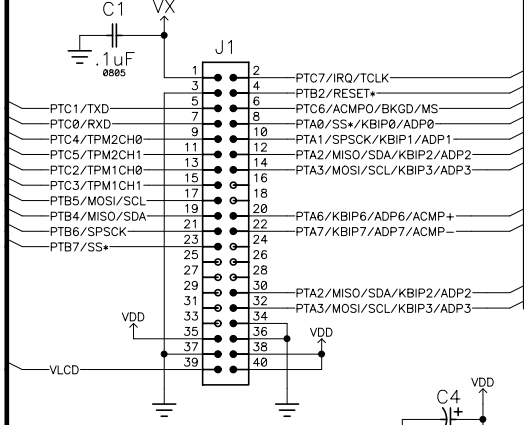
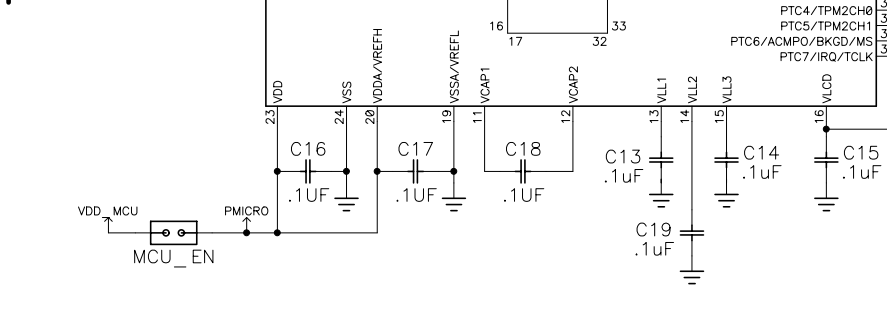
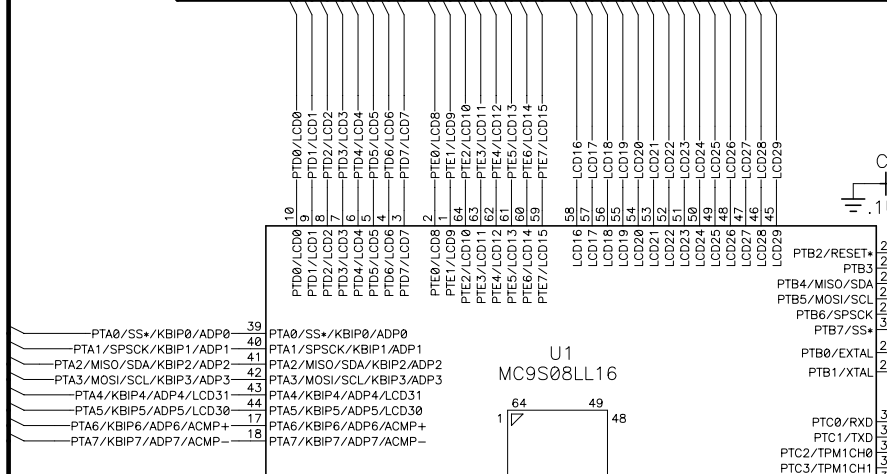
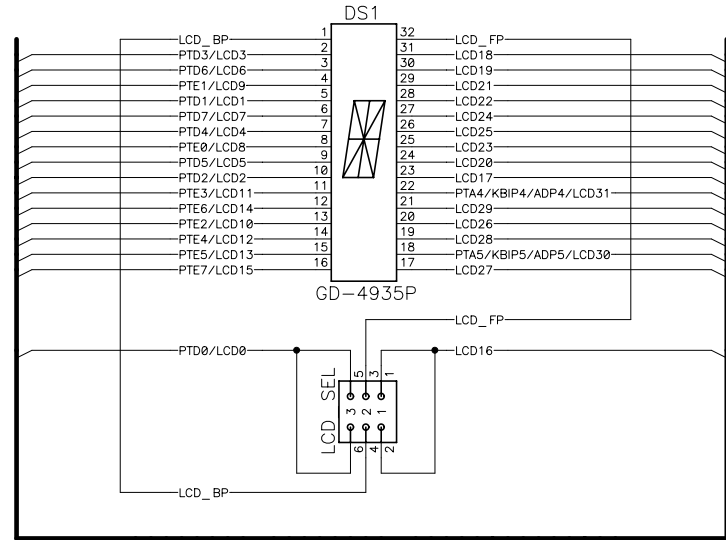
A

B

C

D

BUS SHEET 2



APPROVALS		DATE	TITLE	
DRAWN	GLG	010908	DEMO9S08LL16 AXM-0428	
CHECKED	DSR	091807	SIZE	DWG. NO.
FINISH			B	DOC-0428-030
SCALE				REV
				B
			SHEET 1 OF 3	

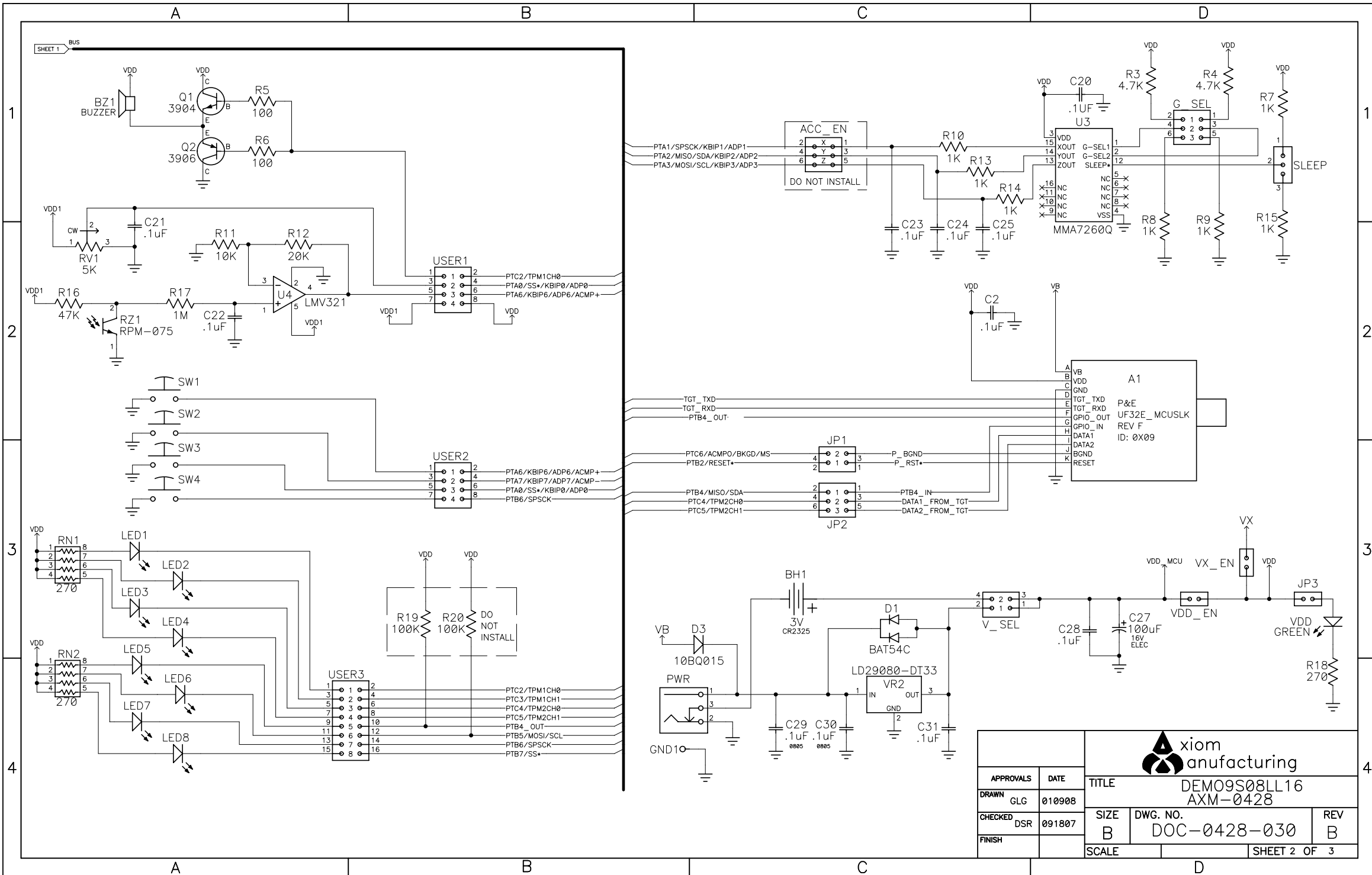
A

B

C

D

4



APPROVALS		DATE	TITLE	
DRAWN	GLG	010908	DEM09S08LL16 AXM-0428	
CHECKED	DSR	091807	SIZE	DWG. NO.
FINISH			B	DOC-0428-030
			SCALE	REV
				B
			SHEET 2 OF 3	

