



**Freescale Semiconductor, Inc.**

**M68PCBUG11/D  
REV 3**

December 1996

**M68HC11 PCbug11  
USER'S MANUAL**

© 1991, 1992, by MOTOROLA, INC.

**For More Information On This Product,  
Go to: [www.freescale.com](http://www.freescale.com)**

**Freescale Semiconductor, Inc.**



Motorola reserves the right to make changes without further notice to any products herein to improve reliability, function, or design. Motorola does not assume any liability arising out of the application or use of any product or circuit described herein; neither does it convey any license under its patent rights nor the rights of others. Motorola products are not designed, intended, or authorized for use as components in systems intended for surgical implant into the body, or other applications intended to support or sustain life, or for any other application in which the failure of the Motorola product could create a situation where personal injury or death could occur. Should Buyer purchase or use Motorola products for any such unintended or unauthorized application, Buyer shall indemnify and hold Motorola and its officers, employees, subsidiaries, affiliates, and distributors harmless against all claims, costs, damages, and expenses, and reasonable attorney fees arising out of, directly or indirectly, any claim of personal injury or death associated with such unintended or unauthorized use, even if such claim alleges that Motorola was negligent regarding the design or manufacture of the part. Motorola is a registered trademark of Motorola, Inc. Motorola, Inc. is an Equal Opportunity/Affirmative Action Employer.

IBM is a trademark of International Business Machines Corp.

MS-DOS is a trademark of Microsoft Corporation.



**CONTENTS**

**CHAPTER 1 GENERAL INFORMATION**

1.1 INTRODUCTION..... 1-1

1.2 MCU SETUP FOR PCBUG11 ..... 1-1

    1.2.1 Hard Disk Installation ..... 1-2

    1.2.2 Flexible Disk Installation ..... 1-2

1.3 STARTING PCBUG11 ..... 1-3

    1.3.1 Running the Software..... 1-3

    1.3.2 Monitor Screen Windows..... 1-4

    1.3.3 Fixing Simple Problems..... 1-5

    1.3.4 Trying Simple Commands ..... 1-6

1.4 HOW PCBUG11 WORKS ..... 1-7

**CHAPTER 2 USING PCBUG11 SOFTWARE**

2.1 INTRODUCTION..... 2-1

2.2 PCBUG11 RUNTIME COMMAND STRUCTURE..... 2-1

    2.2.1 The <baudrate> Parameter ..... 2-1

    2.2.2 Runtime Command Examples..... 2-3

2.3 USES OF THE SOFTWARE ..... 2-3

2.4 PITFALLS TO AVOID ..... 2-4



**CHAPTER 3 USING PCBUG11 COMMANDS**

3.1 INTRODUCTION.....	3-1
3.2 COMMAND-LINE EDITING.....	3-1
3.3 PCBUG11 COMMANDS.....	3-2
ASM addr [mne dir].....	3-5
BAUD [rate].....	3-7
BF addr1 [addr2] byte word.....	3-8
BL.....	3-9
BR [addr [macroname]].....	3-10
CALL addr.....	3-11
CLRM.....	3-12
CLS.....	3-13
CONTROL [parameter].....	3-14
DASM addr1 [addr2].....	3-15
DB startaddr [endaddr].....	3-16
DEBUG.....	3-17
DEFINE symbol value address.....	3-18
DEFM macnam TRACE AUTOSTART.....	3-19
DELM macnam TRACE AUTOSTART.....	3-21
DIR [mask].....	3-22
DOS [command].....	3-23
EDITM macnam.....	3-24
EEPROM [startaddr [endaddr]].....	3-25
EEPROM DELAY option.....	3-26
EEPROM ERASE [option] [addr].....	3-27
EPROM [startaddr [endaddr]].....	3-28
EPROM DELAY option.....	3-29
FIND byte word addr1 addr2.....	3-30
FIND mnemonic addr1 addr2.....	3-31
G [addr].....	3-32
HELP [command].....	3-33
KLE.....	3-34
LOADM [filename [macroname]].....	3-35
LOADS filename [loadaddr].....	3-36
LS symbol.....	3-37
LSTM [mname TRACE AUTOSTART].....	3-38
MD startaddr [endaddr].....	3-39
MM addr.....	3-40
MOVE addr1 addr2 addr3.....	3-41
MS addr byte word [byte word].....	3-42

**CHAPTER 3 USING PCBUG11 COMMANDS (continued)**

MSG [string] .....	3-43
NOBR [address] .....	3-44
PAUSE [mS] .....	3-45
PRINT .....	3-46
PROTECT [startaddr [endaddr]] .....	3-47
QUIT [Y] .....	3-48
RD [T] .....	3-49
RESET [addr] .....	3-50
RESTART [option] .....	3-52
RM .....	3-53
RS register value .....	3-54
S .....	3-55
SAVEM [filename] .....	3-56
SHELL [command] .....	3-57
T [addr] .....	3-58
TERM [X1 Y1 X2 Y2] .....	3-59
TYPE filename .....	3-60
UNDEF symbol .....	3-61
VER .....	3-62
VERF filename [memaddr] .....	3-63
VERF ERASE addr1 [addr2] .....	3-64
VERF SET addr1 addr2 value .....	3-65
WAIT [mS] .....	3-66

**CHAPTER 4 ADVANCED TOPICS**

4.1 INTRODUCTION .....	4-1
4.2 MACROS .....	4-1
4.2.1 Defining Macros .....	4-2
4.2.1.1 Autostart Macros .....	4-3
4.2.1.2 Null Macros .....	4-3
4.2.2 Editing Macros .....	4-3
4.2.3 Listing and Clearing Macros .....	4-4
4.3 USING TRACE AND BREAKPOINTS .....	4-4
4.3.1 Breakpoints .....	4-4
4.3.2 Tracing .....	4-6
4.4 TALKERS IN EEPROM OR EXTERNAL MEMORY .....	4-6
4.5 PROGRAMMING EPROM (711) PARTS .....	4-8
4.6 DESIGNING NEW TALKERS .....	4-9



---

---

**APPENDIX A    HARDWARE SUPPORT**

A.1 INTRODUCTION .....A-1  
A.2 CIRCUIT DIAGRAM AND COMPONENTS LIST .....A-1

**APPENDIX B    PCBUG11 ERROR MESSAGES**

B.1 INTRODUCTION .....B-1  
B.2 FAILED OPERATION ERRORS .....B-1  
B.3 COMMUNICATIONS ERRORS AND OTHER FATAL ERRORS .....B-4  
B.4 COMMAND ERRORS .....B-6  
B.5 VERIFICATION ERRORS .....B-6

**APPENDIX C    PCBUG11 DISK CONTENTS**



## CHAPTER 1

### GENERAL INFORMATION

#### 1.1 INTRODUCTION

M68HC11 PCbug11 is a software package for easy access to and simple experimentation with M68HC11 microcontroller unit (MCU) devices. PCbug11 lets you program any member of the M68HC11 MCU family and examine the behavior of internal peripherals under specific conditions. In addition, you may run your own programs on the MCU; breakpoint processing and trace processing are available.

This manual explains how to install and run PCbug11, version 3.24, as well as how to correct common problems. (A user who has a later version of PCbug11 should check for any version information notes attached to the end of this manual. Such notes contain information about any changes from the information of the main text.)

Terminology conventions for this manual are:

- The acronym MCU denotes any member of the family of M68HC11 microcontroller unit devices.
- Two-character, alphabetic and numerical codes denote specific MCUs. For example, *A8*, *D3*, and *E9* denote the MC68HC11A8, the MC68HC11D3, and the MC68HC11E9, respectively.
- *Monitor*, or *monitor program*, is another term for PCbug11.

#### 1.2 MCU SETUP FOR PCBUG11

Before you use an M68HC11 MCU with PCbug11, you must prepare hardware support components and install the software on an IBM PC or compatible personal computer. For information on hardware components, consult Appendix A.

Motorola supplies the software on a 360-Kbyte, IBM PC compatible master disk. You must install this software on the hard disk of your computer, per paragraph 1.2.1.

Optionally, if your computer does not have a hard disk, you may run PCbug11 from a flexible disk, per paragraph 1.2.2.



### 1.2.1 Hard Disk Installation

In these instructions, *drive A* is the flexible disk drive and *drive C* is the hard disk. Follow these steps to install the software on a hard disk:

1. Insert the master disk in drive A.
2. Make drive C the default drive (if it is not so already) by typing  
C: [RETURN]
3. Create a new subdirectory by typing  
md \PCBUG11 [RETURN]
4. Make this new subdirectory the default by typing  
cd \PCBUG11 [RETURN]
5. Copy all the files from the master disk to the hard disk by typing  
copy a:\*. \* c: [RETURN]

This completes software installation. You may run PCbug11 from anywhere in the hard-disk directory structure by using the DOS PATH command to include the C:\PCBUG11 subdirectory in your path. (See DOS documentation for details on the PATH command.)

### 1.2.2 Flexible Disk Installation

These instructions are for a computer that has two flexible disk drives. *Drive A* is a 360-Kbyte flexible disk drive. *Drive B* is the second flexible disk drive. You need a freshly formatted disk, which will become your work disk.

Follow these steps to install the software:

1. Insert the master disk in drive A.
2. Insert the formatted disk in drive B. This disk becomes your work disk.
3. Copy all the files from the master disk to the work disk by typing  
copy a:\*. \* b: [RETURN]
4. Remove the master disk from drive A.
5. Remove the work disk from drive B and insert it in drive A.

This completes software installation. You may run PCbug11 from the work disk in drive A.





## 1.3 STARTING PCBUG11

To start the software package, set up the hardware, connect the hardware to the computer communication port, and run the PCbug11 monitor program.

### 1.3.1 Running the Software

PCbug11 is sophisticated software that takes many possible options. The computer port used, the crystal used, and any macros used determine which options are possible for a specific MCU.

To run the software, enter the startup command. The simplest run command is for an MC68HC11A8, MC68HC11A1, or MC68HC11A0 MCU, with the XIRQ and PD0 pins connected:

#### PCBUG11 -XA

To run other MCUs of the M68HC11 family, alter the final one or two characters of this run command, per Table 1-1. (As most M68HC11 MCUs have E9 type bootloaders, the **-XE** option is the more frequently appropriate.) An X in the run command means that the XIRQ and PD0 pins must be connected (do not use the X option if PCbug11 is used with an EVBU board).

#### NOTE

The default number base of PCbug11 is 10. To change the default base to 16, enter the command CONTROL BASE HEX. To change the default base to 2, enter the command CONTROL BASE BIN. To change the default base back to 10, enter the command CONTROL BASE DEC. The CONTROL command explanation, in Chapter 3, gives more information.


**Table 1-1. PCbug11 Run Commands**

MCU	RUN Command
MC68HC11A0, MC68HC11A1, or MC68HC11A8	<b>PCBUG11 -A</b> or <b>PCBUG11 -XA</b>
MC68HC811A8	<b>PCBUG11 -88</b>
MC68HC11D3 or MC68HC711D3	<b>PCBUG11 -D</b>
MC68HC11E0, MC68HC11E1, MC68HC11E9, MC68HC11E20, MC68HC11F1, MC68HC11G5, MC68HC11G7, MC68HC11L6, or MC68HC811A2	<b>PCBUG11 -E</b> or <b>PCBUG11 -XE</b>
MC68HC11E2	<b>PCBUG11 -XA</b>
MC68HC711E9	<b>PCBUG11 -E</b>
MC68HC11K4, MC68HC711K4, MC68HC11N4, or MC68HC11P2	<b>PCBUG11 -K</b>

### 1.3.2 Monitor Screen Windows

Hardware status appears on the computer screen. This screen consists of four major areas, or *windows*:

1. **Main window.** This window is the upper half of the screen. If you have a color screen, the main window has white text on a blue background. This window displays the most information about PCbug11 operation: command results, memory contents, assembly opcodes, macros, and so forth.
2. **Register window.** This window is in the center of the screen. If you have a color screen, the register window has white or yellow text on a red background. This window shows the last recorded contents of the processor registers. Note that register window values update only upon startup or user request. PCbug11 commands let you modify the contents of the registers.



3. **Status window.** This window is at the center right of the screen. If you have a color screen, the status window has white text on a purple background. This window shows the MCU in use; the MCU state (running, stopped, tracing); the status of the RS232 RTS line, and the current user-set interrupt vectors.
4. **Command window.** This window is at the bottom left of the screen. If you have a color screen, the command window has white text on a black background. Use this window for entering and reading commands to PCbug11. The command cursor (the » character) is at the bottom line of this window; commands you enter appear after the command cursor. Previous commands and the latest error message also appear in the command window.

If your screen does not show these windows, the program is not running correctly. A DOS error message or a PCbug11 error message indicates the problem. See paragraph 1.3.3 or Appendix B for guidance on corrective action. If your screen does show these four windows, proceed to paragraph 1.3.4 to try some simple commands.

There are two additional, temporary windows, which appear superimposed over the main window:

1. **Error window.** This window indicates any errors or incorrectly operating communications to the MCU. If you have a color screen, the error window has red text on a black background. To clear the error window immediately, press any key. (Or wait five seconds and the error window clears itself.)
2. **Help window.** This window displays help information requested via the HELP command. If you have a color screen, the help window has white text on a black background. To scroll through the help information, use the up-arrow, down-arrow, page-up, and page-down keys. To clear the help window, press the ESC key.

### 1.3.3 Fixing Simple Problems

If the software did not start up correctly, the register screen shows rows of characters X instead of values, and one or more error messages appear in the command window. Appendix B explains the full meaning of such an error message.



---

In the case of an initial startup, however, the most likely problems are a poor communications link or an incorrect hardware setting. Make sure that:

- A 5-volt signal is supplied correctly to the user hardware.
- An 8 MHz crystal is installed in the circuit.
- The communications cable is wired correctly.
- The MCU is in bootstrap mode and is reset.
- The cable is connected to the COM1 port of the computer (or the guidance of paragraph 2.2 is followed if the cable is connected to the COM2 port).

After checking these items, try again to start the system. If numerical values appear in the register window and there are no error messages, PCbug11 is working correctly. Proceed to the simple commands of paragraph 1.3.4.

### 1.3.4 Trying Simple Commands

This paragraph explains a few simple commands that demonstrate PCbug11 operation. (Paragraph 3.2 explains the full PCbug11 command set.)

**<CTRL>R** This command tests communications between the user hardware and the computer. If communications are operating correctly, the response

**Communications synchronized**

appears in the main window. Otherwise, the response

**Communications fault**

appears in the main window.

**RESTART** This command reloads the communications program and starts afresh, so it is appropriate any time there is an indication of a communications fault. Be sure to reset the MCU before typing in **RESTART**. Note, however, that this command may lead to the loss of any program in processor RAM.

**QUIT** This command terminates a PCbug11 session. After you type in **QUIT**, a message requests confirmation that you really do want to end the session. Respond affirmatively, and the session ends.

**RD** This command displays register contents, letting you read the values. Should rows of the character **X** appear instead of values, an error message identifies the problem.



---

**MD start address (end address)** This command displays contents of memory, from the start address through the end address. If you do not enter the optional end address, PCbug11 displays the contents of the 16 memory locations beginning with the start address. Memory contents appear in the main window. (If the address values consist only of digits, the monitor considers them decimal numbers. To specify binary or hexadecimal addresses, start them with the % or \$ character, respectively.)

**CLS** This command clears the main window.

**HELP (command)** This command is valid only if you have installed the help file. Enter **HELP** command by itself to see a summary of PCbug11 commands. Enter **HELP** followed by another command to see specific help information on the other command.

## 1.4 HOW PCBUG11 WORKS

PCbug11 works differently from most other microcomputer emulators or trainers. Other emulators run sophisticated programs that communicate with a terminal. Such a program lets the user execute programs, alter registers, and so forth, but requires a complex hardware platform.

The PCbug11 design, however, takes advantage of the sophistication of the PC. The microcomputer need run only a simple program, so the hardware platform also can be simple. PCbug11 carries out emulator functions via serial communication with the PC.

The monitor communicates with the MCU through a low-level program called a *talker*. PCbug11 includes different talkers to support different MCUs and different operating modes. All talkers communicate between the SCI port of the MCU and the serial port of the PC. Each talker occupies less than 256 bytes of MCU memory space and operates under *interrupt*. Some talkers use internal MCU RAM: this approach is the *boot method*. Other talkers use internal EPROM or other ROM: this approach is the *ROMed method*.

In the boot method, the PC downloads the talker into MCU internal RAM for each PCbug11 startup. Such a download happens via the special bootstrap mode of the MCU. In this mode, the MCU automatically can download a program into its internal RAM and then run the program. This makes it possible to alter internal values, program memory, read and write to chip ports, and perform other functions. This simple approach requires no external hardware except a power supply, an oscillator, and an RS-232C interface. The limitation of the boot method is its use of about 240 bytes of internal RAM, which may be a problem for some users.

In the ROMed method, the PC synchronizes communication with a talker already running on the MCU. This means that the appropriate talker must be programmed into internal or external MCU memory before the user runs PCbug11. The simplest example of using the ROMed method is placing the talker in external memory and running the talker every time the MCU is powered up. If the talker is loaded into the MCU's internal EEPROM, no external memory is required.



---

As a talker is interrupt driven, residing in the same memory map as user software, the RESET, XIRQ, and SWI vectors must be reserved for talker code. Note, however, that the SCI vector may be used instead of the XIRQ vector, to give maskable control to PCbug11.

The PCbug11 design leads to these rules of thumb:

1. If the PCbug11 is in boot mode, MCU internal RAM contains the talker program, bootstrap-mode interrupt vectors, and the program stack. For an MCU that has 256 bytes of RAM, this leaves little room for user programs. In such a case, the user should use EEPROM space for programs.
2. PCbug11 is interrupt driven, so the user must consider carefully any program that uses interrupts or changes interrupt vectors. In the standard approach, the XIRQ pin causes an interrupt whenever the user needs communications. This gives the user reasonably free use of interrupts that set the I bit. But the user must be careful when using breakpoint or trace operations, which also set the I bit. The user also must protect the interrupt vectors from alteration; changes to these vectors cause loss of communication with the program.
3. PCbug11 implements trace and breakpoint operations by placing a software interrupt at the trace or breakpoint location. This means that PCbug11 must be able to modify the code at such locations: the code must be in (internal or external) RAM or EEPROM. The monitor cannot operate trace or breakpoints in ROM. This restriction also applies to FLASH memory, which is not byte programmable. Note that PCbug11 makes use of a little software overhead to handle correctly any user-defined SWI. (Breakpoints and tracing are not available with D3 or D0 MCUs.)



## CHAPTER 2

### USING PCBUG11 SOFTWARE

#### 2.1 INTRODUCTION

This chapter introduces the user to several possibilities for using PCbug11 software. This discussion also covers the runtime command structure and common pitfalls to avoid.

#### 2.2 PCBUG11 RUNTIME COMMAND STRUCTURE

To use PCbug11, enter the runtime command at the DOS prompt. The syntax for this command is:

```
PCBUG11 [[?][[-X][talker]][talker]][macro=macroname(params)][baud=baudrate] [port=1|2]
```

Table 2-1 is the key to runtime command symbols and parameters.

##### 2.2.1 The <baudrate> Parameter

If your circuit uses an 8 MHz crystal, the standard for PCbug11, do not use the <baudrate> parameter in the runtime command. In this case, the PC communications rate is 9600 baud, and the download rate for a -<name> talker is 7812 baud.

For a circuit that uses an alternative crystal, the <baudrate> parameter is required:

- For a <boottype> talker, the <baudrate> value is the download rate for the talker. This value must be to 7812 as the frequency (in MHz) of your crystal is to 8. That is,

$$\langle \text{baudrate} \rangle = \frac{\text{crystal used MHz}}{8} * 7812$$

- For a <ROMtype> talker, the <baudrate> value is the communications rate for the PC and MCU. This value must be to 9600 as the frequency (in MHz) of your crystal is to 8. That is,

$$\langle \text{baudrate} \rangle = \frac{\text{crystal used MHz}}{8} * 9600$$



**Table 2-1. Runtime Command Parameter Key**

Symbol or Parameter	Explanation or Role
[ ]	Enclose optional parameters.
	Indicates <i>or</i> .
?	The query option. Enter this option to see a short form of the runtime command syntax, if you need a reminder.
<b>talker</b>	The talker to be used. If a hyphen precedes this parameter value, the file TALK<boottype>.BOO/.XOO must be in the same directory as the file PCBUG11.EXE. This parameter has two forms, <boottype> or <ROMtype>.
<boottype>	<b>A, D, E, K, 88</b> , or <userdefined>
<ROMtype>	The name of a user-defined ROMed talker. The user must supply a file called <ROMtype>.MAP in the current directory.
<baudrate>	The baudrate for the PC and MCU if your circuit does not use an 8 MHz crystal. Paragraph 2.2.1 explains more about this parameter.
<macroname>	The name of a macro library file, such as <macroname>.MCR. PCbug11 automatically loads such a macro upon startup. PCbug11 also automatically executes this macro if the additional macro AUTOSTART also is in the library. To pass parameters to this macro, enclose them in parentheses immediately after the <b>macro=</b> option.
<b>port=2</b>	The command to use PC port 2, instead of the default port 1, for communications with the hardware.





## 2.2.2 Runtime Command Examples

Some examples of the PCbug11 runtime command are:

- PCBUG11** Entering the runtime command without any options invokes the command line compiler. This lets the user input option information by answering a series of prompts instead of making option information part of the runtime command. This form of the runtime command may be appropriate if you convert from one MCU to another or if you try a new option.
- PCBUG11 ?** Entering the runtime command with the query option tells the monitor to display a short form of the runtime command syntax.
- PCBUG11 -E** This form of the runtime command runs the boot option talker for an MCU of the M68HC11E, F, G, or L series. The monitor program downloads the talker to RAM, then runs the talker.
- PCBUG11 -XA port=2** This form of the runtime command runs the boot option talker for an M68HC11A8, A1, A0, or E2 MCU, using PC port 2 (if port 2 exists). The monitor program downloads the talker to RAM, then runs the talker.
- PCBUG11 -XE macro=TRYIT** This form of the runtime command runs the boot option talker for an MCU of the M68HC11E, F, G, or L series and also loads the macro TRYIT.MCR. If the AUTOSTART macro is in the macro library, TRYIT execution begins automatically. (Paragraph 4.2 gives more information about macros.)
- PCBUG11 TALKEREE baud=4800 macro=LISTIT (1 2 3)** For this form of the runtime command, the talker TALKEREE already must be loaded in the MCU. The value 4800 is the PC-to-MCU communications rate that corresponds to a 4 MHz crystal. This command also loads the macro LISTIT.MCR and passes the parameters 1 2 3. (Note that for correct operation of this talker, PCbug11 must be able to load the file TALKEREE.MAP, which contains necessary system variables. TALKEREE.MAP must be in the user's current working directory. Paragraph 4.4 explains more details.)

## 2.3 USES OF THE SOFTWARE

Possible uses for the PCbug11 software are unlimited. Note that the PCbug11 is not a software simulation of an MCU; commands and programs you enter run on the real hardware, although via a software interface. Most of the time the hardware runs the MCU in special bootstrap mode, so access to secured resources is at user discretion, not under MCU control.

As the package runs under interrupt, it is possible to have a program running, but still be able to read registers, write to registers, and even write to memory. A careful user can even modify the



---

program being run. Note that during modification of a program or registers, the running program waits for processing of the interrupt caused by PCbug11.

You may set breakpoints in the software, so the MCU stops whenever it reaches that point in the code. The trace command lets you step through code to examine the execution of instructions, and see the results in registers and in the condition code register (CCR).

PCbug11 lets the user modify and assemble code into EEPROM as if it were RAM. Although the MCU has an elaborate routine for programming this memory, PCbug11 handles such programming in a manner transparent to the user. To make this possible, the user must first use the EEPROM command to define the area of internal EEPROM. Do not, however, specify external EEPROM in this way, as the talker automatically handles slow external memories. There is a significant difference in response times between writing to EEPROM and writing to RAM.

## 2.4 PITFALLS TO AVOID

Some MCUs have a register that increases EEPROM protection. This is the BPROT register, which usually is at address \$1035. Before either the EEPROM or the CONFIG register can be programmed, the BPROT register must be modified. Note that PCbug11 **does not** modify the BPROT register.

If you program the CONFIG register, remember that the contents of this register usually are not readable until after MCU reset. Note that if the MCU is reset in bootstrap mode, certain automatic functions place the part in an appropriate operating mode. If the MCU has a security mode, clearing the NOSEC bit protects the internal RAM, internal EEPROM, and the internal CONFIG register. This means that if the part is reset in bootstrap mode, the value of the NOSEC bit will be 1.

Follow these guidelines to use interrupts with the hardware. Real-time and other such interrupts are permitted when the I bit (RTII for the real-time interrupt) is clear and the appropriate interrupt mask is set. An interrupt sets the interrupt I flag. A CLI or RTI instruction clears this flag; note however, that the flag for an interrupt source remains set. For a real-time interrupt, this is RTIF; an exit from a real-time interrupt service routine that leaves RTIF set causes another interrupt immediately. This means that communications with PCbug11 could stop making sense or that communications could cease (due to stack overflow).

When real-time measurements or calculations are in progress, remember that reading registers or memory causes interrupts that interfere with logical program operation. This could upset results, generating wrong answers. Such wrong answers are particularly likely when the processor is waiting for the logical value on a port pin to change before carrying out some action. If the change occurs while PCbug checks the processor status, the change could be lost or upset. Remember that the MCU does its own self-examination; this self-examination does not affect programs that perform off-line calculations or other functions.



PCbug11 implements breakpoints and traces via software interrupts (SWIs). When program execution arrives at a breakpoint, an interrupt is generated; the internal talker handles this interrupt. If the user directly uses the SWI, the SWI vector is called. If the SWI is a true breakpoint, the PC so informs the user. While this common emulator arrangement is effective, it is limited to use with RAM or EEPROM; ROM does not accommodate breakpoints or traces. There is another problem if you reset or restart the MCU while all breakpoints are still set: the SWIs remain in memory (especially EEPROM), displacing other opcodes. To prevent such a situation, either clear all breakpoints before resetting or restarting the MCU, or reload your code immediately after a reset or restart.

In bootstrap mode, PCbug11 puts its talker in MCU internal RAM. Overwriting any of the talker software could cause loss of operations or communications with the MCU. Accordingly, you should not place any user code or data in the same area as the talker.

This rule applies as well to the interrupt vector area of RAM. Interrupt vectors are redirected from bootstrap ROM; they indicate that communications are required. If the stack is not initialized to a suitable value, the interrupt vectors could be altered accidentally. For example, if you initialized the stack to \$FF, the first interrupt vector received would overwrite the redirected vectors, causing loss of communications with the MCU. (Disabling bootstrap ROM also causes communications to fail.)

You may cause problems if you put a G command in a macro, followed by other commands that modify memory associated with the program. As there is no way to know where the program is in its execution, a macro may modify memory before or during the program's memory operation. (Remember that PCbug11 commands operate under interrupts that temporarily halt the program.) For example, such a situation could change the correct order of value storage in a memory location, leading to incorrect operation or inaccurate results. To prevent such a problem, do not use the G command together with a memory modify command in macros.

Also note that different boot talkers initialize the stack to different values, according to the availability of RAM. These default values are:

A: \$EB      D: \$EB      E: \$1FF      K: \$1FF      88: \$EB

Be careful about moving from one processor to another, when the stack pointer value is different.





## CHAPTER 3

### USING PCBUG11 COMMANDS

#### 3.1 INTRODUCTION

This chapter provides full details about all PCbug11 monitor commands. The first information of this chapter explains command-line editing. A table then summarizes all the monitor commands. Complete information about each command follows, in alphabetical order.

#### 3.2 COMMAND-LINE EDITING

Use the host-computer keyboard to edit the PCbug11 command line. A recall buffer holds the last 16 commands entered. Table 3-1 lists the edit keys.

**Table 3-1. Command Line Edit Keys**

Key	Function
Left arrow	Moves cursor back one character.
Right arrow	Moves cursor forward one character.
Home	Moves cursor to the first character.
End	Moves cursor to the last character.
Delete left	Deletes to the left of the cursor.
Del	Deletes at the cursor position.
<CTRL> End	Deletes from the cursor position to the end of the line.
Ins	Inserts at the cursor position. <sup>(1)</sup>
Up arrow	Recalls previous commands, in reverse order.
Down arrow	Recalls last command in recall buffer.
Esc	Clears command line, or terminates most commands (such as ASM, DASM, and MD) in progress.
1. The normal cursor changes to a blocked cursor.	



The four lines above the command line serve as a trace of the last four commands. The fifth line above the command line shows breakpoints and the last error encountered.

Possible error codes are:

- 0** : No error
- 1** : VERF error
- 2** : MS or BF error
- 3** : Talker communication failure

For MS-DOS batch files, an error code can be checked via ERRORLEVEL after PCbug11 terminates.

### 3.3 PCBUG11 COMMANDS

Table 3-2 is a summary of PCbug11 commands. Explanations of each command follow this table, in alphabetical order.

**Table 3-2. PCbug11 Commands**

Command	Description
ASM addr [mne dir] <sup>(1)(2)</sup>	Call symbolic macro line assembler, with option to auto-insert mnemonic or directive
BAUD [rate] <sup>(2)</sup>	Display or set serial baud rate
BF addr1 [addr2] byte word <sup>(1)</sup>	Block fill memory with byte or word
BL <sup>(2)</sup>	Display breakpoints
BR [addr [macroname]] <sup>(1)</sup>	Display or set breakpoint [with optional command execution]
CALL addr	Execute the subroutine at addr
CLRM	Clear all command macros
CLS	Clear main window
CONTROL [parameter]	Display or change PCbug11 system parameters
DASM addr1 [addr2]	Disassemble from addr1 [to addr2]
DB startaddr [endaddr] <sup>(2)</sup>	Display MCU memory
DEBUG	Reserved word


**Table 3-2. PCbug11 Commands (continued)**

Command	Description
DEFINE symbol value address <sup>(2)</sup>	Define a symbol
DEFM macname TRACE AUTOSTART	Define a command, trace, or autostart macro
DELM macname TRACE AUTOSTART	Delete a command, trace, or autostart macro
DIR [mask]	Display disk directory
DOS [command]	Shell to DOS or execute DOS command
EDITM macnam	Edit a macro
EEPROM [startaddr [endaddr]]	Display, clear, or set EEPROM address range(s)
EEPROM DELAY option	Set EEPROM erase or write programming time
EEPROM ERASE [option] [addr]	Display or change EEPROM erase-before-write function
EPROM [startaddr [endaddr]]	Display, clear, or set EPROM address range(s)
EPROM DELAY option	Set EPROM erase or write programming time
FIND byte word addr1 addr2	Find all occurrences of byte or word between addr1 and addr2
FIND mnemonic addr1 addr2	Find all occurrences of mnemonic between addr1 and addr2
G [addr] <sup>(1)(2)</sup>	Start user code execution
HELP [command] <sup>(1)(2)</sup>	Display help information
KLE	Kill last error message
LOADM [filename [macroname]]	Load macro definitions from default or user file
LOADS filename [loadaddr]	Load S-record file into MCU memory
LS symbol <sup>(2)</sup>	Display symbols
LSTM [mname TRACE AUTOSTART]	Display macro names or definitions
MD startaddr [endaddr] <sup>(1)</sup>	Display MCU memory
MM addr <sup>(1)</sup>	Modify memory from addr
MOVE addr1 addr2 addr3	Move MCU memory between addr1 and addr2 to addr3
MS addr byte word [byte word]	Set MCU memory byte(s) or word(s)



---

---

MSG [string]
--------------

Display message in main window
--------------------------------




**Table 3-2. PCbug11 Commands (continued)**

Command	Description
NOBR [address] <sup>(1)</sup>	Remove all or specified breakpoints
PAUSE [ms]	Wait for any key press or delay time
PRINT	Display PCbug11 version number
PROTECT [startaddr [endaddr]]	Display, clear, or set write-protected address range(s)
QUIT [Y]	Terminate PCbug11 session [without confirming]
RD [T] <sup>(1)(2)</sup>	Display or trace MCU registers
RESET [addr]	MCU hardware reset with existing or new reset vector
RESTART [option]	Restart PCbug11 with same or new option
RM <sup>(1)</sup>	Modify MCU registers in window
RS register value <sup>(2)</sup>	Set value of MCU register
S	Stop user code execution
SAVEM [filename]	Save macro definitions in default or user file
SHELL [command] <sup>(2)</sup>	Shell to DOS or execute DOS command
T [addr] <sup>(2)</sup>	Trace user code
TERM [X1 Y1 X2 Y2]	Simple windowed terminal emulator
TYPE filename	Display disk file in main window
UNDEF symbol <sup>(2)</sup>	Undefine a symbol
VER <sup>(2)</sup>	Display version number
VERF filename [memaddr]	Verify S-record disk file against memory
VERF ERASE addr1 [addr2]	Verify that memory contains \$FF
VERF SET addr1 addr2 value	Verify that memory contains the value
WAIT [ms] <sup>(2)</sup>	Wait for ms
CTRL B <sup>(3)</sup>	Send break on COM channel
CTRL P <sup>(3)</sup>	Toggle MCU memory write protect/RTS line
CTRL R <sup>(3)</sup>	Try to re-synchronize talker



- 
- 
- |   |
|---|
| <ol style="list-style-type: none"><li>1. Commands that operate similarly to the same commands of Motorola M68C11 EVM systems.</li><li>2. Commands that operate similarly to the same commands of Motorola CDS8 systems.</li><li>3. Special key operations</li></ol> |
|---|



**ASM addr [mne|dir]**

**Call symbolic macro line assembler, with option to auto-insert mnemonic or directive**

This command provides single-line assembly/disassembly in the main window.

The assembler is a single-pass version of ASMHC11 2.6, supporting the same mnemonics and directives. Symbols can be defined within ASM via the standard Motorola syntax. Alternatively, symbols from an equate file may be loaded via the INCL operand. At least one space must separate the > prompt and the mnemonic; otherwise PCbug11 treats the mnemonic as a label.

These keys have special editing roles for the ASM command:

- Up arrow**    Decrement program counter by one
- Down arrow**    Increment program counter by one
- Enter**    Move program counter to the next instruction boundary
- Esc**    Exit ASM and return to the command line

Other editing keys have the same roles for ASM as they do for other commands.

PCbug11 lets you specify an optional mnemonic or directive on the command line. If you do so, the ASM command automatically inserts the mnemonic or directive, then immediately returns to the command line. This permits mnemonic insertion or directive execution from within a macro, without any user input.

**Usage:**

- ASM \$100                            Assemble from memory address \$100
- ASM \$100 INCA                    Insert the INCA instruction at memory address \$100

**Errors:**            Table 3-3 lists ASM command error-message codes.

**Related commands:**    DASM



**Table 3-3. ASM Error Message Codes**

<b>Code</b>	<b>Category and Meaning</b>
1	<b>Memory fault:</b> memory did not modify as expected
200	<b>Syntax:</b> invalid character in context
202	<b>Syntax:</b> syntax error
204	<b>Syntax:</b> label required (for EQU or SET)
212	<b>Operand:</b> improper termination of operand field
213	<b>Operand:</b> invalid addressing mode for operand
214	<b>Address:</b> invalid forward reference
223	<b>Address:</b> invalid addressing mode for M68HC11 MCU
234	<b>Symbol:</b> redefined symbol
235	<b>Symbol:</b> undefined symbol
238	<b>Symbol:</b> undefined operation
320	<b>Symbol:</b> error table overflow
321	<b>Symbol:</b> symbol table overflow
250	<b>Data:</b> displacement too large (normally branch)
251	<b>Data:</b> value out of range
252	<b>Data:</b> address too large for forced direct
255	<b>Data:</b> division by zero
501	<b>File:</b> File not found



**BAUD [rate]**

**Display or set serial baud rate**

This command lets the user change the serial baud rate of the PC. This command accesses the computer hardware directly, permitting a wider range of baud rates than the MODE command can select. After PCbug11 executes the rate change, the new baud rate appears on the screen. Values beyond 9600 are available; the maximum baud rate is 38,400.

**Usage:**

BAUD	Display current serial baud rate
BAUD 19200	Change baud rate to 19,200

**NOTES**

To maintain talker contact, first set the MCU baud rate to the new value. Do this either by changing the appropriate talker code or by using the MS command to change the MCU baud rate register dynamically.

The default bootstrap download baud rate is 7812; the default talker communication baud rate is 9600. You may specify different rates when you start PCbug11 from the MS-DOS command line. Thus, PCbug11 and talker codes work without modification with different MCU crystal frequencies. For example, to start an MC68HC11A8 with a 4 MHz crystal, use the command PCBUG11 -A 3906. This tells PCbug11 to use half the default values for both download and talker communication.

Changing the baud rate affects the minimum EEPROM programming time, as the EEPROM programming algorithm relies on the serial data transfer time.

**Related commands:** none



**BF *addr1* [*addr2*] byte|word**

**Block fill memory with byte or word**

This command forces an 8- or 16-bit value into address *addr1* of MCU memory. If *addr2* also is specified, BF forces the value into the block of memory from address *addr1* through address *addr2*. If *addr1* is in an EEPROM block, an EEPROM algorithm stores the value (the difference is transparent to the user). This command includes automatic verification of the memory fill.

**Usage:**

BF \$1000 \$AA	Assign value \$AA to address \$1000
BF \$C000 \$CFFF \$D3	Assign value \$D3 to addresses \$C000—\$CFFF
BF \$00 \$FF \$AA55	Assign alternate values \$AA and \$55 to addresses \$00—\$FF
BF \$100 \$120 0 1	Assign alternate values 0 and 1 to addresses \$100—\$120

**NOTE**

To set the memory value to \$00, do not specify the \$00 in the most significant byte of a 16-bit value. PCbug11 interprets such a specification as an 8-bit value, leading to incorrect MCU memory addressing.

**Related commands:** DB, MD, MS





**BR [addr [macroname]]**

**Display or set breakpoint [with optional command macro execution]**

This command displays breakpoints or sets an entry in a breakpoint table. Breakpoints are set in MCU memory only when the user starts execution of code via the G command. Before passing control to user code, PCbug11 places an SWI instruction at every breakpoint address in the breakpoint table. PCbug11 also handles user-placed SWIs (though using some overhead), if the user SWI vector is downloaded from an S-record file via the LOADS command, and if there are no breakpoints at the user SWI instructions. Note that when PCbug11 first starts, it treats the MCU SWI vector as a user SWI vector.

If you use the BR command to set a breakpoint and you specify a macro in the macroname option, that macro starts when code execution reaches the breakpoint. (If no such macro has been defined, PCbug11 ignores this optional command entry.)

If you use the BR command to display breakpoints and you specify the associated macro in the macroname option, the macro name (in parentheses) follows the breakpoint in the display. If the macro specified is not currently defined, the macro name follows the breakpoint in the display, but with a question-mark indicator. If no such macro is defined, the indicator "—" follows the breakpoint in the display.

**Usage:**

BR	Display addresses of all user-defined breakpoints
BR \$C0F1 \$C045	Set breakpoints at MCU addresses \$C0F1 and \$C045
BR \$C023 DISPREG	Set breakpoint at MCU address \$C023; execute macro DISPREG when execution reaches this breakpoint

**Related commands:** BL, NOBR



**CALL addr****Execute the subroutine at addr**

This command directs the monitor to execute the MCU code at *addr*. (The MCU code must end with an RTS instruction.) The CALL command has the same effect as the MCU instruction *JSR <addr>*; the CALL command does not affect the current state of the monitor.

**Usage:**

CALL \$100

Execute the subroutine at address \$100

**Related command:** G, S







## CONTROL [parameter]

## Display or change PCbug11 system parameters

This command, without the parameter option, lists all the PCbug11 parameters that the user can modify. With a parameter specified, this command changes the parameter value. The usage paragraph, below, shows the available parameters.

At startup, PCbug11 determines if hardware access in the communications port is possible. If so, it uses this mode and enables direct RTS line control. If not, PCbug11 uses BIOS calls to the COM port. The RTS line can be programmed as a write-protect logic level for systems with external memory (see paragraph 4.4).

COM1 is the default communications port; the user can change this by adding **port=2** to the command line (as in PCBUG11 -XA port=2). PCbug11 sets up PPROG and EPROG values, to the same address if the part operates that way. Note that the code presumes that the bit positions of these registers are those of the 711E9 MCU.

### Usage:

CONTROL HARDWARE	Access serial COM port directly through hardware
CONTROL BIOS	Access serial COM port through BIOS calls
CONTROL RTS	Control RTS directly
CONTROL PROTECT	Use RTS to provide memory write-protection
CONTROL TIMEOUT value	Specify value of serial COM timeout during input
CONTROL COM1	Use COM1 port
CONTROL COM2	Use COM2 port
CONTROL ERRMSG 0	Disable display of memory error messages
CONTROL ERRMSG 1	Enable display of memory error messages
CONTROL LAST	Toggle the last error message window on or off
CONTROL PPROG address	Change the EEPROM register address
CONTROL EPROG address	Change the EPROM register address

A special use of the CONTROL command is the BASE option, which lets you change the PCbug11 default number base. At startup, the PCbug11 default number base is 10. To change the default base or return to base 10, follow these examples:

CONTROL BASE HEX	Change default base to 16
CONTROL BASE DEC	Change default base back to 10
CONTROL BASE BIN	Change default base to 2

**Related commands:** DEFM, LOADM, SAVEM (for details of macro libraries)

**DASM *addr1* [*addr2*]****Disassemble from *addr1* [to *addr2*]**

This command disassembles MCU memory, showing disassembled code in the main window. If you specify both *addr1* and *addr2* values, DASM disassembles code from *addr1* to *addr2*. If you specify only the *addr1* value, DASM starts at *addr1*, disassembling 15 bytes of code (plus any additional bytes needed to finish an instruction). A special case of using only the *addr1* parameter is to give it the current value of the program counter. In this case, DASM disassembles one line of code.

Screen display of disassembled code stops when the screen is filled. To continue the display, press any key except ESC. To terminate disassembly, press the ESC key.

Using the DASM command is a convenient way to trace program code when using a trace macro. Such a macro should contain the command *DASM \**.

**Usage:**

DASM \$B3	Disassembles MCU addresses \$B3—\$C2
DASM \$BF00 \$BFFF	Disassembles MCU addresses \$BF00—\$BFFF

**Related commands:** ASM



---

**DB startaddr [endaddr]****Display MCU memory**

This command displays the contents of memory, from *startaddr* through *endaddr*. If the command does not include an *endaddr* value, PCbug11 displays the contents of 15 memory locations, starting with *startaddr*.

**Usage:**

DB \$1000	Display contents of memory addresses \$1000—\$100F
DB \$C000 \$CFFF	Display contents of memory addresses \$C000—\$CFFF

**Related commands:** BF, MD, MS



**DEBUG**

**Reserved word**

This command is reserved for developmental use. Do not use DEBUG as a label.



---

**DEFINE symbol value|address****Define a symbol**

This command explicitly defines a symbol and specifies the symbol value. The symbol consists of case-sensitive letters (abc does not equal ABC). The symbol value is a specific value or the address of the memory location that contains the value. Such symbols can be more obviously significant than numerical values in some contexts. PCbug11 reads such a symbol as if reading the value. A disassembly listing shows the symbol, not the value, for better readability.

**Usage:**

```
DEFINE PORTA $1000    Define symbol PORTA = $1000
DEFINE mask1 45       Define symbol mask1 = 45 ($2D)
```

**Related commands:** LS, UNDEF



**DEFM macrnam|TRACE|AUTOSTART****Define command, trace, or autostart macro**

This command lets the user create a command sequence (a macro) that can be executed merely by typing the name of the macro. As many as 10 parameters can be passed to a command macro. Within the macro, the required parameter is specified by the operator @N, where N is a single-digit number, 0—9. The syntax and use of pass parameters is the same as in Motorola assemblers. The macrnam can be any sequence of alphanumeric characters except reserved words. More than one macro is allowed at the same time; macros can be nested in as many as five levels. Macros are held in macro libraries, which can be saved on disk, then reloaded as needed.

Use the main window for the macro definition. The definition may include the names of other macros. To end the definition, press the ENTER/RETURN key on a blank line. A defined macro can be edited within PCbug11 via the EDITM command. The macro also can be edited via a standard text editor once the file has been saved. This is because PCbug11 saves macros in a special text format (see LOADM). (Using the text editor is another way to define a macro, if the definition is in the special text format.)

**NOTE**

If the specified macro name already exists, the new macro definition overwrites the old.

The reserved parameter name TRACE lets the user define a macro that is executed at the completion of every T (trace) command.

The reserved parameter name AUTOSTART lets the user define a macro that is executed automatically during PCbug11 startup. To enable this autostart feature, use the SAVEM command to save the macro library that contains the AUTOSTART macro. Then, from MS-DOS, specify the macro library name as the last parameter on the command line. For example, from PCbug11:

```
DEFM AUTOSTART
    (Type macro definitions in main window, then press the ESC key.)
SAVEM STARTUP
QUIT (To quit PCbug11)
```

Then, from the PC command line:

```
PCBUG11 -XA STARTUP
    (Loads STARTUP library, executes AUTOSTART.)
```



---

---

**DEFM macrnam|TRACE|AUTOSTART      Define command, trace, or  
autostart macro      (continued)****Usage:**

DEFM CONFIG	Define macro called CONFIG
DEFM TRACE	Define macro to be executed after the T command
DEFM AUTOSTART	Define macro for automatic execution on PCbug11 startup

**Related commands:**    CLR, DELM, EDITM, LOADM, LST, SAVEM

**DELM macrnam|TRACE|AUTOSTART****Delete command, trace, or autostart macro**

This command deletes a macro definition, freeing memory space for other use.

**Usage:**

DELM CONFIG	Delete CONFIG macro name and definition
DELM TRACE	Delete macro name and definition used by the T command
DELM AUTOSTART	Delete autostart macro

**Related commands:** CLRM, DEFM, EDITM, LOADM, LSTM, SAVEM



---

**DIR [mask]****Display disk directory**

This command displays the contents of the current directory, or of the directory specified by the mask parameter.

**Usage:**

DIR	Display contents of the current directory
DIR * .MCR	Display all current-directory files that have the extension .MCR (macros)
DIR \	Display all files in the root directory
DIR ..\* .PAS	Display all files in the directory above the current one that have the extension .PAS

**Related command:** TYPE

**DOS [command]****Shell to DOS or execute DOS command**

This command causes PCbug11 to shell to MS-DOS. If this command includes a specified command parameter, PCbug11 shells to MS-DOS and executes the command. Then program control returns to PCbug11.

If this command does not have a specified command parameter, program control remains in DOS. The simple way to return to PCbug11 is to type EXIT at the DOS prompt. Optionally, to carry out other actions while returning to PCbug11, the user can run the program PCBUGRTN.EXE. (The user may customize the PCBUGRTN.EXE program, as appropriate.)

If used, the program PCBUGRTN.EXE must be stored in the same directory as PCBUG11.EXE.

**Usage:**

DOS COPY \*.TXT a:/V      *Shell to DOS, execute command, and return to PCbug11*

**Related commands:**    SHELL



**EDITM macrnam**

**Edit a macro**

This command lets the user edit a macro already defined and loaded into PCbug11. As many as 10 lines of the macro appear on the screen. Table 3-4 lists the EDITM edit keys.

To move from line to line, press an arrow key. There is no direct command to delete a line; after the edit, PCbug11 automatically removes lines that contain no characters. Similarly, PCbug11 removes any leading spaces from lines.

If the named macro does not exist, the EDITM command creates the macro as a null macro. If the user edits a null macro, only the first (blank) line of the macro appears.

**Table 3-4. EDITM Edit Keys**

Key	Function
Alphanumeric	If the insert function is on, inserts the new character before the current character. If the insert function is off, replaces the current character with the new.
Del	Deletes the character under the cursor.
Ins	Toggles the insert function on and off; default is on.
Enter	Inserts a new line after the current line.
Page down	Displays the 10 lines after the current line.
Page up	Displays the 10 lines before the current line.
Esc	Aborts the edit, without saving the macro.
F3	Stops the edit, saving changes in the macro library. (The ALT-E and ALT-Q key combinations do the same thing.)

**Usage:**

EDITM macrol                      Starts edit of the macro **macrol**

**Related commands:**    CLRM, DEFM, DELM, LOADM, LSTM, SAVEM



**EEPROM [startaddr [endaddr]]**

**Display, clear, or set EEPROM address range(s)**

This command lets the user transparently perform memory modify operations on the MCU internal EEPROM, including the CONFIG register. Once the user enters this command with startaddr and endaddr address values, the appropriate EEPROM programming algorithm handles all memory write operations within that range.

If the user enters the EEPROM command without any parameter values, PCbug11 displays memory address ranges to which the EEPROM algorithm applies. Using this command with an address for just the startaddr parameter enables a write to that address to use the EEPROM algorithm. Giving the startaddr parameter the value 0 is a special case: this clears all EEPROM address ranges.

**NOTE**

Make sure that the startaddr—endaddr range does not include the PPROG register; otherwise this command does not work.

**Usage:**

EEPROM	Display memory address ranges to which the EEPROM algorithm applies
EEPROM 0	Clear all EEPROM address ranges
EEPROM \$103F	Enable a write to address \$103F to use the EEPROM algorithm
EEPROM \$B600 \$B6FF	Enable writes within the range \$B600—\$B6FF to use the EEPROM algorithm

**Related commands:** EPROM

**EEPROM DELAY option****Set EEPROM erase or write programming time**

This command lets the user specify EEPROM erase and write programming time, within the range *minimum-delay* to 255 mS. The value of *minimum-delay* is approximately 120 divided by the serial baud rate; for a 9600 baud rate, *minimum-delay* is 12 mS.

**NOTE**

This command also applies to EPROM programming time; the EPROM DELAY command applies to both EPROM and EEPROM. This requires coordination in order to use both commands.

**Usage:**

EEPROM DELAY 20	Set the erase and write time delay to 20 mS
EEPROM DELAY	Display the current time delay

**Related command:** EPROM DELAY





**EEPROM ERASE [option] [addr]**

**Display or change EEPROM erase-before-write function; bulk erase EEPROM**

This command lets the user enable or disable the EEPROM byte erase-before-programming function. The default value is *enabled*. The BULK option specifies bulk erasure of the EEPROM, \$B600—\$B7FF, or at a specified address.

**NOTES**

The erase-before-programming function should be enabled before you execute ASM, BR, T, or other commands that may modify non-erased EEPROM.

The BULK option automatically disables the erase-before-programming function. This permits the fastest downloads of S-records to EEPROM, via the LOADS command. The bulk erase time defaults to approximately 200 mS.

**Usage:**

- EEPROM ERASE                      Display EEPROM erase-before-write state
- EEPROM ERASE DISABLE      Disable erase-before-write function
- EEPROM ERASE ENABLE        Enable erase-before-write function
- EEPROM ERASE BULK            Bulk erase EEPROM array, starting at \$B600
- EEPROM ERASE BULK \$E000    Bulk erase EEPROM array, starting at \$E000

**Related commands:**    none



**EPROM [startaddr [endaddr]]**

**Display, clear, or set EPROM address range(s)**

This command lets the user transparently perform memory modify operations on the MCU internal EPROM. Once the user enters this command with startaddr and endaddr address values, the appropriate EPROM programming algorithm handles all memory write operations within that range.

If the user enters the EPROM command without any parameter values, PCbug11 displays memory address ranges to which the EPROM algorithm applies. Using this command with an address for just the startaddr parameter enables a write to that address to use the EPROM algorithm. Giving the startaddr parameter the value 0 is a special case: this clears all EPROM address ranges.

This command affects the instructions ASM, LOADS, MOVE, MS, NOBR, and T.

**NOTE**

In general, the EPROM command only operates if an external programming voltage is applied. The programming voltage *should not* be present before Vcc is present or after Vcc is removed. Usually, the programming voltage is applied to the XIRQ pin; this prohibits use of an XIRQ talker. Consult the M68HC11 data or information sheet before using PCbug11 with EPROM programming.

**Usage:**

EPROM	Display memory address range to which the EPROM algorithm applies
EPROM 0	Clear all EPROM address ranges
EPROM \$D000 \$FFFF	Enable writes within address range \$D000—\$FFFF to use the EPROM algorithm

**Related commands:** EEPROM

**EPROM DELAY option****Set EPROM erase or write programming time**

This command lets the user specify EPROM erase and write programming time, within the range *minimum-delay* to 255 mS. The value of *minimum-delay* is approximately 120 divided by the serial baud rate; for a 9600 baud rate, *minimum-delay* is 12 mS.

**NOTE**

This command also applies to EEPROM programming time; the EEPROM DELAY command applies to both EEPROM and EPROM. This requires coordination in order to use both commands.

**Usage:**

EPROM DELAY 20	Set the erase and write time delay to 20 mS
EPROM DELAY	Display the current time delay

**Related command:** EEPROM DELAY



**FIND byte|word addr1 addr2**

**Find all occurrences of byte or word between addr1 and addr2**

This command searches through the specified memory address range for as many as four consecutive byte or word values. The addresses of the occurrences appear in the main window. A byte parameter value must be in the range \$00—\$FF; a word parameter value must be in the range \$100—\$FFFF. If the pattern contains leading zeros, the first parameter after FIND must be the byte count of the pattern searched for.

**Usage:**

- FIND \$AA \$E000 \$E3FF Find all occurrences of \$AA in range \$E000—\$E3FF
- FIND \$AA55 \$B600 \$B7FF Find all occurrences of \$AA55 in range \$B600—\$B7FF (that is, in M68C11A1 EEPROM)
- FIND 2 \$0012 \$F800 \$FFFF Find all occurrences of \$0012 in range \$F800—\$FFFF
- FIND 3 \$00 \$1234 \$C000 \$DFFF Find all occurrences of \$001234 in range \$C000—\$DFFF

**Related commands:** none

**FIND mnemonic addr1 addr2****Find all occurrences of mnemonic between addr1 and addr2**

This command searches through the specified memory address range for as many as four characters of specific assembler code. The wild-card operator (?) in the mnemonic parameter forces a search for the opcode only. If the mnemonic addressing mode is not an indexed one, the symbol #, <, or > must begin the operand value. These symbols mean *immediate*, *direct*, and *extended*, respectively.

**NOTE**

Different commands have different wild-card operators. For this command, the wild-card operator is the question mark ( ? ).

**Usage:**

```
FIND LDAA >$1234 $E000 $E200 Find all occurrences of LDAA >$1234 in range
                                $E000—$E200

FIND LDAB $34,X $C230 $C560 Find all occurrences of LDAB $34,X in range
                                $C230—$C560

FIND LDX #? $F000 $F2FF Find all occurrences of immediate load X opcode in range
                                $F000—$F2FF
```

**Related commands:** none

**G [addr]****Start user code execution**

This command directs the MCU to start execution of user code at the value in the current program counter, or at the address specified in the addr parameter.

**Usage:**

G	Start program execution at current program counter
G \$B600	Start program execution at address \$B600

**Related command:** CALL, S

**HELP [command]****Display help information**

This command displays help information in a temporary help window. If there is no value for the command parameter, the default information is a general help display. If there is a command parameter value, the information pertains to that command. Use the up-arrow, down-arrow, page-up and page-down keys to scroll through the help window. To clear the help window, press the ESC key.

Help information is stored in a text file called PCBUG11.HLP.

**Usage:**

HELP	Display general help file
HELP RS	Display help file for RS command

**Related commands:** none

**KLE****Kill last error message**

This command clears the last-error/breakpoint window.

**Usage:**

KLE Clear last error message or breakpoint from window

**Related command:** CLS



**LOADM [filename [macroname]]****Load macro definitions  
from default or user file**

This command loads a library file of previously defined macros; the filename parameter specifies the library file. The macros must have been stored on disk via the SAVEM command, or must have been created via a text editor. PCbug11 checks the format of the file against the macro rules. If the format of the specified file is valid, PCbug11 adds the library file to any existing library.

The macroname parameter specifies immediate execution of a macro in the newly loaded file. The default extension for loading macro libraries is .MCR.

Macro files must have this text format:

```
DEFM macroname
BEGIN
    macro-instructions
END
```

where *macroname* is the name of the macro being defined, and *macro-instructions* are the PCbug11 instructions that constitute the macro. Comments, enclosed in braces ( { } ), are allowed. Note that loading PCbug11 strips out macro comments. The symbol @ passes parameters into macros. That is, when a macro is called, the first parameter value replaces @0, the second parameter value replaces @1, and so forth.

**Usage:**

LOADM	Load macro library from default file PCBUG11.MCR
LOADM USERLIB	Load macro library from files USERLIB.MCR
LOADM A A	Load macro library from file A.MCR, and immediately execute the macro A

**Related commands:** CLRM, DEFM, DELM, EDITM, LSTM, SAVEM



**LOADS filename [loadaddr]**

**Load S-record file into MCU memory**

This command loads valid S1 records from the file specified by the *filename* parameter into MCU memory. If the command does not have a *loadaddr* value, PCbug11 loads the records into the addresses specified in the load-address field of the S-record. The *filename* parameter lets the user specify any path or drive letter, according to the rules of MS-DOS. Note that this command ignores records other than S1 records; it also ignores blank lines. An invalid format line may cause an error message.

The *loadaddr* parameter lets the data be relocated during loading. During loading, to give the monitor priority, PCbug11 traps these mode-dependent user vectors:

In bootstrap mode:

SWI — for breakpoint and trace processing

In external mode:

RESET — to start the monitor after a hardware reset

SWI — for breakpoint and trace processing

XIRQ — for the external ACIA to provide highest-priority host communication

All these vectors are available to the user, but their execution requires a slight speed overhead. If no user breakpoints are defined, user SWI instructions are executed in real time, with no monitor overhead. Refer to the source listings of the appropriate talker code to determine the effects of user RESET and XIRQ on specific software.

**Usage:**

- |                      |  |
|----------------------|--|
| LOADS MYPROG         | Load the S-record file MYPROG.S19 to the target addresses the file specifies   |
| LOADS YOURPROG.OUT   | Load the S-record file YOURPROG.OUT to the target addresses the file specifies |
| LOADS HISPROG \$E000 | Load the S-record file HISPROG.S19 offset to address \$E000                    |

**Related commands:**   VERF



## LS symbol

## Display symbols

This command displays all currently defined symbols. The wild-card character ( \* ) may only be at the end of a *symbol* parameter value.

### NOTE

Different commands have different wild-card operators. For this command, the wild-card operator is the asterisk ( \* ).

### Usage:

LS *	Display all symbols
LS one	Display the value of symbol one
LS PORT*	Display all symbols that start with the letters PORT

**Related commands:** DEFINE, UNDEF



**LSTM [mname|TRACE|AUTOSTART]**

**Display macro names or definitions**

This command displays all macro names in the current library, or displays the expanded definition of a specified macro. If such a definition includes the names of other macros, each nested level is indented in the screen display.

**Usage:**

LSTM	Display names of all macros in the current directory
LSTM CONFIG	Display the definition of the macro CONFIG
LSTM TRACE	Display the definition of the macro used after execution of the TRACE command
LSTM AUTOSTART	Display the definition of the macro AUTOSTART

**Related commands:** CLRM, DEFM, DELM, EDITM, LOADM, SAVEM

**MD startaddr [endaddr]****Display MCU memory**

This command displays the contents of memory, from *startaddr* through *endaddr*. If the command does not include an *endaddr* value, PCbug11 displays the contents of 15 memory locations, starting with *startaddr*.

**Usage:**

MD \$1000	Display contents of memory addresses \$1000—\$100F
MD \$C000 \$CFFF	Display contents of memory addresses \$C000—\$CFFF

**Related commands:** BF, DB, MS



---

**MM addr****Modify memory from addr**

This command lets the user modify memory contents, starting at the specified address. After changing a value, press return to move to the next address. To step through memory without changing values, press return repeatedly, or press the up-arrow or down-arrow keys. To modify a memory value without stepping to the next address, include the character = on the command line. To end the memory-modify operation, press the ESC key or end the command line with a period.

If the memory area already has been defined as EEPROM or EPROM, the modify is transparent to the user.

**NOTE**

The MM command accepts only hexadecimal values. It does not accept any values after a period.

**Usage:**

MM \$100

Modify memory from address \$100

**Related commands:** BF, DB, MD, MS

**MOVE addr1 addr2 addr3****Move memory between addr1  
and addr2 to addr3**

This command moves memory contents between *addr1* and *addr2* to *addr3*, without altering the contents. If the memory area already has been defined as EEPROM or EPROM, the move is transparent to the user.

**Usage:**

MOVE \$100 \$150 \$200    Move \$50 bytes from \$100 to \$200

**Related command:**    none



**MS addr byte|word [byte|word]**

**Set MCU memory byte(s)  
or word(s)**

This command forces as many as nine 8- or 16-bit values into MCU memory, starting at address *addr*. If *addr* is in an EEPROM block, an EEPROM algorithm stores the value (the difference is transparent to the user).

**NOTE**

To set the memory value to \$00, do not specify the \$00 in the most significant byte of a 16-bit value. PCbug11 interprets such a specification as an 8-bit value, leading to incorrect MCU memory addressing.

**Usage:**

MS \$1000 \$AA	Assign value \$AA to address \$1000
MS \$C000 \$1234 \$56	Assign values \$12, \$34, and \$56 to addresses \$C000, \$C001, and \$C002
MS \$50 \$55AA \$FF00	Assign values \$55, \$AA, \$FF, and \$00 to addresses \$50, \$51, \$52, and \$53

**Related commands:** BF, DB, MD, MM



**MSG [string]****Display message in main window**

This command displays the *string* parameter value on the screen. Alternatively, this command toggles the RTS line (power supply or write-protect control); use the *string* value **^P** for this alternative role.

**Usage:**

MSG	Display a blank line in the main window
MSG ^P	Toggle the logic level on the RTS line
MSG Hello World	Display the message <b>Hello World</b> in the main window

**Related commands:** none

**NOBR [address]****Remove all or specified breakpoints**

This command removes the specified breakpoint from the internal breakpoint table. If there is no *address* parameter value, this command removes all breakpoints from the table and restores the SWI vector to its previous state. (This implies that if a user SWI vector previously has been installed via the LOADS command or was detected upon PCbug11 startup, then user SWIs run in real time without intervention by PCbug11.)

**Usage:**

NOBR	Remove all breakpoints and restore previous SWI vector
NOBR \$E034	Remove breakpoint at address \$E034

**Related command:** BL, BR

**PAUSE [mS]****Wait for any key press or delay time**

This command delays execution of a macro until a specified time elapses, until the user presses a key, or until the byte value \$4B is received on the PC serial port. This lets the target MCU control the execution of PCbug11 macro commands.

**Usage:**

PAUSE	Suspend macro execution until the user presses a key or until the value \$4B is received on the PC serial port
PAUSE 1000	Suspend macro execution for 1000 mS

**Related command:** WAIT



---

**PRINT****Display PCbug11 version number**

This command displays the PCbug11 startup message, which includes the Motorola copyright message and the revision number.

**Usage:**

PRINT    Display the revision number

**Related command:**    VER




---

**PROTECT [startaddr [endaddr]]                      Display, clear, or set write-protected address range(s)**

If this command has no parameter values, it displays the ranges of write-protected memory. If this command has the parameter value 0, it clears all write-protected memory ranges. If this command has other parameter values, it inhibits PCbug11 from writing to any internal or external MCU memory location: any subsequent PCbug11 memory modify attempt causes an error message instead of a memory modification.

Note, however, that the PROTECT command does not inhibit the user's own MCU code.

**Usage:**

PROTECT	Displays all write-protected memory address ranges
PROTECT 0	Clears all write-protected memory address ranges
PROTECT \$102B	Prevents PCbug11 from writing to the BAUD register
PROTECT \$FFC0 \$FFFF	Prevents PCbug11 from changing any MCU vectors

**Related commands:**    none

**QUIT [Y]****Terminate PCbug11 session  
[without confirming]**

This command terminates the PCbug11 session. If this command includes the *Y* parameter, termination happens at once. If this command does not include the *Y* parameter, a prompt asks for user confirmation before terminating the session.

Note that termination of the PCbug11 session does *not* check that breakpoints are cleared or that macros are saved.

**Usage:**

QUIT	Terminates PCbug11 session after user confirmation
QUIT Y	Terminates PCbug11 session immediately

**Related commands:** none

**RD [T]****Display or trace MCU registers**

If this command does not include the *T* parameter, it displays, in the register window, the current value of the MCU registers. If this command does include the *T* parameter, register values appear in the main window, so the user can see a continuous register trace.

The user may execute this command while the MCU executes user code. Careful use of both forms of this command let the user freeze the MCU state at a particular point (via RD) while displaying the newest state (via RD T).

**Usage:**

RD	Display current MCU register values in the register window
RD T	Display register values in the main window

**Related commands:** RM, RS



## RESET [addr]

## MCU hardware reset with existing or new reset vector

This command directs the MCU to generate a hardware reset. The MCU also starts execution of user code at the *addr* value, if this parameter is part of the command (or if a previous RESET command contained an *addr* value).

Once the reset occurs, the default implementation of PCbug11 re-initializes the talker code. Then the MCU idles, if no *addr* value was specified. If an *addr* value was specified, talker code jumps to that address. Note that once a RESET command specifies an *addr* value, the PC retains that value until another RESET command specifies a different *addr* value.

Refer to the appropriate talker code source listing for details.

The RESET command first instructs the MCU to generate an internal reset, via the clock monitor fail detector. This internal reset forces the external RESET pin low, stimulating the external hardware reset. To trip the clock monitor fail detector, PCbug11 downloads and executes this code in a reserved area of RAM:

```

    STY cme_jump          clock monitor fail jump address
    STAA OPTION,X         OPTION=$39
    STAB TEST1,X          TEST1=$3E
    STOP
    JMP user_start        <- in case STOP does not generate clock
                        monitor enable (CME) reset
    
```

where Y = user reset address, X = \$1000 (the default I/O register base address for the MCU), and ACCA = \$08 (enables the clock monitor in the OPTION register).

The values passed to ACCB, CCR, and Y depend on the MCU type and operating mode:

- **Bootstrap mode:** For an A8 MCU only, set ACCB = 0 to clear the DISR bit of the TEST1 register. For all other MCUs, set ACCB = 4 to force the clock monitor reset by setting the FCM bit of the TEST1 register. For all devices, set CCR = \$40 to enable the STOP instruction and enable I-bit interrupts. This value also disables XIRQ, permitting execution of the instruction after STOP if all else fails. The user reset address is \$0000.
- **Expanded mode:** For all MCUs, the TEST1 register is not accessible, so set ACCB = \$0. Set CCR = \$40 to enable the STOP and XIRQ and disable I-bit interrupts. The user defines the reset address in the appropriate TALKERXX.MAP file.





**RESET [addr]**

**MCU hardware reset with existing  
or new reset vector (continued)**

This command starts with an internal reset. This internal reset is like an external hardware reset, except that the MCU uses the COP clock vector instead of the RESET vector (provided that external capacitance does not delay the rising edge of the reset output signal). Refer to the M68HC11 data book and user manual for details.

**Usage:**

- |              |   |
|--------------|---|
| RESET        | Force the MCU to reset and run code from the default address or the address previously supplied |
| RESET \$B600 | Force the MCU to reset and run code from address \$B600   |

**Related commands:** none



---

**RESTART [option]****Restart PCbug11 with same or new option**

This command performs a complete restart of the monitor. This command is equivalent to the MS-DOS command *PCBUG11 option*, but retains command macros. Assembler macros and symbols are lost.

RESTART is useful should a complete communication failure occur, or if the MCU is given an external hardware reset in bootstrap mode.

**Usage:**

RESTART	Restart the monitor with the option specified during first execution of PCbug11
RESTART -XE	Restart the monitor with the -XE option (equivalent to the command PCBUG11 -XE)

**Related commands:** none





---

**RS register value****Set value of MCU register**

This command lets the user force the value of any one MCU register, updating the register window. Valid options for the register are: PC, ACCA, ACCB, X, Y, CCR, and SP.

**Usage:**

RS ACCA \$61                      Assign value \$61 to MCU accumulator A

**Related commands:**    RD, RM



**SAVEM [filename]****Save macro definitions in user  
or default file**

This command saves on disk the library of macros created via the DEFM command, appending the extension *.MCR* to each file. The macro files are normal text files that may be edited with standard text editors. But the macros must remain in the special macro format in order to be reloaded into PCbug11. (The explanation of the LOADM command explains this format.) If the SAVEM command does not have a *filename* parameter, PCbug11 uses the default name *PCBUG11*.

**NOTE**

Be careful about saving a library to the same file the library was loaded from. As PCbug11 strips out comments, saving the loaded file back to the same library overwrites the original files with the no-comment equivalents.

**Usage:**

SAVEM USERLIB	Save macro library in file USERLIB.MCR
SAVEM	Save macro library in default file PCBUG11.MCR (equivalent to command SAVEM PCBUG11)

**Related commands:** CLRM, DEFM, DELM, EDITM, LOADM, LSTM

**SHELL [command]****Shell to DOS or execute DOS command**

This command causes PCbug11 to shell to MS-DOS. If this command includes a specified command parameter, PCbug11 shells to MS-DOS and executes the command. Then program control returns to PCbug11.

If this command does not have a specified command parameter, program control remains in DOS. The simple way to return to PCbug11 is to type EXIT at the DOS prompt. Optionally, to carry out other actions while returning to PCbug11, the user can run the program PCBUGRTN.EXE. (The user may customize the PCBUGRTN.EXE program, as appropriate.) If used, the program PCBUGRTN.EXE must be stored in the same directory as PCBUG11.EXE.

**Usage:**

```
SHELL COPY *.TXT a:/V      Shell to DOS, execute command, and return to PCbug11
```

**Related command:** DOS

**T [addr]****Trace user code**

This command single-step traces program code from the address specified by the *addr* parameter to the next logical address. If the command does not have an *addr* parameter value, tracing begins from the address in the program counter. This command places an SWI at the next executable address or addresses. If a command macro called TRACE has been defined, PCbug11 executes this macro automatically at the completion of the T command.

A useful trace macro is:

```
RD
DASM *
```

If the next executable instruction involves a branch to the current address, the trace is disabled to allow the instruction to execute. However, PCbug11 still displays the TRACE state. As the talker is interrupt driven, this does not cause any monitor problem; all PCbug11 commands remain available.

**Usage:**

T	Trace program code from program-counter address
T \$100	Trace program code from address \$100

**Related commands:** none



**TERM [X1 Y1 X2 Y2]****Simple windowed terminal emulator**

If this command has no parameter values, it starts a simple terminal emulator at the currently defined window coordinates. The optional parameter values *X1*, *Y1*, *X2*, and *Y2* redefine the window:

<i>X1</i>	Left column
<i>Y1</i>	Top row
<i>X2</i>	Right column
<i>Y2</i>	Bottom row

If any parameter value is used, all must be used. Once these values are specified in a TERM command, they remain in force until replaced in another TERM command.

To quit the terminal emulator, press the Esc key.

**Usage:**

TERM	Open terminal emulator at default or at coordinates previously specified
TERM 0 0 20 20	Open terminal emulator in a window 20 columns by 20 rows, at the upper left corner of the screen

**Related commands:** none



---

**TYPE filename****Display disk file in main window**

This command displays the contents of the specified file. Standard DOS path names apply.

**Usage:**

TYPE RUNTIME.MCR	Display file RUNTIME.MCR, from the current directory
TYPE \TEMP.BIT	Display file TEMP.BIT, from the root directory
TYPE ..\LIST.PAS	Display file LIST.PAS from the directory above the current directory

**Related command:** DIR



## UNDEF symbol

## Undefine a symbol

This command removes a symbol from the symbol table list. The wild-card character ( \* ) may only be at the end of a *symbol* parameter value.

### NOTE

Different commands have different wild-card operators. For this command, the wild-card operator is the asterisk ( \* ).

### Usage:

UNDEF one	Clear the symbol one
UNDEF PORT*	Clear all symbols that start with the letters PORT
UNDEF *	Clear all symbols

**Related commands:** DEFINE, LS



**VERF filename [memaddr]****Verify S-record disk file against memory**

This command verifies contents of S1 records in the specified file against MCU memory at the specified *memaddr* address. If this command does not have a *memaddr* address, it verifies the S1 records against MCU memory at the addresses specified in the S1-record load address fields.

The default extension of *filename* is .S19. The default path is the current working directory, but the user may specify any path or drive letter according to the rules of MS-DOS. Note that this command ignores blank lines. An invalid format line may cause an error message.

**Usage:**

VERF MYPROG	Verify the S-record file MYPROG.S19 at the target addresses specified in the file
VERF YOURPROG.OUT	Verify the S-record file YOURPROG.OUT at the target addresses specified in the file
VERF HISPROG \$E000	Verify the S-record file HISPROG.S19 offset at address \$E000

**Related commands:** LOADS



---

**VERF ERASE *addr1* [*addr2*]****Verify that memory contains \$FF**

This command verifies erasure of the specified memory range, that is that memory blocks in the range contain the value \$FF. If this command contains only an *addr1* value, only the *addr1* byte is checked. After executing this command, PCbug11 lists any memory locations not erased.

**Usage:**

VERF ERASE \$100                    Verify that block \$100 is erased  
VERF ERASE \$E000 \$FFFF        Verify that range \$E000—\$FFFF is erased

**Related commands:**    none

**VERF SET addr1 addr2 value****Verify that memory contains the value**

This command verifies that the specified memory range contains the specified single-byte value. After executing this command, PCbug11 lists any memory locations that do not contain the value.

**Usage:**

```
VERF SET $100 $1FF $35  Verify that range $100—$1FF contains the value $35
```

**Related command:** none



---

**WAIT [mS]****Wait for ms**

This command delays execution of a macro until a specified time elapses, until the user presses a key, or until the byte value \$4B is received on the PC serial port. This lets the target MCU control the execution of PCbug11 macro commands.

**Usage:**

WAIT	Suspend macro execution until the user presses a key or until the value \$4B is received on the PC serial port
WAIT 1000	Suspend macro execution for 1000 mS

**Related command:** PAUSE





## CHAPTER 4

### ADVANCED TOPICS

#### 4.1 INTRODUCTION

This chapter consists of more detail about advanced PCbug11 topics, including macros, trace, breakpoints, and talkers.

#### 4.2 MACROS

A useful PCbug11 feature is letting the user execute a common command sequence by typing a single instruction: a *macro*.

You may define macros either in PCbug11 or via an external text editor. It is possible to define more than one macro while using PCbug11. The area where macros are held is the macro library.

Macros have two main elements: names and definitions. A macro name is a sequence of as many as 80 letters, except for character sequences that form PCbug11 reserved commands. To run a macro, enter its name, just as you would any PCbug11 command.

A macro definition consists of the commands, in order, that make up the macro. A macro definition can include other macros: a macro can call another macro (but the macro cannot call itself). This nesting of macros can be as deep as five levels.

Macro definitions can include as many as 10 parameters. When the macro is called, the parameter values in the calling statement or command take the place of the parameters in the definitions. The symbol @, followed by a digit, denotes a parameter in a macro definition: @0 denotes the first parameter, @1 denotes the second parameter, and so forth, through @9 for the tenth parameter.



The only limit to the PCbug11 macro library is the amount of computer memory. There is no limit on the number of macros, so long as their collective definitions do not exceed the memory-size limit. Defining a new macro that has the same name as a previous macro deletes the previous macro (a warning message alerts the user before PCbug11 carries out the deletion.)

Terminating PCbug11 eliminates the macro library. However, you may store the macro library on a disk before terminating PCbug11, for reloading the next time you activate PCbug11. Macros are stored on disk in a special format; PCbug11 generates this format automatically for macros defined in PCbug11. You may edit stored macros, via a standard text editor, provided you retain the special format. Reloading a stored macro library adds all macros of that file to the current macro library.

#### 4.2.1 Defining Macros

There are two ways to define macros. One way is to define the macro within PCbug11: type DEFM, followed by the name of the new macro. PCbug11 then accepts command lines from the user, placing these lines in the macro library under the macro name. This is the quickest and easiest way to define macros.

Another way to define macros is to write definitions in text files, in a standard format. (The DEFM command explanation, in Chapter 3, shows this format.) The first line of such a macro must contain *DEFM*, followed by the macro name. The second line is the one word *BEGIN*. Any number of subsequent lines, each containing a command (and possible parameters), follow the *BEGIN* line. The last line of the macro is the one word *END*. Any line of the macro may include a comment, enclosed in braces ( { } ); PCbug11 ignores comments.

For example, this is the definition of a macro named RUNIT:

```

DEFM RUNIT      {Macro definition}
BEGIN
    LOADS @0    {Load the S-record the first parameter names}
    VERF @0     {Verify the S-record}
    G @1        {Run a program at the second parameter}
END

```

Once defined and loaded, this macro lets the user load, verify, and run a program with one command. To load and verify the S-record TRYIT.S19, then run the S-record from address \$E000, the user enters only:

```
RUNIT TRYIT $E000
```



#### 4.2.1.1 Autostart Macros

Automatic macro loading is possible when you run PCbug11 from the DOS prompt. To arrange this, include the *macro=* option in the command line. If the specified macro library contains AUTOSTART, the macro runs before the user begins work.

The autostart macro can receive parameter values passed from the command line. For example, this AUTOSTART macro verifies that a certain area of MCU memory is erased (that is, contains the value \$FF):

```
DEFM AUTOSTART
BEGIN
    VERF ERASE @0 @1
END
```

If this macro is stored in a macro library file called CHECK, the user can verify EEPROM erasure of an M68HC11E9 MCU by entering this runtime command:

```
PCBUG11 -XE MACRO=CHECK ($B600 $B6FF)
```

Once PCbug11 starts, the macro AUTOSTART runs automatically, using the parameter values in parentheses from the runtime command.

#### 4.2.1.2 Null Macros

A null macro is one that does not contain any commands. A null macro is a useful reminder for development work, when a macro will be needed, but its exact operation is not yet clear. A null macro can be run, saved, stored, and deleted, just as any other macro. The definition for such a null macro is:

```
DEFM macro1
BEGIN
END
```

### 4.2.2 Editing Macros

There are two ways to edit a macro. One way is to use the EDITM command, which lets the user alter a macro from within PCbug11. The EDITM entry of Chapter 3 explains more about such editing.

The other way to edit a macro is to do so in a text file, using any standard text editor. This method lets the user include comments in the file. Macros in text files may be regarded as source files for PCbug11. In fact, PCbug11 uses an interpreter, not a compiler, to run macros, but text files are easier to maintain than libraries created within PCbug11. Note that the DOS command lets the user work on macro text files without having to exit and restart PCbug11.



---

### 4.2.3 Listing and Clearing Macros

Macros are stored dynamically in the computer memory, so they use only as much memory as they need. Eventually, the computer may run out of memory. This is the case if PCbug11 no longer permits definitions or loading of macros. To make room for new macros, the user must delete some of the present ones from memory. If such macros will be needed again, the user should save them to a disk file, via the SAVEM command.

There are two ways to delete macros. Use the CLRMM command to remove all macros at the same time. Use the DELM command to delete a single macro.

Remember that loading a macro that has the same name as a previous macro automatically replaces the previous macro with the new. This is not the case for macro definitions via the DEFM command, which confirms that the user wants to replace such a previous macro.

## 4.3 USING TRACE AND BREAKPOINTS

Having a program stop upon reaching a certain address is a useful feature for any development system; such an address is a breakpoint. An associated feature is having the program stop as soon as it executes the current command; this is tracing.

### 4.3.1 Breakpoints

The user can arrange for a program to stop at a specified location by placing a breakpoint at the location. Once the program stops, the user can examine registers and memory locations to verify that the program has performed as expected.

Use the BR command to place a breakpoint; use the NOBR command to remove breakpoints. The BR command lets you specify a macro to be run automatically when the program reaches the breakpoint. This feature is helpful if a series of commands is to be executed every time the breakpoint is reached.

To implement breakpoints, PCbug11 substitutes the M68HC11 *software interrupt* (SWI) instruction for the *program* instruction at the breakpoint address. This has two important implications:

1. *The program must be in alterable memory*, such as RAM or EEPROM. It is not possible to install breakpoints in a *program in ROM*. Should a user try to place a breakpoint in ROM, a warning message appears. Before replacing the program instruction (with an SWI instruction), PCbug11 records the program instruction. This lets PCbug11 return the program to its original state when the breakpoint operation is complete.



2. PCbug11 must be able to alter the SWI interrupt vector. Consequently, this vector also must be in alterable memory. The SWI interrupt vector points to an appropriate interrupt-handling routine in the talker. The SWI instruction forces the program being run to enter that specified interrupt-handling routine.

Should either the *program* or the *SWI interrupt vector* not be in alterable memory, the breakpoint *function of PCbug11 cannot be used*.

When the breakpoint function is available, the sequence of events is:

1. The user enters the BR command to set a breakpoint. PCbug11 records the default SWI vector, then replaces that vector with a value that points to a routine in the talker.
2. The user enters the G or CALL command to run the program. PCbug11 records the contents of each breakpoint location, replaces the contents with an SWI instruction, and runs the program.
3. When the program reaches a breakpoint, the talker routine that handles SWI interrupts notifies PCbug11 of the interrupt. PCbug11 then replaces all breakpoint SWI instructions with original memory contents, displays BREAK on the computer screen, and runs any macro defined for the breakpoint reached.
4. If the user stops the program (via the S command) before the program reaches a breakpoint, original memory contents replace all breakpoint SWI instructions.
5. When the user deletes all breakpoints (via the NOBR command), PCbug11 replaces the talker SWI vector with the original SWI vector.

#### NOTES

From this sequence, it is clear that a system reset before step 5 could leave in memory unreplaced SWI instructions and the talker SWI vector. If *the system must be reset during a breakpoint operation*, be sure to reload the program to restore memory contents.

PCbug11 also permits SWI instructions in user code. Whenever program execution arrives at such an instruction, PCbug11 compares the instruction's address to the addresses of all breakpoints set. If there is no match, PCbug11 recalls the user's SWI vector and runs the program at that address. This arrangement entails additional overhead for a user SWI interrupt.



### 4.3.2 Tracing

A user who steps through a program, instruction by instruction, is *tracing* the program. A user could implement tracing by placing breakpoints after all assembly commands, but this would be very time-consuming for the user. PCbug11 implements automatic tracing via its trace (T) command.

The user may notice that tracing takes longer than other PCbug11 operations. This is because tracing is complex: for each step, PCbug11 must find the address of the next opcode. This entails disassembling the opcode at the current address to determine the number of following bytes. The process is complicated for a jump opcode, and even more so for a branch opcode. Usually, in tracing, an SWI replaces the next opcode in the program. For a jump, the destination opcode must be replaced. For a branch, two opcodes must be replaced: the one following the branch instruction and the one at the branch destination.

Once the SWI is placed in memory, PCbug11 runs the program. The second instruction is an SWI, so the program stops. Again, PCbug11 must be able to amend the SWI vector and the program memory. The user may specify a macro to be executed when a program reaches a trace SWI. Such a macro may contain any instructions, but must be named TRACE. Typically, a TRACE macro disassembles the current instruction and reads registers. The TRACE macro can even contain the trace (T) command; in this case, the program steps through all its instructions until stopped by the user or until it arrives at a self loop.

A self loop is a program jump or branch to its current location. Tracing is pointless for a self loop, so the program continues to run, displaying the status TRACING, until the user stops execution or until the branch condition is met or failed.

## 4.4 TALKERS IN EEPROM OR EXTERNAL MEMORY

For many users, the easiest way to make a talker available is to use a *boot* option: the talker program is downloaded every time the user hardware is used. But there are two potential disadvantages to this approach:

1. Any problem in transferring the talker from the computer to the hardware prevents the talker from working.
2. The talker uses MCU internal RAM. As some MCUs have 256 or fewer bytes of RAM, the talker, stack, and interrupt vectors leave little room for user programs or data.

An alternative approach is to install the talker in the internal EEPROM of the MCU or in an external memory. Then, whenever the package is run it is not necessary to download the talker program to the hardware. Furthermore, as the talker does not reside in RAM, more RAM space remains available for user programs and data.



To load a talker into EEPROM, first boot up the MCU normally, then define the EEPROM area. Next, install the talker via the LOADS instruction and verify the installation via the VERF command. Once verified, the talker is ready for use. Per paragraph 4.6, you should terminate PCbug11, then run it again, selecting the correct .MAP file instead of the boot option.

TALKEREE is a special talker that already uses the internal EEPROM. Two files must be available to make TALKEREE available: TALKEREE.S19 and TALKEREE.MAP. The .S19 is the S-record format of the talker to be installed in EEPROM; this must be in the current user directory. The .MAP file is a list of addresses that PCbug11 uses for communication with the board; this file must be in the user's current working directory. (When the boot option is used, PCbug11 automatically handles this information, so no external .MAP file is required.)

For example, this macro programs the talker into the EEPROM of an M68HC11E9 MCU:

```

DEFM AUTOSTART      {Run this macro automatically}
BEGIN
    MS $1035 0      {Clear BPROT register — not
                    needed for A8}
    EEPROM $B600 $B7FF {Enable EEPROM algorithm}
    LOADS TALKEREE  {Load talker into EEPROM}
    VERF TALKEREE   {Verify loading}
    QUIT Y          {Exit PCbug11}
END
    
```

Saving this macro in a file called STARTUP.MCR makes this sequence possible to run the EEPROM talker:

1. Start up PCbug11 by typing: PCBUG11 -E STARTUP
2. Reset board
3. Start up PCbug11 by typing: PCBUG11 TALKEREE



---

## NOTES

If any error messages appear when you run the macro, press the capital **S** key to stop the macro, and correct the errors.

Using the macro and startup sequence above leaves most of the RAM free for user programs. The default stack for TALKEREE is at \$3F, so avoid using RAM between \$00 and \$3F. To move the stack, modify the source file TALKEREE.ASC by changing the value of the symbol STACK.

The interrupt vector jumps are in the \$C4 — \$FD area of RAM. The jumps are initialized with safe values for PCbug11. The JMP instructions may be modified by the user, but the user should not modify the XIRQ interrupts that PCbug11 uses. User code should not be in the \$C4 — \$FD area. It may be a good idea to set up the necessary interrupt vectors, then run the PROTECT command, per Chapter 3.

If the board in use includes external memory, you can use the RTS communications port line to provide a limited write-protection facility. The RTS line carries a standard RS-232 signal that must be converted to a TTL logic level for use with the MCU. If the signal is directly controllable (see the CONTROL command explanation in Chapter 3), you can combine the signal logically with the MCU R/W signal to protect memory. When PCbug11 accesses memory, it forces the RTS line high, permitting the write to memory. But when the program itself tries to access memory, the RTS line remains low, preventing such access.

## 4.5 PROGRAMMING EPROM (711) PARTS

It is possible to use PCbug11 to program M68HC711 EPROM parts. To do so, follow these steps:

1. Configure the hardware this way:
  - a. Do not connect XIRQ to PD0/SCI Rx
  - b. Put the part in bootstrap mode and pull IRQ to Vdd
  - c. Connect Vdd to the chip
  - d. Connect Vpp to the XIRQ pin via a 100W resistor





## NOTE

Do not connect any Vpp voltage unless Vdd is connected. Doing so will destroy the chip.

2. Attach Vdd to your board. Start up PCbug11 by entering:  
PCBUG11 -E/D/K (For 1E9/711D3/711K4)
3. Make sure the board is working correctly and that Vdd is applied. Then apply Vpp to the board's Vpp terminal.
4. Type these commands:  
EPROM \$D000 \$FFFF (Defines the EPROM memory range)  
LOADS <filename> (Loads the S-record file for programming)  
VERF <filename> (Verifies successful programming)
5. This completes programming. Remove Vpp first, then remove Vdd.

## 4.6 DESIGNING NEW TALKERS

Sometimes it is desirable to redesign a talker for a particular user application. Another possibility is that a new M68HC11 MCU may have slightly different behavior in the bootstrap mode. In such a circumstance, the bootstrap talker must be rewritten. In most cases, Motorola will do this; if not, the user must change the talker. To do so, modify the source file for the most appropriate TALKXX.ASC file in TALKSRC or TALKSRCX. To create the new binary download file, use the ASMHC11 assembler with the ;B option. A typical command line is:

```
ASMHC11 TALKXX ;B
```

This searches for the TALKXX.ASC file and creates a download file with the extension **.BOO**. If the file actually uses the XIRQ interrupt, rename the file, giving it the extension **.XOO**.

ROMed talkers are more likely to need user customization. Such a case requires work on two files:

1. The user must supply or modify the talker file itself, then load the file into external memory.
2. The user must create and load a mapfile. This mapfile must contain the addresses of several key talker-program routines.

Use the TALKEREE.MAP and TALKEREE.ASC files as templates for creating new ROMed talkers. These files illustrate the format conventions.



Note that names of constants in the TALKEREE.MAP file may be no longer than 14 characters; values of constants may not start until column 16.

The contents of the TALKEREE.MAP file are:

talker_start	\$B600	Talker code start address
talker_idle	\$B632	Talker code idle loop address
user_start	\$B620	User reset entry into talker code
xirq_ujmp	\$00F2	Talker code address of user XIRQ server address
relocate_buf	\$00A0	Breakpoint relocation address for user code
xirq_srv	\$B635	Talker XIRQ service address
swi_srv	\$B6B4	Talker SWI service address for breakpoints
swi_idle	\$B6B8	Talker SWI idle loop
null_srv	\$B678	Talker RTI
xirq_jump	\$00F2	XIRQ vector
swi_jump	\$00F3	SWI vector
cme_jump	\$00Fe	COP clock monitor vector



## APPENDIX A

### HARDWARE SUPPORT

#### A.1 INTRODUCTION

This appendix describes the hardware support that PCbug11 software requires. Note that the XIRQ pin should be attached to the PD0/Rx pin on the processor, except when programming EPROM. This lets the talker software use the highest-level interrupt available for communications.

The hardware places the part in bootstrap mode. The SCI communications port is translated to RS-232 voltage levels, via an MC145407 chip. (A user who has an alternative method of translating voltage levels could replace the MC145407 chip.)

#### A.2 CIRCUIT DIAGRAM AND COMPONENTS LIST

Figure A-1, on the next page, is the circuit diagram of hardware support components. Table A-1, on the following page, lists these components.

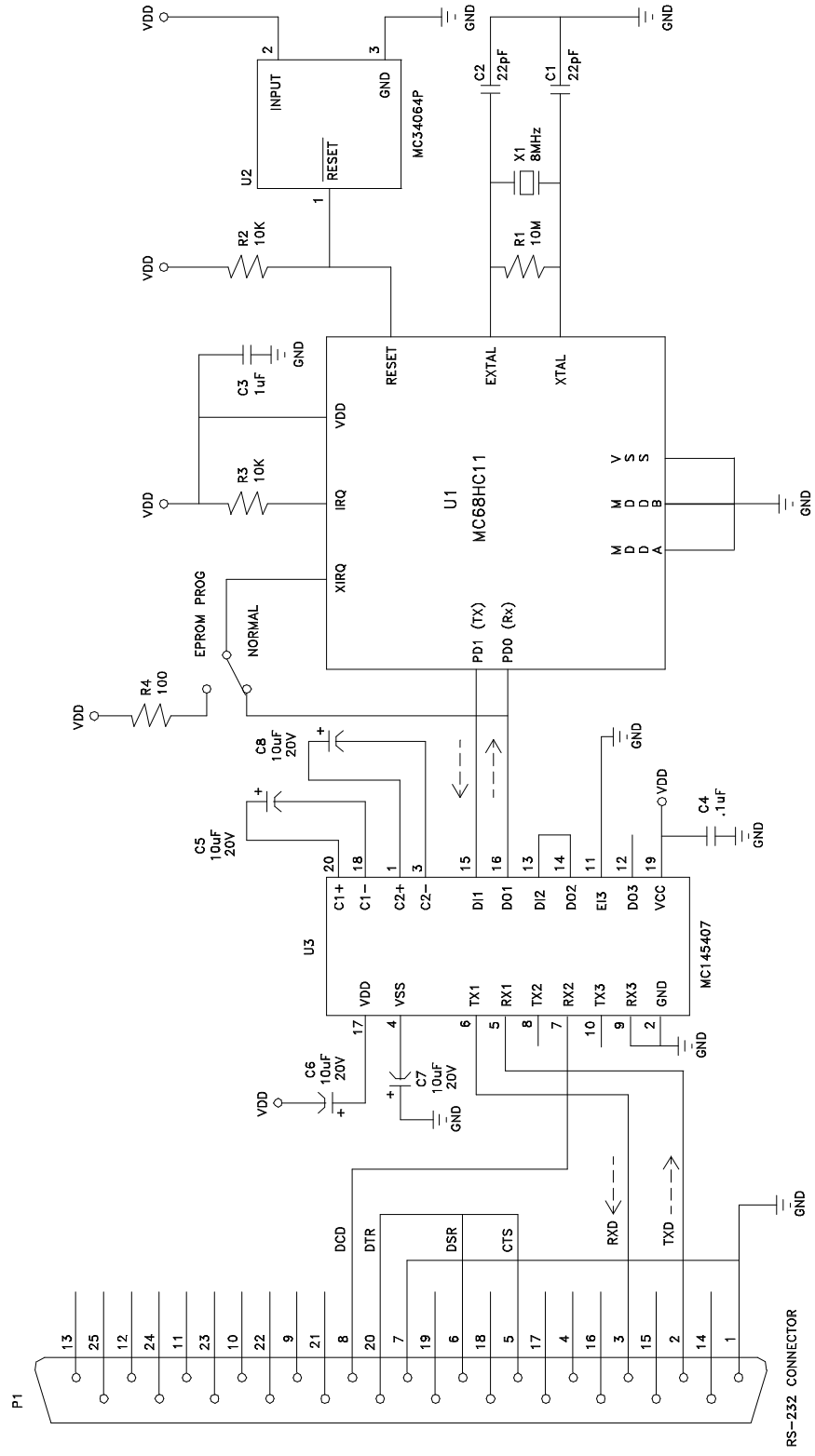


Figure A-1. Support Hardware Components Schematic



**Table A-1. Hardware Support Components**

<b>Designator</b>	<b>Description</b>
C1, C2	Capacitor, 22 pF
C3	Capacitor, 1 $\mu$ F
C4	Capacitor, 0.1 $\mu$ F
C5—C8	Capacitor, 10 $\mu$ F, 25 V aluminum or tantalum (see manufacturer's data for more information)
IC1	I.C., MC68HC11
IC2	I.C., MC145407 or other RS-232 level translation device
R1	Resistor, 10 M $\Omega$
R2	Resistor, 4.7 K $\Omega$
R3	Resistor, 10 K $\Omega$
R4	Resistor, 100 $\Omega$
X1	Crystal, 8 MHz





## APPENDIX B

### PCBUG11 ERROR MESSAGES

#### B.1 INTRODUCTION

There are four levels of error reporting within PCbug11:

- Error messages that report a failed operation
- Error messages that indicate failed communication
- Error messages that report an invalid command string
- Error messages that report failed verification

Paragraphs B.2 through B.5, respectively, explain these categories of error messages.

See Chapter 3 for explanations of the additional error messages pertaining to the ASM command.

#### B.2 FAILED OPERATION ERRORS

Messages about failed operations appear in a temporary window, superimposed over the main window. On color screens, this window has red text on a black background. A failed operation message disappears after a few seconds; if the user presses any key, the message disappears immediately.

Messages of this level indicate that the command entered was not successful because:

1. System capabilities were exceeded,
2. Resources needed to carry out the command were not available, or
3. The user tried to go beyond certain program limits.



Examples of such errors include:

- Trying to load a non-existent file.
- Trying to set an area of memory where there is not memory resource.
- Trying to exceed the maximum number of breakpoints.

When possible, the error message indicates specifically why the operation failed.

As the operation in progress may be a subset of the command entered, the precise meaning of a failed operation message may not be straightforward. Accordingly, a supplementary message may appear just below the register window. (On a color screen, a supplementary message is in yellow.) A supplementary message has the form

*Last error: <command> failed*

where <command> is the command the user entered.

If a failed operation error message persists, make sure that:

- A 5-volt signal is supplied correctly to the printed circuit board
- An 8 MHz crystal is installed in the circuit
- The communications cable is wired correctly
- The MCU is in bootstrap mode and is reset
- The cable is connected to the COM1 port of the computer (or the guidance of paragraph 2.2 is followed if the cable is connected to the COM2 port).

Table B-1 lists the failed operation error messages.




**Table B-1. Failed Operation Error Messages**

Message	Explanation
<b>Breakpoint &lt;address&gt; already exists</b>	A breakpoint already is enabled at the specified address; PCbug11 ignores the attempt to install a new breakpoint. (A probable cause is trying to add a macro command to a breakpoint definition. To do so, delete the breakpoint, then include the macro command in a redefinition of the breakpoint.)
<b>Breakpoint table is full</b>	The attempted breakpoint definition would exceed the maximum number of breakpoints. To add a new breakpoint, first delete an existing one.
<b>Can't find .MAP file</b>	PCbug11 cannot find the map file associated with the file specified in the command line. The map file must be in the user's current working directory.
<b>Can't load &lt;interrupt&gt; vector</b>	The LOADS command failed because PCbug11 could not capture the specified interrupt vector (RESET, SWI, or XIRQ). This may be due to a problem in the S-record. For normal operation, PCbug11 may need access to these vectors.
<b>Error in register value</b>	The RM command failed due to entry of a value in the wrong base.
<b>Memory set error</b>	PCbug11 could not set the requested memory location, possibly because the memory is not working properly. Another possible cause is memory not enabled as EEPROM, when that is required. (A supplementary message indicates the user command that failed.)
<b>Registers unchanged</b>	The user pressed the ESC key after running the RM command. To change registers by this method, press the RETURN key, not the ESC key.
<b>Too many nested macros</b>	The user ran a macro that called other macros, resulting in macro nesting six or more levels deep. Only nest macros as deep as five levels.
<b>Warning mixed memory range - command aborted</b>	The user tried to program a range that consists of two types of memory (e.g., EEPROM and RAM). Program each type of memory separately.



---

### B.3 COMMUNICATIONS ERRORS AND OTHER FATAL ERRORS

Messages about communications errors appear in a temporary window, superimposed over the main window. On color screens, this window has red text on a black background. Such a message disappears after a few seconds; if the user presses any key, the message disappears immediately.

Messages of this level indicate that the command entered was not successful because communication between the computer and the MCU failed.

As the operation in progress may be a subset of the command entered, the precise meaning of a communications error message may not be straightforward. Accordingly, a supplementary message may appear in the register window. (On a color screen, a supplementary message is in yellow.) A supplementary message has the form

*Last error: <command> failed*

where <command> is the command the user entered.

If a communications error message persists, make sure that:

- A 5-volt signal is supplied correctly to the printed circuit board
- An 8 MHz crystal is installed in the circuit
- The communications cable is wired correctly
- The MCU is in bootstrap mode and is reset
- The cable is connected to the COM1 port of the computer (or the guidance of paragraph 2.5 is followed if the cable is connected to the COM2 port).

Table B-2 lists the communications error messages.



**Table B-2. Communications Error Messages**

Message	Explanation
<b>Communications fault</b>	PCbug11 is not able to establish communication with the MCU. This message usually appears after a <CTRL>R command.
<b>Communications Synchronised</b>	PCbug11 is communicating normally with the MCU. This message usually appears after a <CTRL>R command.
<b>Comms fault : Memory write at &lt;address&gt; terminated</b>	A write to <address> has not been completed; communications with the MCU have been lost. This message may appear if the baud rate is inappropriate, or if the memory write in some other way caused the MCU to abort normal operation.
<b>Comms fault : &lt;operation&gt; terminated</b>	Communications failed during the specified operation. Operation6 include programming, block write, memory write, memory read, BREAK processing, memory swap, register read and register write. If 't/out' is specified then the MCU failed to communicate within the timeout period. In this case the user may be able to rectify the problem by increasing the value of the CONTROL timeout parameter - especially where memory swap is indicated. In all cases, this message indicates that communications with the MCU are not working, and that PCbug11 could not recover from the failure.
<b>Comms fault : &lt;operation&gt; failed : please retry</b>	PCbug11 lost communications with the MCU during the specified operation, but re-established communications. Operations include programming, block write, memory write, memory read, BREAK processing, memory swap, register read and register write. If 't/out' is specified then the MCU failed to communicate within the timeout period. In this case the user may be able to rectify the problem by increasing the value of the CONTROL timeout parameter - especially where memory swap is indicated.
<b>Memory read failed : please retry</b>	PCbug11 lost communications with the MCU during a memory read, but re-established communications. (This message could appear if the user presses the ESC key during a memory read.)
<b>Memory write at &lt;address&gt; failed : please retry</b>	PCbug11 could not complete the memory write at the specified address, but remains in communication with the MCU.



## B.4 COMMAND ERRORS

A command error message appears on the same line as a command, indicating that PCbug11 cannot process the command as typed. Table B-3 lists these messages.

**Table B-3. Command Error Messages**

message	explanation
<b>Command Error</b>	The typed command is neither a PCbug11 command nor a currently defined macro.
<b>Operand Error</b>	The typed operand is incorrect for the typed command. See Chapter 3 for the correct operands.
<b>Range Error</b>	The typed address range exceeds the maximum range for the command.

## B.5 VERIFICATION ERRORS

A verification error message appears in the main window. Such a message pertains to memory commands, such as BF or VRF. The message indicates a discrepancy between what PCbug11 expected to find in memory and what it actually found. The message includes the addresses of memory locations that contain such unexpected values.





**APPENDIX C**

**PCBUG11 DISK CONTENTS**

Motorola supplies PCbug11 on a 360 Kbyte transmittal disk. Table C-1 lists the files and directories on this disk.

Note that you may customize or replace the PCBUGRTN.EXE program. The program supplied as part of PCbug11, written in PASCAL, is:

```
PROGRAM PCBUGRTN (INPUT, OUTPUT);

BEGIN

    WRITE('Press any key to return to PCBUG11')

END.
```

**Table C-1. PCbug11 Files and Directories**

<b>Name</b>	<b>Description</b>
PCBUG11.EXE <sup>(1)</sup>	PCbug11 program
PCBUGRTN.EXE <sup>(1)</sup>	User-definable return program
CODES.P11 <sup>(1)</sup>	Mnemonic tables for assembly/dissassembly
OFFSETS.P11 <sup>(1)</sup>	Mnemonic tables for assembly/dissassembly
ASMHC11.EXE	Absolute assembler program
TALK??.BOO <sup>(1)</sup>	Talkers using SCI interrupt
TALK??.XOO <sup>(1)</sup>	Talkers using XIRQ interrupt
PCbug11.HLP	All PCbug11 help information; must be in same directory as PCBUG11.EXE.
TALKSRC	Directory of source files and S-records of all talkers that can be loaded into EEPROM or EPROM and use the SCI interrupt.
TALKSRCX	Directory of source files and S-records of all talkers that can be loaded into EEPROM or EPROM and use the XIRQ interrupt.
1. These files should be in the same directory during use.	

