

HRPNUG

Harpoon User's Guide

Rev. 3.0 — 29 March 2024

User guide

Document information

Information	Content
Keywords	i.MX 8M, i.MX 93, HiFiBerry, MX93AUD-HAT, Arm Cortex-A53/A55 processor (Armv8-A architecture), RTOS, Linux, hardware partitioning, Jailhouse hypervisor, NXP Linux Yocto, Zephyr RTOS, FreeRTOS, MCUXpresso SDK
Abstract	This document presents the Harpoon release 3.0 for i.MX 8M and i.MX 93 device family, using the Arm Cortex-A53/A55 processor (Armv8-A architecture).



1 Overview

This document presents the Harpoon release 3.0 for i.MX 8M device family and i.MX 93, using the Arm Cortex-A53/A55 processor (Armv8-A architecture).

Harpoon provides an environment for developing real-time demanding applications on an RTOS running on one (or several) Cortex-A core(s) in parallel of a Linux distribution, leveraging the 64-bit Arm architecture for higher performance.

The system starts on Linux and the Jailhouse hypervisor partitions the hardware to run both Linux and the guest RTOS in parallel.

The hardware partitioning is configurable and depends on the use case. This release includes an audio application, an industrial application and a real-time latency measurement application, all available both for FreeRTOS as well as Zephyr (some application feature limitations exist depending on the selected platform and RTOS).

This release supports the following software and hardware:

- NXP Linux Yocto
 - i.MX LF 6.1.55-2.2.0: For more information, see the [i.MX Yocto Project User's Guide](#).
 - Real-time Edge SW v2.8: For more information, see the [Real-time Edge Yocto Project v2.8 User Guide](#).
- i.MX 8M Series
 - [i.MX 8M Mini LPDDR4 EVKB](#)
 - [i.MX 8M Nano LPDDR4 EVK](#)
 - [i.MX 8M Plus LPDDR4 EVK](#)
- i.MX 9 Series
 - [i.MX 93 EVK](#)
- Jailhouse hypervisor
- FreeRTOS V10.5.0 kernel
 - AARCH64 port, uniprocessor
 - Guest OS running on Jailhouse cell
- Zephyr RTOS 3.5.0
 - Cortex-A53 and Cortex-A55 port, SMP
 - Guest OS running on the Jailhouse cell
- MCUXpresso SDK 2.14.0
 - GIC, Timer and MMU AARCH64 drivers
 - FlexCAN, ENET, ENET_QOS, GPT, TPM, I2C, LPI2C, SAI, LPUART, and UART SoC drivers
 - Audio Codec drivers
 - PHY drivers
- RTOS applications
 - Audio reference application
 - Industrial reference application
 - Real-time latency measurement application
 - Virtio Networking reference application
 - Hello World application

1.1 Supported Features

Table 1. Harpoon 3.0 supported features

		i.MX 8M Mini		i.MX 8M Nano ^[1]		i.MX 8M Plus		i.MX 93	
		FreeRTOS	Zephyr	FreeRTOS	Zephyr	FreeRTOS	Zephyr	FreeRTOS	Zephyr
Peripherals	GICv3	•	•	•	•	•	•	•	•
	MMU	•	•	•	•	•	•	•	•
	UART	•	•	•	•	•	•		
	LPUART							•	•
	GPT	•	•	•	•	•	•		
	TPM							•	•
	I ² C	•	•	•	•	•	•		
	LPI ² C							•	•
	SAI	•	•	•	•	•	•	•	•
	ENET	•	•	•	•	•	•	•	•
	ENET_QOS					•	•	•	•
	FlexCAN					•	•	•	•
	Audio Codec(s)	•	•	•	•	•	•	•	•
	Ethernet PHY(s)	•	•	•	•	•	•	•	•
Audio Expansion Boards	HiFiBerry	•	•	•	•	•	•		
	MX93 AUD-HAT							•	•
MiddleWare	GenAVB/ TSN	•	•	•	•	•	•	•	•
	RPMsg-Lite	•	•	•	•	•	•	•	•
Audio Application	SAI pipeline(s)	•	•	•	•	•	•	•	•
	AVB pipeline	•	•	•	•	•	•	•	•
	AVB pipeline (with MCR)					•	•		
	SMP pipeline		•		•		•		
	AVB + SMP pipeline		•		•		•		
	AVB + SMP pipeline (with MCR)						•		
Industrial Application	CAN					•	•	•	•
	Ethernet	•	•	•	•	•	•	•	•
	TSN	• ^[2]	• ^[2]	• ^[2]	• ^[2]	•	•	•	•

Table 1. Harpoon 3.0 supported features...continued

	i.MX 8M Mini		i.MX 8M Nano ^[1]		i.MX 8M Plus		i.MX 93	
	FreeRTOS	Zephyr	FreeRTOS	Zephyr	FreeRTOS	Zephyr	FreeRTOS	Zephyr
Real-time Latency Application	•	•	•	•	•	•	•	•
Virtio Networking Application^[3]	•				•		•	
Hello World Application	•	•	•	•	•	•	•	•

- [1] i.MX Linux Yocto based image only
- [2] Using ENET interface without 802.1Qbv support
- [3] Real-time Edge based image only

1.2 Architecture

The following figure shows the architecture of the Harpoon solution.

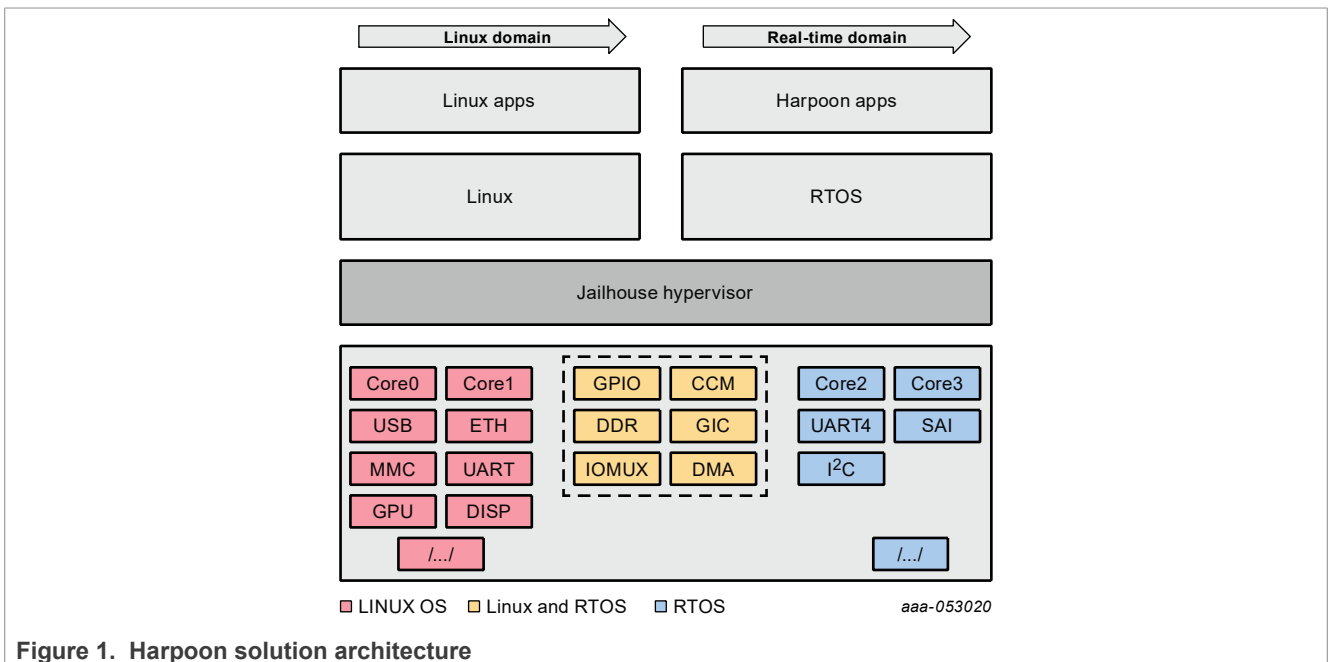


Figure 1. Harpoon solution architecture

The bottom box shows the hardware partitioning between Jailhouse cells.

The boxes in light red (group 1) show the main hardware blocks allocated to the Linux OS.

The boxes in blue (group 3) show the main hardware blocks allocated to the RTOS.

The boxes in light orange (group 2) show the main hardware blocks shared between Linux and the RTOS.

Harpoon-apps is the real-time application running on Jailhouse's inmate cell. It is built on top of Zephyr or FreeRTOS, using MCUXpresso drivers.

1.3 Hardware resource partitioning

Jailhouse hypervisor is used to run an RTOS in parallel with Linux: FreeRTOS and Zephyr are supported in this release.

Jailhouse is a simple hypervisor that assigns hardware resources to a guest OS instead of virtualising them. For instance, a CPU core is statically assigned to a specific guest and is not shared with other guests.

In Jailhouse terms, the RTOS (inmate) runs in a cell. A configuration file describes which hardware resources are assigned to this cell. This configuration file contains descriptions of the following:

- CPU cores assigned to the cell
- Interrupt lines assigned to the cell
- Memory regions assigned to the cell
- Virtual PCI devices used for communication between cells

There is also a root cell configuration that describes the hardware prior to the hardware partitioning.

The source files of the cell configurations are embedded through patches in the Jailhouse recipe of the Harpoon meta-layer, at the following locations:

- `configs/arm64/imx{8m*, 93}-harpoon-freertos.c` for the cell configuration of the FreeRTOS **hello_world and rt_latency use case**
- `configs/arm64/imx{8m*, 93}-harpoon-zephyr.c` for the cell configuration of the Zephyr **hello_world and rt_latency use case**
- `configs/arm64/imx{8m*, 93}-harpoon-freertos-audio.c` for the cell configuration of the **FreeRTOS audio use case**
- `configs/arm64/imx{8m*, 93}-harpoon-zephyr-audio.c` for the cell configuration of the Zephyr **audio use case**
- `configs/arm64/imx{8m*, 93}-harpoon-freertos-avb.c` for the cell configuration of the FreeRTOS **audio (AVB) use case**
- `configs/arm64/imx{8m*, 93}-harpoon-zephyr-avb.c` for the cell configuration of the Zephyr **audio (AVB) use case**
- `configs/arm64/imx{8m*, 93}-harpoon-freertos-industrial.c` for the cell configuration of the **FreeRTOS industrial use case**
- `configs/arm64/imx{8m*, 93}-harpoon-zephyr-industrial.c` for the cell configuration of the **Zephyr industrial use case**
- `configs/arm64/imx{8m*, 93}-harpoon-freertos-virtio.c` for the cell configuration of the **FreeRTOS Virtio Networking use case**
- `configs/arm64/imx8m*.c` and `configs/arm64/imx93.c` for the root cell configuration

The CPU core allocated to the RTOS forms a bitmap in the `cpu` structure:

- For i.MX 8M, CPU core 3 is assigned to the cell:

```
.cpus = {
    0b1000,
},
```

- For i.MX 93, CPU core 1 is assigned to the cell:

```
.cpus = {
    0b10,
},
```

- For a multicore (SMP) cell, two cores can be used. For instance, on i.MX 8M:

```
.cpus = {
    0b1100,
```

```
},
```

Memory regions assigned to the inmate cell are listed in the `mem_regions` structure. Memory regions can be reserved for the inmate cell or shared with the Linux root cell.

Memory regions can be DDR chunks for the inmate cell use as well as device memory mapped regions such as UART or SAI.

Interrupts are mapped to the cell with the `irqchips` structure.

Virtual PCI devices are defined with the `pci_devices` structure. These virtual devices are used by Jailhouse to implement IVSHMEM v2 communication channels.

2 Building Harpoon Yocto images

As mentioned in the overview section, Harpoon is compatible with both i.MX Yocto and Real-Time Edge Yocto. Each distribution is addressed in a separate section below.

2.1 i.MX Yocto

To build this release, fetch its Yocto manifest and get the meta-layers:

```
$ mkdir yocto
$ cd yocto
$ repo init -u https://github.com/nxp-imx/imx-manifest -b imx-linux-mickledore -
m imx-6.1.55-2.2.0_harpoon-v3.xml
$ repo sync
```

Then, prepare the environment with the following command:

```
$ DISTRO=fsl-imx-xwayland MACHINE=<machine> source imx-harpoon-setup-release.sh
-b build.<machine>
```

Where, `<machine>` is one of the following:

- `imx8mm-lpddr4-evk` for i.MX 8M Mini EVKB board
- `imx8mn-lpddr4-evk` for i.MX 8M Nano EVKB board
- `imx8mp-lpddr4-evk` for i.MX 8M Plus EVK board
- `imx93evk` for i.MX 93 EVK board

The end user license agreement must be accepted to continue.

Then build the image with the following command:

```
$ bitbake imx-image-core
```

The image is then available in the subdirectory `tmp/deploy/images/<machine>/`.

Copy the disk image to a micro-SD card. For example, assuming the card is recognized as `/dev/mmcblk0` by your host machine:

```
$ zstdcat imx-image-core-<machine>.wic.zst | sudo dd of=/dev/mmcblk0 bs=1M
```

The micro-SD card now contains the release.

2.2 Real-Time Edge Yocto

See the [Real-time Edge Yocto Project User Guide](#) to build Harpoon and prepare an SD card for supported boards.

3 Hardware Setup

3.1 i.MX Reference Boards

This Harpoon release supports the following development boards.

3.1.1 i.MX 8M Mini EVK



Figure 2. i.MX 8M Mini EVK

Note: For more information to order the board, see <https://www.nxp.com/design/development-boards/i-mx-evaluation-and-development-boards/evaluation-kit-for-the-i-mx-8m-mini-applications-processor:8MMINILPD4-EVK>

3.1.2 i.MX 8M Nano EVK



Figure 3. i.MX 8M Nano EVK

Note: For more information to order the board, see <https://www.nxp.com/design/development-boards/i-mx-evaluation-and-development-boards/evaluation-kit-for-the-i-mx-8m-nano-applications-processor:8MNANOD4-EVK>.

3.1.3 i.MX 8M Plus EVK



Figure 4. i.MX 8M Plus EVK

Note: For more information to order the board, see <https://www.nxp.com/design/development-boards/i-mx-evaluation-and-development-boards/i-mx-8m-plus-evaluation-kit-enabling-power-measurement:8MPLUSLPD4-PEVK>.

3.1.4 i.MX 93 EVK



Figure 5. i.MX 93 Plus EVK

Note: For more information to order the board, see <https://www.nxp.com/design/development-boards/i-mx-evaluation-and-development-boards/i-mx-93-evaluation-kit:i.MX93EVK>.

3.2 Audio use case hardware

Harpoon audio application uses SAI as the digital audio interface to connect with different audio codecs for playback and capture. It uses the On-Board Audio Codecs and can use audio expansion boards as well.

The following table lists the different supported codecs and audio expansion boards supported by the application.

Table 2. Harpoon audio application hardware

Board ID	EVK audio hardware	Audio expansion hardware
i.MX 8M Nano EVK	On-Board Codec WM8524 - SAI 3	HiFiBerry - ADC PCM1863 and DAC PCM5122 - SAI 5
i.MX 8M Mini EVK	On-Board Codec WM8524 - SAI 3	HiFiBerry - ADC PCM1863 and DAC PCM5122 - SAI 5
i.MX 8M Plus EVK	On-Board Codec WM8960 - SAI 3	HiFiBerry - ADC PCM1863 and DAC PCM5122 - SAI 5
i.MX 93 EVK	On-Board Codec WM8962 - SAI 3	MX93AUD-HAT - On-Board Codec CS42448 - SAI 3

3.2.1 HiFiBerry setup

For the Audio application use, the i.MX 8M family is complemented by an I2S HiFiBerry audio card *DAC+ ADC Pro*.



Figure 6. HiFiBerry DAC+ ADC Pro (picture from HiFiBerry's website)

Note: [HifiBerry related information link](#)

The HiFiBerry DAC+ ADC Pro is an audio card designed for the Raspberry Pi, but it can be connected to EVK boards using the 40-pin connector, provided a few adaptations are made.

The following pins on the EVK's 40-pin connector must be connected to the following HiFiBerry's pins.

Table 3. EVK - HiFiBerry transposition

EVK	HiFiBerry	Function
2	2	5V
3	3	I2C SDA
5	5	I2C SCK
6	6	GND
35	40	I2S TX
36	12	I2S clock
37	35	I2S word select for RX and TX

Table 3. EVK - HiFiBerry transposition...continued

EVK	HiFiBerry	Function
38	38	I2S RX

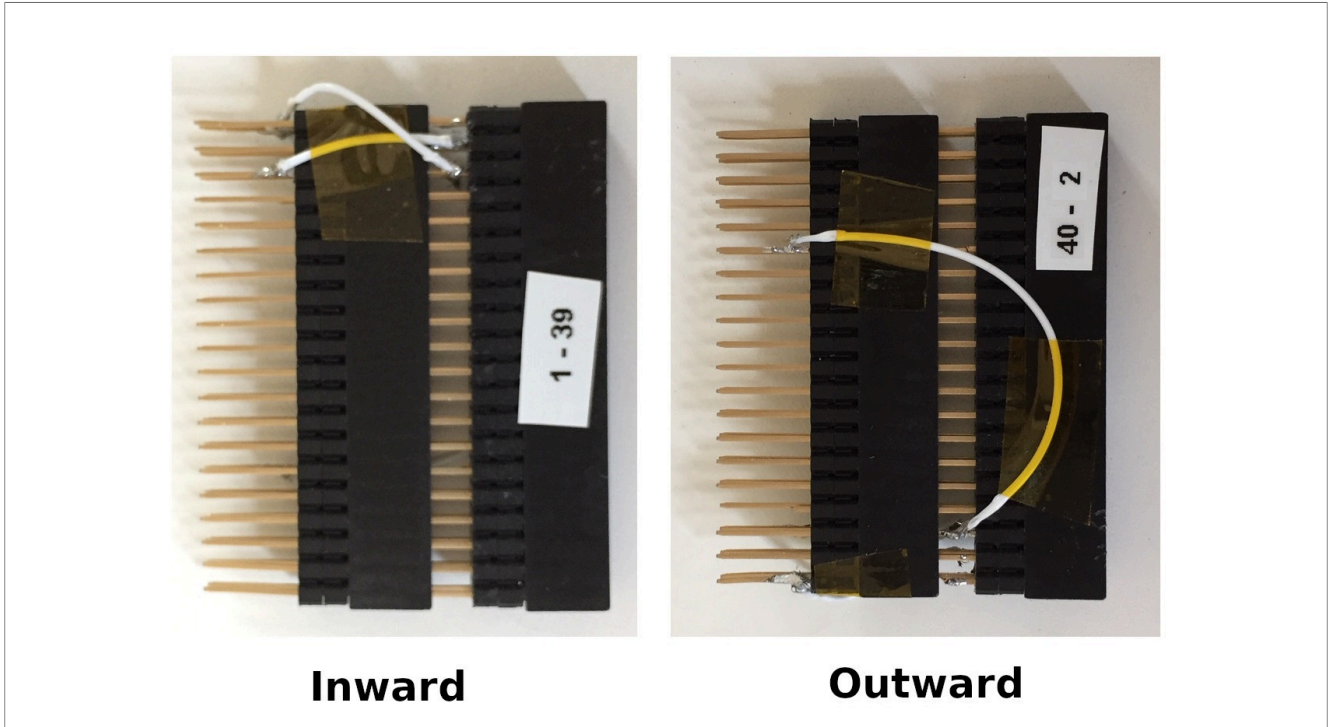


Figure 7. Handmade transposer

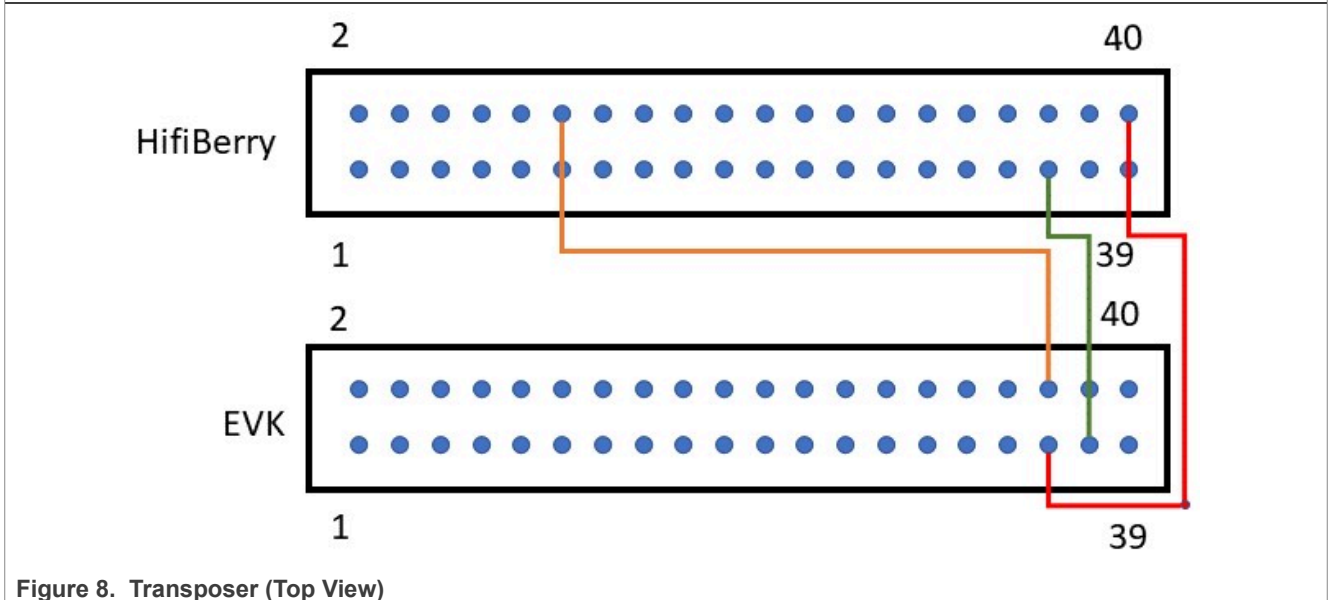


Figure 8. Transposer (Top View)

A complete setup, with a handmade transposer to respect above pinout, is shown as follows.

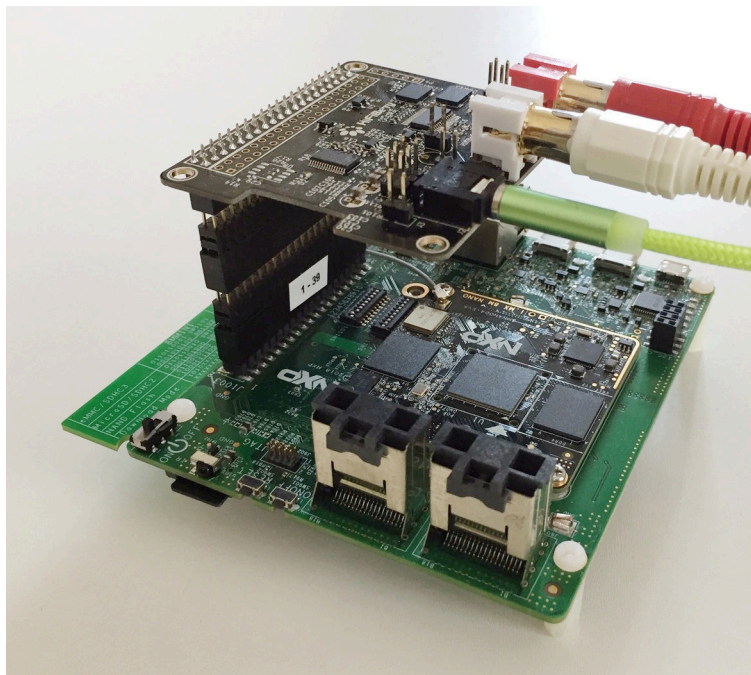


Figure 9. i.MX 8M Mini EVK with HiFiBerry audio card

The audio card has both an ADC (PCM1863) to record audio and a DAC (PCM5122) for audio playback.

Record is done through the audio jack (connector highlighted in 1 in the following figure) and playback is done through the RCA connectors (highlighted in 2).

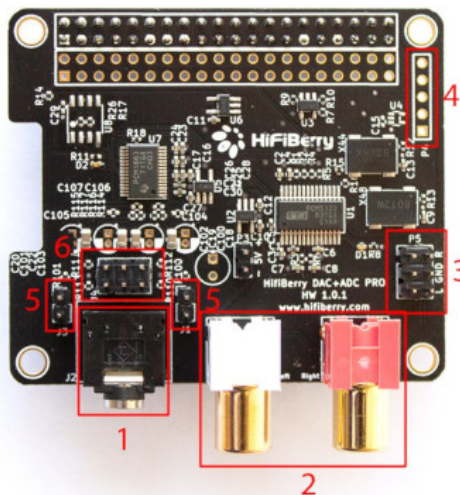


Figure 10. HiFiBerry audio connectors (picture from HiFiBerry's website)

Note: [HiFiBerry purchase link](#).

Control of the PCM1863 is done through I2C3, at address 0x4a.

Control of the PCM5122 is done through I2C3, at address 0x4d.

Both the PCM1863 and PCM5122 use i.MX I2S5. The I2S5 is the I2S clock master. Two oscillators (one for sampling frequencies multiple of 44,100 Hz, one for sampling frequencies multiple of 48,000 Hz) are present on the HiFiBerry card, and controlled by PCM5122 GPIOs.

The following diagram shows the HiFiBerry architecture.

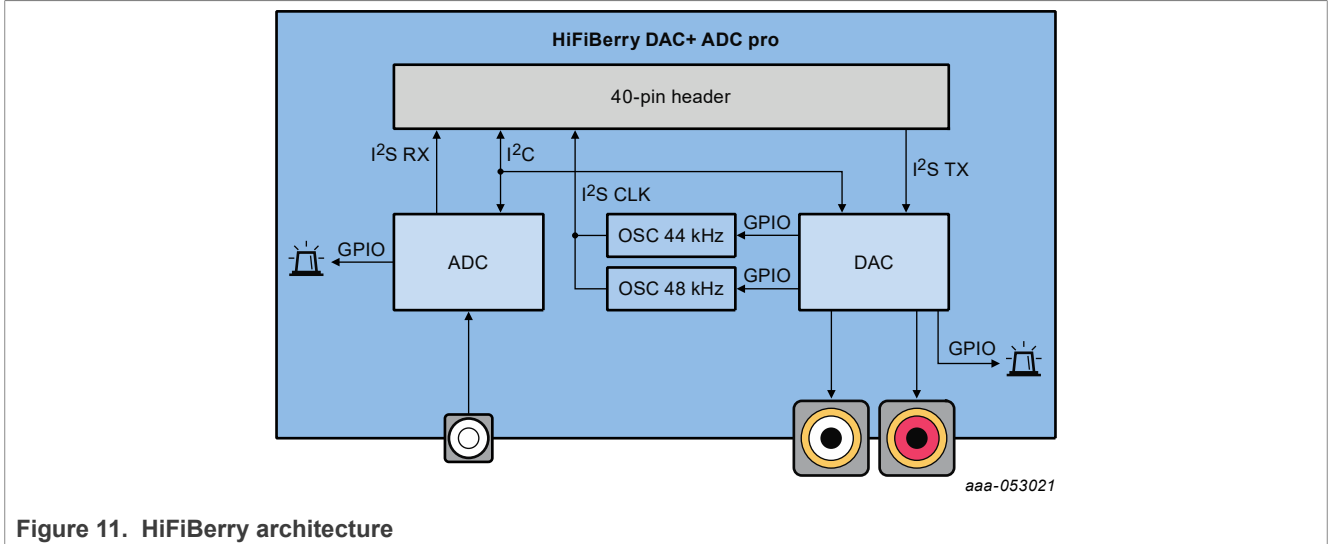


Figure 11. HiFiBerry architecture

The PCM1863 and the PCM5122 use the same signal for I2S word select by using SAI synchronous mode.

3.2.2 MX93AUD-HAT Setup

For the Audio application use case, the i.MX 93 EVK is complemented by an audio expansion board MX93AUD-HAT.



Figure 12. MX93AUD-HAT side image

Note: [MX93AUD-HAT related information link](#)

Jumpers configuration:

Use the following settings to configure the MX93AUD-HAT jumpers.

Table 4. Jumpers configuration

Jumper ID	Name	Settings
J1	5 V power control	Shorted: Connect 5 V power supply from the motherboard to the MX93AUD-HAT board (Default Setting)
J2	3V3 LDO power control	Shorted: Connect 3.3 V LDO U1 input path (Default Setting)
J4	3.3 V path selection	2-3 shorted: 3.3 V source from on board LDO (Default Setting)
J15	S/PDIF transmit	2-3 shorted: RCA port is used for S/PDIF transmit (Default Setting)
J18	S/PDIF receiver	2-3: RCA port is used as S/PDIF receiver (Default Setting)

The following table lists the MX93AUD-HAT sound input/output connectors.

Table 5. Jack connectors

Connector ID	Connector description	Audio application use
J10	CH Line Out, 2- CH per Jack	Used as output line for all audio use cases
J8	CH Line In, 2- CH per Jack	Used as input line for Loopback, Full Pipeline and AVB use cases

3.3 Industrial use case hardware

Harpoon's industrial application may use the following hardware depending on the use case.



Figure 13. LS1028A AVB/TSN network bridge

Note: For more information to order the board, see <https://www.nxp.com/design/qoriq-developer-resources/layerscape-ls1028a-reference-design-board:LS1028ARDB>.

The LS1028A RDB is used as a TSN bridge/switch in a TSN network to demonstrate the TSN Ethernet use case running from the inmate cell.



Figure 14. RT1170 TSN endpoint

Note: For more information to order the board, see <https://www.nxp.com/design/development-boards/i-mx-evaluation-and-development-boards/i-mx-rt1170-evaluation-kit:MIMXRT1170-EVK>.

The RT1170 is used as a TSN endpoint in a TSN network, exchanging packets with the i.MX 8M Plus EVK board.

3.4 Virtio networking use case hardware

User needs to connect **ENET port** on i.MX 8M Mini EVK / i.MX 8M Plus EVK / i.MX 93 EVK to another board/ PC or network switch/router to make sure the networking link is up before running Harpoon Virtio networking use case.

4 Running Harpoon Reference Applications

4.1 Basic setup

The EVK boards expose serial ports through their USB debug interface. One of these serial ports is used by Linux for its console, and another one is used by the guest RTOS.

To run the reference applications, open both serial ports with terminal emulators, insert the micro-SD card on which the Yocto image has been flashed in the EVK and power up the board.

4.2 Starting Linux kernel

Linux kernel must be started with a (Harpoon specific) Jailhouse compatible device tree.

To do this, when U-Boot is executing, stop at U-Boot prompt with a terminal emulator connected to the serial port and execute the following command (based on the board and the application):

- For i.MX 8M Mini (hello_world, audio, or rt_latency):

```
u-boot => setenv jh_root_dtb imx8mm-evk-harpoon.dtb
u-boot => run jh_mmcboot
```

- For i.MX 8M Mini (hello_world or audio AVB):

```
u-boot => setenv jh_root_dtb imx8mm-evk-harpoon-avb.dtb
u-boot => run jh_mmcboot
```

- For i.MX 8M Mini (hello_world, industrial or rt_latency):

```
u-boot => setenv jh_root_dtb imx8mm-evk-harpoon-industrial.dtb
u-boot => run jh_mmcboot
```

- For i.MX 8M Mini (hello_world or virtio networking):

```
u-boot => setenv jh_root_dtb imx8mm-evk-harpoon-virtio-net.dtb
# Clear VirtIO magic value in memory in case of warm reboot to avoid MMIO probe
error.
u-boot => mw b8400000 0 1
u-boot => run jh_mmcboot
```

- For i.MX 8M Nano (hello_world, audio or rt_latency):

```
u-boot => setenv jh_root_dtb imx8mn-evk-harpoon.dtb
u-boot => run jh_mmcboot
```

- For i.MX 8M Nano (hello_world or audio AVB):

```
u-boot => setenv jh_root_dtb imx8mn-evk-harpoon-avb.dtb
u-boot => run jh_mmcboot
```

- For i.MX 8M Nano (hello_world, industrial, or rt_latency):

```
u-boot => setenv jh_root_dtb imx8mn-evk-harpoon-industrial.dtb
u-boot => run jh_mmcboot
```

- For i.MX 8M Plus (hello_world, audio, or rt_latency):

```
u-boot => setenv jh_root_dtb imx8mp-evk-harpoon.dtb
u-boot => run jh_mmcboot
```

- For i.MX 8M Plus (hello_world or audio AVB):

```
u-boot => setenv jh_root_dtb imx8mp-evk-harpoon-avb.dtb
u-boot => run jh_mmcboot
```

- For i.MX 8M Plus (hello_world, industrial, or rt_latency):

```
u-boot => setenv jh_root_dtb imx8mp-evk-harpoon-industrial.dtb
u-boot => run jh_mmcboot
```

- For i.MX 8M Plus (hello_world or virtio networking):

```
u-boot => setenv jh_root_dtb imx8mp-evk-harpoon-virtio-net.dtb
# Clear VirtIO magic value in memory in case of warm reboot to avoid MMIO probe
error.
u-boot => mw fc700000 0 1
u-boot => run jh_mmcboot
```

- For i.MX 93 (hello_world, audio, or rt_latency):

```
u-boot => setenv jh_root_dtb imx93-11x11-evk-harpoon.dtb
u-boot => run jh_mmcboot
```


- For i.MX 93 (hello_world or audio AVB):

```
u-boot => setenv jh_root_dtb imx93-11x11-evk-harpoon-avb.dtb
u-boot => run jh_mmcboot
```

- For i.MX 93 (hello_world, industrial, or rt_latency):

```
u-boot => setenv jh_root_dtb imx93-11x11-evk-harpoon-industrial.dtb
u-boot => run jh_mmcboot
```

- For i.MX 93 (hello_world or virtio networking):

```
u-boot => setenv jh_root_dtb imx93-11x11-evk-harpoon-virtio-net.dtb
# Clear VirtIO magic value in memory in case of warm reboot to avoid MMIO probe
error.
u-boot => mw fc700000 0 1
u-boot => run jh_mmcboot
```

Note: This configuration is not persistent after a reboot.

To make changes permanent, execute the following commands once (after `setenv` above):

```
u-boot => setenv bootcmd 'run jh_mmcboot'
u-boot => saveenv
```

Now, at each reboot, the system starts with the Jailhouse compatible configuration and no user interaction is required.

4.3 hello_world application

The `hello_world` application is a simple demo for the basic features like IRQ, generic timer and UART on FreeRTOS and Zephyr.

The application binary is available in the Harpoon share directory of the root file system:

```
/usr/share/harpoon/inmates/freertos/hello_world.bin # FreeRTOS binary
/usr/share/harpoon/inmates/zephyr/hello_world.bin # Zephyr binary
```

To use the `hello_world` application, Jailhouse must be started first. To start Jailhouse and the application, create the corresponding Harpoon configuration file and run the harpoon service using `systemd`; for instance:

To run FreeRTOS binary, create configuration:

```
# harpoon_set_configuration.sh freertos hello
```

To run Zephyr binary, create configuration:

```
# harpoon_set_configuration.sh zephyr hello
```

Start Harpoon service:

```
# systemctl start harpoon
```

The configuration file is stored under `/etc/harpoon/harpoon.conf`, the Harpoon `systemd` service uses it to start Jailhouse and the application.

Once the Harpoon service has been started, the following logs is shown in the inmate cell console:

FreeRTOS logs:

```
INFO: hello_func          : Hello world.  
tic tac tic tac ...
```

Zephyr logs:

```
*** Booting Zephyr OS build zephyr-v3.3.0-25-gd3644304707e ***  
INFO: hello_func          : Hello world.  
INFO: hello_func          : 2 threads running  
tic tac tic tac ...
```

4.4 Audio application

4.4.1 Features of the audio application

The audio application is available in the Harpoon share directory of the target's root file system:

```
/usr/share/harpoon/inmates/freertos/audio.bin # FreeRTOS binary  
/usr/share/harpoon/inmates/zephyr/audio.bin   # Zephyr binary
```

The different modes are:

- DTMF playback: plays a DTMF sequence.
- Sine wave playback: plays a generated sine wave.
- Loopback: records sound from all available SAI sources and plays it live through the same SAI instances' sinks.
- Full Audio pipeline: implements a flexible 3-stage pipeline with different sources (DTMF, sine waves, SAI input) that can be routed to different sinks (SAI outputs).
- AVB Audio pipeline: implements a 3-stage pipeline with AVB input as a source that can be routed to different sinks (SAI outputs, AVTP sink).
- AVB Audio pipeline with Media Clock Recovery support: uses the pipeline above only with elements that support Media Clock Recovery.
- SMP Audio pipeline: splits the Full Audio pipeline in two pieces to process them onto different cores.
- AVB SMP Audio pipeline: splits the AVB Audio pipeline in two pieces to process them onto different cores.
- AVB SMP Audio pipeline with Media Clock Recovery support: uses the above pipeline only with elements that support Media Clock Recovery.

All the modes support (see Notes for exceptions):

- Basic pipeline framework for audio processing.
- 44100, 48000, 88200, 96000, 176400, and 192000 Hz sample frequencies.
- Audio processing period with 2, 4, 8, 16, or 32 frames.
- Audio processing in 64-bit float format.
- Audio playback to both SAI3 (on board codec/sound jack) and SAI5 (HiFiBerry).
- Audio capture from SAI5 (HiFiBerry).

Note:

- *i.MX 93 supports only a single SAI instance (SAI3) and can be used to either connect to the on-board audio codec or the MX93AUD-HAT audio evaluation platform through a runtime application configuration.*
- *The on-board codec on i.MX 93 EVK (WM8962) supports only 48 kHz and 96 kHz sample rates.*
- *The MX93AUD-HAT supports only 48 kHz, 96 kHz, and 192 kHz sample rates.*
- *i.MX 93 does not support any of the SMP Audio pipelines.*

- *Playback on SAI3: The i.MX 8M Plus EVK on board codec (WM8960) supports sample rates up to 48 kHz. only. 88.2 kHz and above frequency settings will fail for this codec.*
- *Media Clock Recovery: Only supported on i.MX 8M Plus EVK using SAI3 (on-board codec/sound jack).*

4.4.2 Starting the audio application

The Harpoon service uses the `/etc/harpoon/harpoon.conf` configuration file that contains the RTOS and the application to run. By default, the configuration file points to the FreeRTOS audio application.

To use the Zephyr audio application, run the following command to generate an appropriate configuration file:

```
# harpoon_set_configuration.sh zephyr audio
```

To use the audio application, start Jailhouse first. To start Jailhouse and the audio application, run the Harpoon service with Systemd:

```
# systemctl start harpoon
```

Once the Harpoon service is started, `harpoon_ctrl` is used to start or stop the audio modes with optional parameters. The different options for the audio application are:

```
Audio options:
  -f <frequency> audio clock frequency (in Hz):
                  imx8m{n,m,p}: supporting 44100, 48000, 88200, 96000,
                  176400 and 192000 Hz
                  imx93: supporting 48000 and 96000 Hz
                  supporting 48000, 96000, 192000 Hz using MX93AUD-
HAT
  -p <frames>    Will use default frequency 48000Hz if not specified
                  audio processing period (in frames)
                  Supporting 2, 4, 8, 16, 32 frames
                  Will use default period 8 frames if not specified
  -a <mac_addr> set hardware MAC address (default 00:bb:cc:dd:ee:14)
  -r <id>        run audio mode id:
                  0 - dtmf playback
                  1 - sine wave playback
                  2 - playback & recording (loopback)
                  3 - audio pipeline
                  4 - AVB audio pipeline
                  5 - SMP audio pipeline on imx8m{n,m,p}
                  6 - AVB audio pipeline (with MCR support) only on i.mx8mp
                  7 - SMP + AVB audio pipeline on imx8m{n,m,p}
                  8 - SMP + AVB audio pipeline (with MCR support) only on
i.mx8mp
  -H            select the MX93AUD-HAT extension audio board. Only on
i.mx93
  -s            stop running audio mode

Audio pipeline options:
  -a <pipeline_id> audio pipeline id (default 0)
  -d              audio pipeline dump

Audio element options:
  -a <pipeline_id> audio pipeline id (default 0)
  -d              audio element dump
  -e <element_id> audio element id (default 0)
  -t <element_type> audio element type (default 0):
                  0 - dtmf source
```

```

1 - routing
2 - sai sink
3 - sai source
4 - sine source
5 - avtp source
6 - avtp sink

Routing audio element options:
-a <pipeline_id> audio pipeline id (default 0)
-c              connect routing input/output
-d              disconnect routing input/output
-e <element_id> routing element id (default 0)
-i <input_id>   routing element input (default 0)
-o <output_id>  routing element output (default 0)
    
```

4.4.3 Audio latency in loopback mode

The loopback mode reads audio samples from HiFiBerry's ADC in an audio buffer and sends this buffer to the HiFiBerry's DAC when fully loaded.

The end-to-end latency, between the analog audio input and the analog audio output, has been measured and is dependent on the audio buffer size and the audio sampling rate. The RTOS and SoC combination does not alter the latency measurements.

Table 6. Audio application latency

Sampling rate (kHz)	Audio latency (µs)				
	Audio buffer size (frames)				
	32	16	8	4	2
192	612	442	363	317	295
176.4	669	488	397	351	329
96	1,202	873	703	623	578
88.2	1,315	952	771	680	635
48	2,392	1,723	1,383	1,224	1,134
44.1	2,596	1,870	1,508	1,327	1,236

4.4.4 Running audio application: examples

4.4.4.1 Playing DTMF

To run DTMF playback with the default parameters (48000 Hz sampling rate):

```
# harpoon_ctrl audio -r 0
```

The DTMF is played to both the HiFiBerry RCA outputs (on i.MX 8M EVKs) and the onboard jack.

To use the MX93AUD-HAT on the i.MX 93 EVK rather than the on-board codec:

```
# harpoon_ctrl audio -r 0 -H
```

To run another audio use case or change the playback codec on i.MX 93 EVK, stop the playback using the following command:

```
# harpoon_ctrl audio -s
```

4.4.4.2 Playing in loopback mode

In loopback mode, the SAI input is copied to the SAI output.

To start loopback mode with the default parameters (48000 Hz sampling rate, 8 frame period size):

```
# harpoon_ctrl audio -r 2
```

The loopback mode is played to both the HiFiBerry RCA output and input (on i.MX 8M EVKs) and the on-board jack.

To use the MX93AUD-HAT on the i.MX 93 EVK rather than the on-board codec:

```
harpoon_ctrl audio -r 2 -H
```

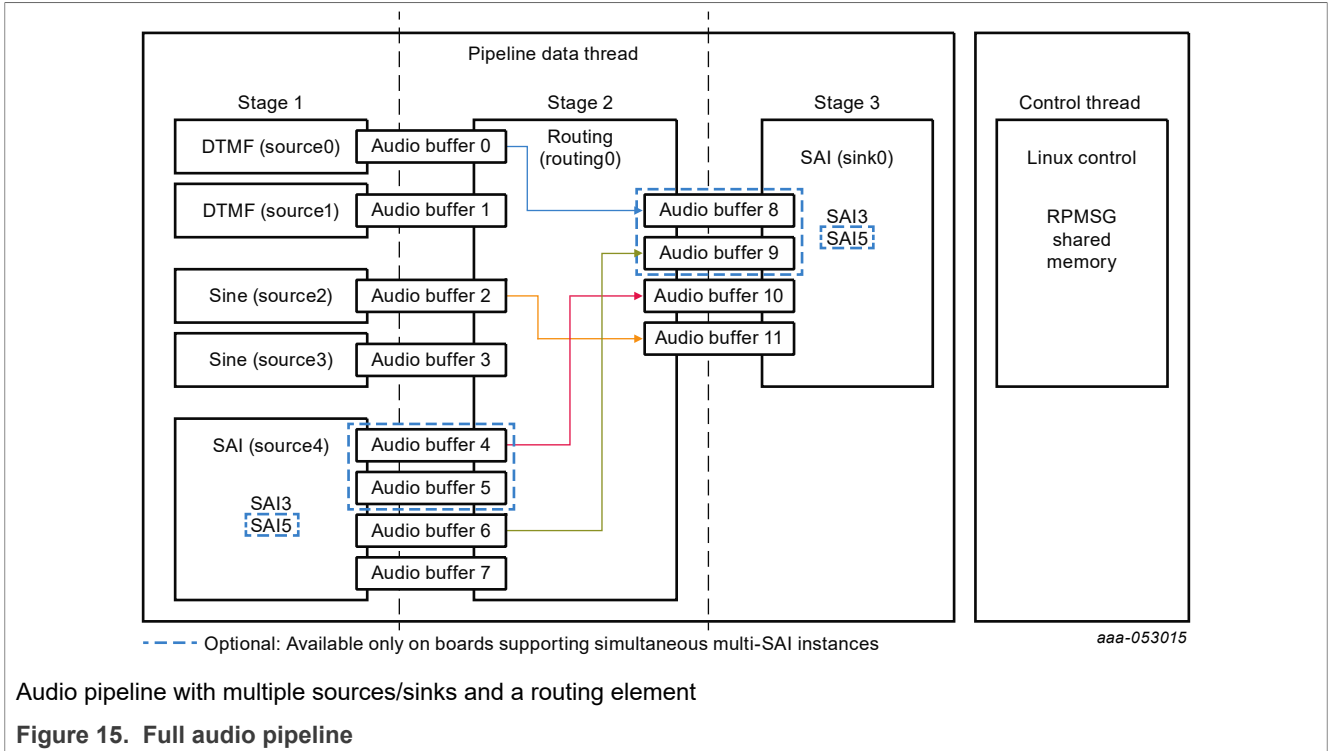
To run another audio use case or change the playback codec on the i.MX 93 EVK, stop the playback using the following command:

```
# harpoon_ctrl audio -s
```

4.4.4.3 Playing a full audio pipeline

The reference audio application is based on a basic pipeline framework for audio processing. Different audio processing elements can be assembled in a pipeline to process audio from source(s) to sink(s). The pipeline is processed in real time, cyclically with a fixed period.

In the audio pipeline mode, there is a three stage pipeline composed of a routing element in stage 2, which can link source elements from stage 1 to sink elements from stage 3.



Audio pipeline with multiple sources/sinks and a routing element

Figure 15. Full audio pipeline

When running the audio pipeline, the routes can be configured dynamically with the `harpoon_ctrl` command. This command uses source and sink indexes to connect elements.

Table 7. Indexes of source elements

Index		Source element	Comment
Multi-SAI pipeline	Single-SAI pipeline		
0	0	DTMF, sequence 1	Software generated source
1	1	DTMF, sequence 2	Software generated source
2	2	Sine wave, 440 Hz	Software generated source
3	3	Sine wave, 880 Hz	Software generated source
4	N/A	SAI5, left channel	Hardware source
5	N/A	SAI5, right channel	Hardware source
6	4	SAI3, left channel	Hardware source
7	5	SAI3, right channel	Hardware source

Table 8. Indexes of sink elements

Index		Sink element	Comment
Multi-SAI pipeline	Single-SAI pipeline		
0	N/A	SAI5, left channel	Hardware sink
1	N/A	SAI5, right channel	Hardware sink
2	0	SAI3, left channel	Hardware sink
3	1	SAI3, right channel	Hardware sink

This makes for a flexible pipeline.

- For instance, on multi-SAI boards (i.MX 8M EVKs), the following commands starts the pipeline and configures the routing element to have a loopback between SAI input and SAI output (i.e., sound recorded by the HiFiBerry card played by the EVK's internal codec or audio jack input) while a DTMF sequence is played on the left channel of SAI's output and a 440 Hz sine wave on the right channel of SAI's output (i.e., HiFiBerry's output or audio jack output):

```
# harpoon_ctrl audio -r 3 # start audio pipeline
# harpoon_ctrl routing -i 4 -o 2 -c # SAI5's input to SAI3's output (L)
# harpoon_ctrl routing -i 5 -o 3 -c # SAI5's input to SAI3's output (R)
# harpoon_ctrl routing -i 0 -o 0 -c # DTMF to SAI5's output (L)
# harpoon_ctrl routing -i 2 -o 1 -c # sinewave 440Hz to SAI5's output (R)
```

- On the other hand, for boards with single-SAI support (i.MX 93 EVK), the following commands starts the pipeline and routing element to have a DTMF sequence played on the left channel of SAI's output and a 440 Hz sine wave on the right channel of SAI's output (i.e., On-Board Codec audio jack output, MX93AUD-HAT audio jack output (J10)).

First, start the pipeline on the chosen audio codec.

On-board codec:

```
# harpoon_ctrl audio -r 3 # start audio pipeline on the On-Board Codec
```

Or, the MX93AUD-HAT codec:

```
# harpoon_ctrl audio -r 3 -H # start audio pipeline on the MX93AUD-HAT
```

Then connect the signals to the output buffers:

```
# harpoon_ctrl routing -i 0 -o 0 -c # DTMF to SAI3's output(L)
# harpoon_ctrl routing -i 2 -o 1 -c # sinewave 440Hz to SAI3's output(R)
```

Note:

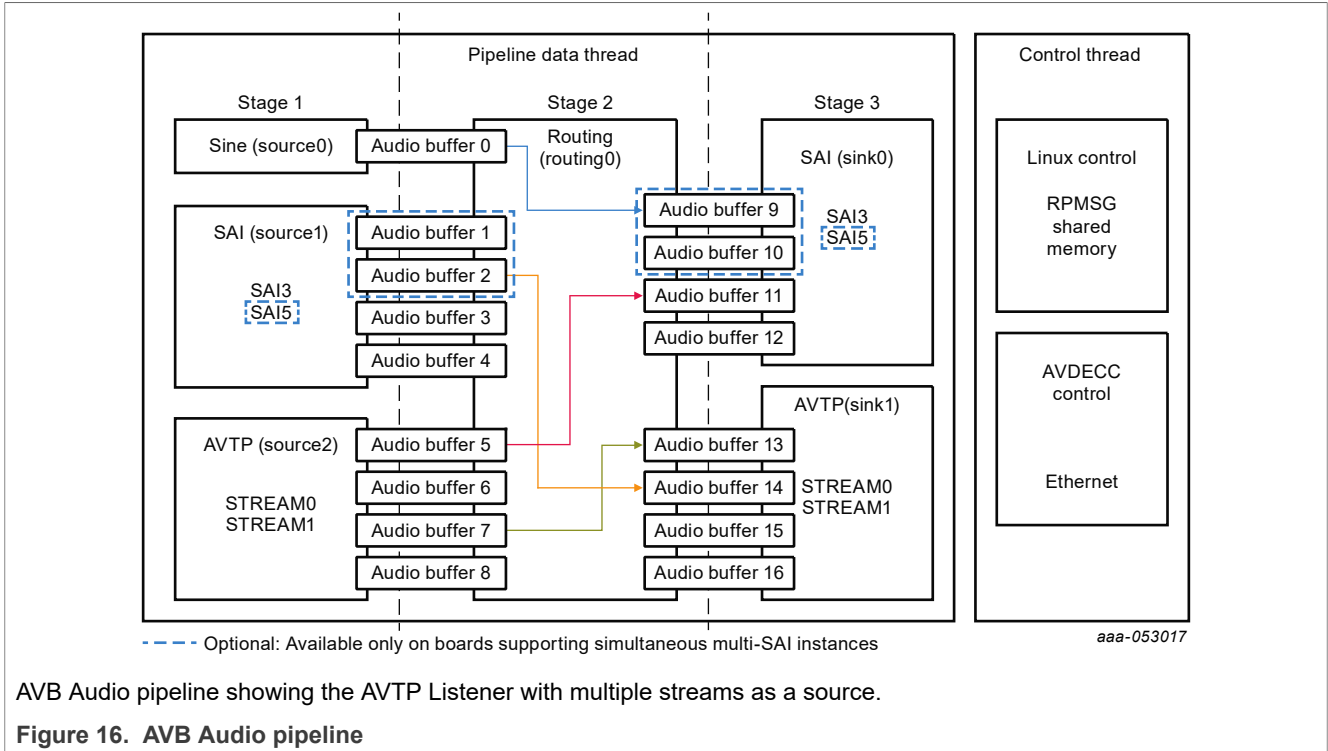
- *The pipeline dump also outputs the Audio Buffer Routing for an easier Buffer Routing through the "Routing Element".*
- *To change the audio codec used for i.MX 93 EVK, issue a pipeline stop before another run command.*

4.4.4.4 Playing an AVB audio pipeline

The AVB audio pipeline embeds an AVB Listener as a source element, making use of the GenAVB/TSN stack streaming API's. This element is only responsible of the audio data path:

- Supports one or more AVTP Listener streams
- Supports one or more AVTP Talker streams
- Supports multi-channel AVTP streams
- Supports scatter of audio data
- Supports audio format conversion, from AVTP stream format to the common format
- Supports Media Clock Recovery (on a specific audio Pipeline)

It re-uses the audio application's pipeline framework for audio processing in which an AVTP Listener is added as a source.



AVB Audio pipeline showing the AVTP Listener with multiple streams as a source.

Figure 16. AVB Audio pipeline

When running the AVB audio pipeline, the routes can be configured dynamically with the `harpoon_ctrl` command. This command uses source and sink indexes to connect elements.

Table 9. Indexes of source elements

Index		Source element	Comment
Multi-SAI pipeline	Single-SAI pipeline		
0	0	Sine wave, 440 Hz	Software generated source
1	N/A	SAI5, left channel	Hardware source
2	N/A	SAI5, right channel	Hardware source
3	1	SAI3, left channel	Hardware source
4	2	SAI3, right channel	Hardware source
5	3	AVTP, stream#0 left channel	AVB source from network
6	4	AVTP, stream#0 right channel	AVB source from network
7	5	AVTP, stream#1 left channel	AVB source from network
8	6	AVTP, stream#1 right channel	AVB source from network

Table 10. Indexes of sink elements

Index		Sink element	Comment
Multi-SAI pipeline	Single-SAI pipeline		
0	N/A	SAI5, left channel	Hardware sink
1	N/A	SAI5, right channel	Hardware sink
2	0	SAI3, left channel	Hardware sink
3	1	SAI3, right channel	Hardware sink

Table 10. Indexes of sink elements...continued

Index		Sink element	Comment
Multi-SAI pipeline	Single-SAI pipeline		
4	2	AVTP, stream#0 left channel	AVB sink to network
5	3	AVTP, stream#0 right channel	AVB sink to network
6	4	AVTP, stream#1 left channel	AVB sink to network
7	5	AVTP, stream#1 right channel	AVB sink to network

As for the pipeline with Media Clock Recovery support:

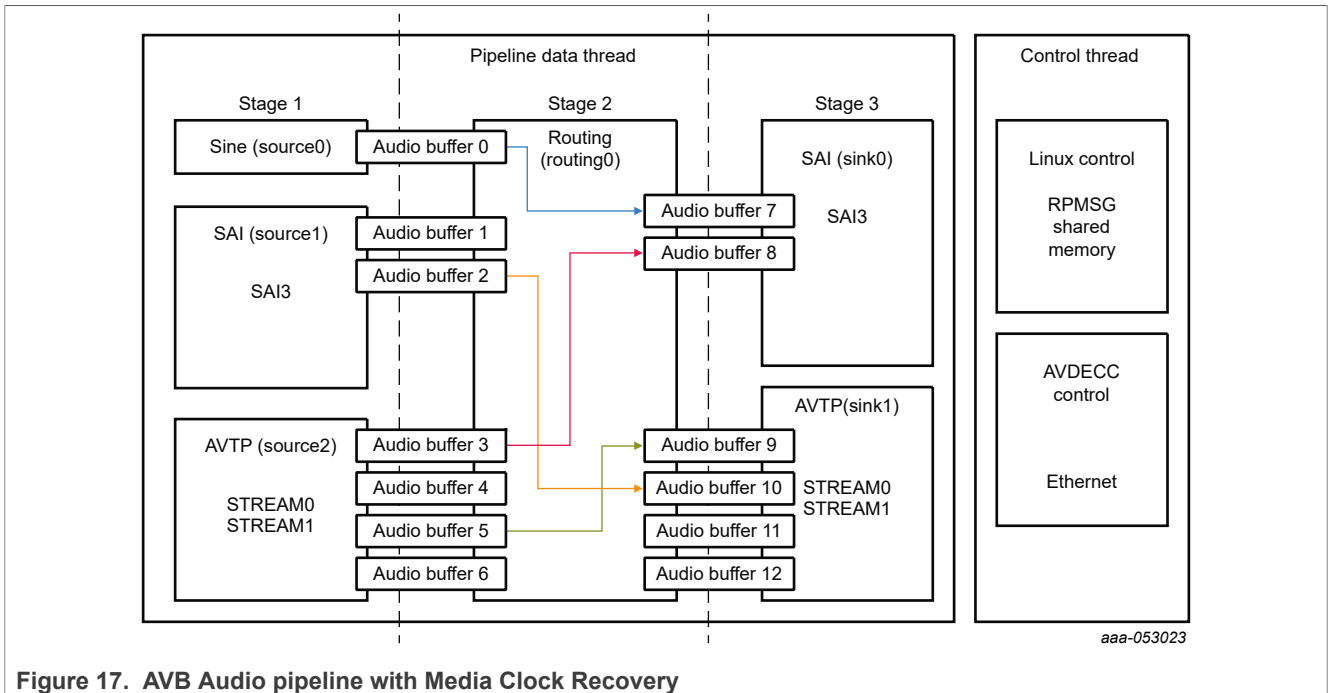


Figure 17. AVB Audio pipeline with Media Clock Recovery

Table 11. Indexes of source elements

Index	Source element	Comment
0	Sine wave, 440 Hz	Software generated source
1	SAI3, left channel	Hardware source
2	SAI3, right channel	Hardware source
3	AVTP, stream#0 left channel	AVB source from network
4	AVTP, stream#0 right channel	AVB source from network
5	AVTP, stream#1 left channel	AVB source from network
6	AVTP, stream#1 right channel	AVB source from network

Table 12. Indexes of sink elements

Index	Sink element	Comment
0	SAI3, left channel	Hardware sink
1	SAI3, right channel	Hardware sink
2	AVTP, stream#0 left channel	AVB sink to network

Table 12. Indexes of sink elements...continued

Index	Sink element	Comment
3	AVTP, stream#0 right channel	AVB sink to network
4	AVTP, stream#1 left channel	AVB sink to network
5	AVTP, stream#1 right channel	AVB sink to network

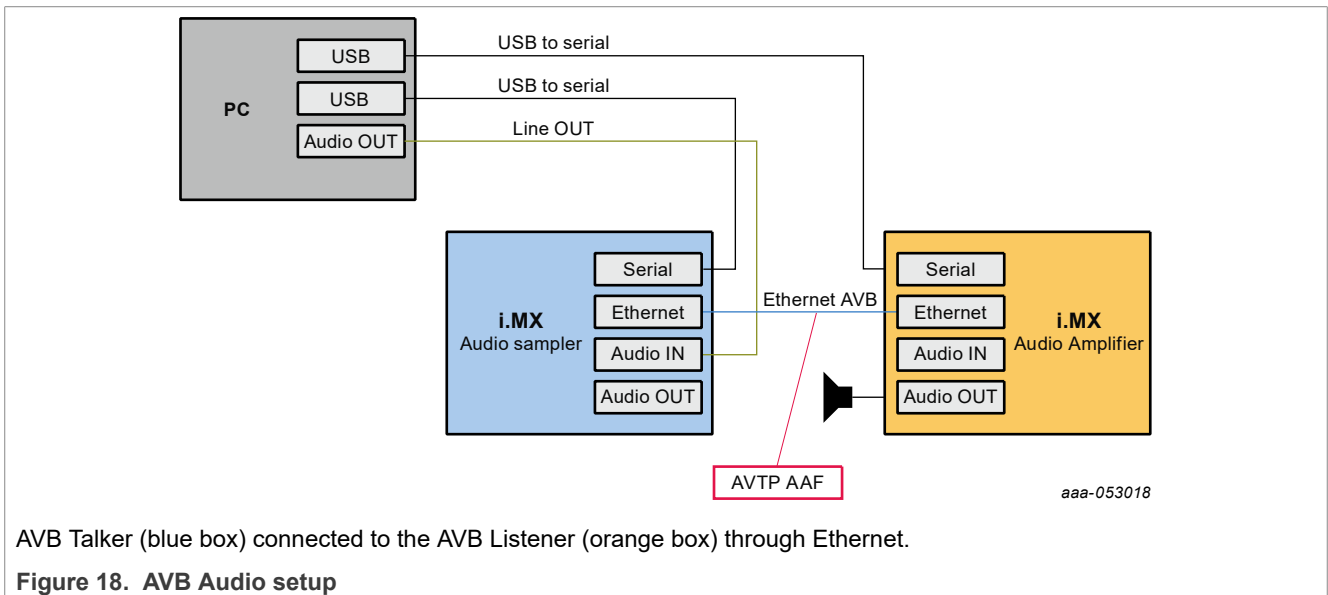
The sections below describe how to set up an (external) AVB Audio Media Server to enable the (Harpoon) AVB Listener and Talker.

4.4.4.4.1 AVB: Harpoon AVTP Listener

4.4.4.4.1.1 AVB setup preparation

An i.MX 8M Plus EVK with Real-time Edge SW v2.5 (or above) can be used as a Talker. On the other end, any Harpoon supported EVK can be used as a Listener.

1. Connect the headphones/speakers to the HiFiBerry's RCA output or the Listener's audio Jack port.
2. Connect both the i.MX boards with an Ethernet RJ45 cable.
3. Connect a Serial/USB cable to each i.MX board and to some USB ports of the host PC.
4. Start consoles of the i.MX boards through the serial/USB ports.



4.4.4.4.1.2 AVB Talker configuration (Linux)

The default AVB script needs to be modified to configure operations of the Talker entity as using a custom Media Application. The AVB Stack is provided with a simple Media Server application example, interfaced to the AVB stack through the GenAVB/TSN API, and supporting reading audio samples from a media file.

To enable AVB streaming using this media application, the endpoint needs to be configured as Endpoint AVB and the GenAVB/TSN configuration files needs to be modified as follows:

1. Power on the i.MX board and let the boot process complete

2. Configure the GenAVB/TSN stack to Endpoint AVB mode by setting GENAVB_TSN_CONFIG to the right value in the GenAVB/TSN mode configuration file:

```
# vi /etc/genavb/config
```

For i.MX 8M Plus EVK:

```
GENAVB_TSN_CONFIG=2
```

3. Save and exit the file
4. Edit the GenAVB/TSN AVB configuration file using the following command:

```
# vi /etc/genavb/config_avb
```

5. Set the configuration profile to PROFILE 2

```
PROFILE=2
```

6. Save and exit the file.
7. A raw audio file `sample1_for_aaf.raw` is available in the `/home/media` repository. The multi-stream application example looks for audio files named `talker_mediaX.raw` in the `/home/media` repository, with X being the stream number. Therefore, before executing the multi-stream application, some symbolic links needs to be created in the `/home/media` directory for associating the `talker_mediaX.raw` names; here is an example for stream #0:

```
# cd /home/media
# ln -s sample1_for_aaf.raw talker_media0.raw
```

8. Enable the GenAVB/TSN systemd service to start the stack automatically on next reboot:

```
# systemctl enable genavb-tsn
```

9. Reboot the board. The change is saved across reboots, so this has only to be done once.

10. Stop in U-Boot and select the AVB device tree blob before booting Linux:

```
=> setenv fdtfile imx8mp-evk-avb.dtb
=> boot
```

4.4.4.4.1.3 AVB Listener configuration (Harpoon)

The AVB Listener is implemented in Harpoon interfaces with the AVB stack through the GenAVB/TSN API, and supports reading audio samples from the network while pushing out the audio data, through the audio pipeline, on the SAI interfaces.

To enable the AVB Listener on the Harpoon side, perform the following steps:

1. Power on the i.MX board and stop the boot process in U-Boot to fetch the AVB DTB file:

```
=> setenv jh_root_dtb imx8mp-evk-harpoon-avb.dtb
=> run jh_mmcbboot
```

2. Start the audio application using the following command at the Linux prompt:

- On FreeRTOS

```
# harpoon_set_configuration.sh freertos avb
# systemctl start harpoon
```

- On Zephyr

```
# harpoon_set_configuration.sh zephyr avb
```

```
# systemctl start harpoon
```

- Start the AVB pipeline, connecting the AVTP source element (stream #0) to the SAI output (for example, HiFiBerry board).

- On Multi-SAI boards (i.MX 8M EVKs):
Connect the AVTP element to the HiFiBerry board (SAI5).

```
# harpoon_ctrl audio -r 4
# harpoon_ctrl routing -i 5 -o 0 -c
# harpoon_ctrl routing -i 6 -o 1 -c
```

- On Single-SAI boards (i.MX 93 EVK):
Connect the AVTP element to the on-board jack (SAI3) or to the audio expansion board output jack (using an additional `-H` option in the command).

```
# harpoon_ctrl audio -r 4 # add -H to select the MX93AUD-HAT
# harpoon_ctrl routing -i 3 -o 0 -c
# harpoon_ctrl routing -i 4 -o 1 -c
```

- Watch for AVTP source logs once the stream is connected (see next section):

```
INFO: avtp_source_element_st: rx stream: 0, avtp(C067ABF0, 0)
INFO: avtp_source_element_st: connected: 1
INFO: avtp_source_element_st: batch size: 64
INFO: avtp_source_element_st: underflow: 459, overflow: 0 err: 0 received: 208617
INFO: avtp_source_element_st: rx stream: 1, avtp(0, 0)
INFO: avtp_source_element_st: connected: 0
INFO: avtp_source_element_st: batch size: 0
INFO: avtp_source_element_st: underflow: 0, overflow: 0 err: 0 received: 0
```

4.4.4.4.1.4 AVB Listener with Media clock Recovery configuration (Harpoon)

The media clock recovery feature permits the listener to synchronize its media clock to a remote master clock through gPTP timestamps in the AVTP stream. On boards that support this feature, users can enable the Harpoon AVB listener to use timestamps from the AVTP stream to tune its own audio PLL and prevent audio clock drifts with the AVB talker. This feature is only available on the i.MX 8M Plus EVK currently and SAI3 output only.

To enable the AVB Listener (with MCR support) on Harpoon side, perform the following steps:

- Power on the i.MX board and stop the boot process in U-Boot to fetch the AVB DTB file:

```
=> setenv jh_root_dtb imx8mp-evk-harpoon-avb.dtb
=> run jh_mmcbboot
```

- Start the audio application using the following command at the Linux prompt:

- on FreeRTOS

```
# harpoon_set_configuration.sh freertos avb
# systemctl start harpoon
```

- On Zephyr

```
# harpoon_set_configuration.sh zephyr avb
# systemctl start harpoon
```

- Start the AVB pipeline, connecting the AVTP source element (stream #0) to the SAI output (for example, on the board jack).

```
# harpoon_ctrl audio -r 6
# harpoon_ctrl routing -i 3 -o 0 -c
```

```
# harpoon_ctrl routing -i 4 -o 1 -c
```

4. Watch for AVTP source logs once the stream is connected (see next section):

```
INFO: avtp_source_element_st: rx stream: 0, avtp(C067ABF0, 0)
INFO: avtp_source_element_st: connected: 1
INFO: avtp_source_element_st: batch size: 64
INFO: avtp_source_element_st: underflow: 459, overflow: 0 err: 0 received:
208617
INFO: avtp_source_element_st: rx stream: 1, avtp(0, 0)
INFO: avtp_source_element_st: connected: 0
INFO: avtp_source_element_st: batch size: 0
INFO: avtp_source_element_st: underflow: 0, overflow: 0 err: 0 received: 0
```

You can also see logs about the Media Clock Recovery execution:

```
INFO      23.157693775 os      mclock_rec_pll_stats      : adjust      = 0
INFO      23.157693775 os      mclock_rec_pll_stats      : reset       = 0
INFO      23.157693775 os      mclock_rec_pll_stats      : start       = 0
INFO      23.157693775 os      mclock_rec_pll_stats      : stop        = 0
INFO      23.157693775 os      mclock_rec_pll_stats      : GPTP error  = 0
INFO      23.157693775 os      mclock_rec_pll_stats      : GPTP start error = 0
INFO      23.157693775 os      mclock_rec_pll_stats      : GPTP gettime error = 0
INFO      23.157693775 os      mclock_rec_pll_stats      : measurement error = 0
INFO      23.157693775 os      mclock_rec_pll_stats      : watchdog error = 0
INFO      23.157693775 os      mclock_rec_pll_stats      : ts error    = 0
INFO      23.157693775 os      mclock_rec_pll_stats      : drift error  = 0
INFO      23.157693775 os      mclock_rec_pll_stats      : error (Hz/s) = 0
INFO      23.157693775 os      mclock_rec_pll_stats      : gpt_rec event = 0
INFO      23.157693775 os      mclock_rec_pll_stats      : gpt_rec event fec = 0
INFO      23.157693775 os      mclock_rec_pll_stats      : fec_reloaded = 0
INFO      23.157693775 os      mclock_rec_pll_stats      : numerator   = 0
INFO      23.157693775 os      mclock_rec_pll_stats      : measure     = 0
INFO      23.157693775 os      mclock_rec_pll_stats      : err_set_pll_rate = 0
INFO      23.157693775 os      mclock_rec_pll_stats      : err_pll_prec = 0
INFO      23.157693775 os      mclock_rec_pll_stats      : last_app_adjust = 0
```

Note:

Media Clock Recovery is supported only on the i.MX 8M Plus.

4.4.4.4.1.5 AVB stream connection

This section describes how to use AVDECC events to configure the stream output of the Talker to the input of the Listener. To do so, we may use the GenAVB AVDECC controller application available on the Talker endpoint:

```
# genavb-controller-app -h
NXP's GenAVB AVDECC controller demo application

Usage:
app [options]

Options:
-S <control_type> <entity_id> <control_index> <value> Set a given control to the given
value where control_type must be uint8 or utf8 (For utf8:
<value> must be string of max 99 characters)
-G <control_type> <entity_id> <control_index> Get a control value where
control_type must be uint8 or utf8
-l list discovered AVDECC entities
-c <talker_entity_id> <talker_unique_id> <listener_entity_id> <listener_unique_id> <flags>
connect a stream between a talker and a listener
-d <talker_entity_id> <talker_unique_id> <listener_entity_id> <listener_unique_id>
disconnect a stream between a talker and a listener
-r <listener_entity_id> <listener_unique_id> Get information about a listener
sink
-t <talker_entity_id> <talker_unique_id> Get information about a talker
source
```

```

-s <talker_entity_id> <talker_unique_id> <index>           Get information from a talker about
a given connection/stream
-T <talker_entity_id> <talker_unique_id> <start|stop>     Send START_STREAMING or
STOP_STREAMING command to a talker
-L <listener_entity_id> <listener_unique_id> <start|stop> Send START_STREAMING or
STOP_STREAMING command to a listener
-h                                                       print this help text
    
```

First of all, the Talker's entity information can be displayed by using the AVDECC controller application (available on the talker endpoint):

```

# genavb-controller-app -l
NXP's GenAVB AVDECC controller demo application
Number of discovered entities: 2
Entity ID = 0x49f070f840001   Model ID = 0x49f0000080001   Capabilities = 0x8 Association ID =
0x0   MAC address= 00:04:9F:07:0F:84   Local MAC address= 00:04:9F:07:0F:84
  Controller
  Controls:
    None

Entity ID = 0x49f070f840000   Model ID = 0x49f0000090001   Capabilities = 0x708 Association ID =
0x0   MAC address= 00:04:9F:07:0F:84   Local MAC address= 00:04:9F:07:0F:84
  Talker:   sources = 8   capabilities = 0x4801
    Stream 0: name =      Stream output 0   interface index = 0   number of formats = 1
  flags = 0x6   current_format = 0x0205021800806000 ( AAF 2chans 24/32bits 48000Hz 6samples/packet )
    Stream 1: name =      Stream output 1   interface index = 0   number of formats = 1
  flags = 0x6   current_format = 0x0205021800806000 ( AAF 2chans 24/32bits 48000Hz 6samples/packet )
    Stream 2: name =      Stream output 2   interface index = 0   number of formats = 1
  flags = 0x6   current_format = 0x0205021800806000 ( AAF 2chans 24/32bits 48000Hz 6samples/packet )
    Stream 3: name =      Stream output 3   interface index = 0   number of formats = 1
  flags = 0x6   current_format = 0x0205021800806000 ( AAF 2chans 24/32bits 48000Hz 6samples/packet )
    Stream 4: name =      Stream output 4   interface index = 0   number of formats = 1
  flags = 0x6   current_format = 0x0205021800806000 ( AAF 2chans 24/32bits 48000Hz 6samples/packet )
    Stream 5: name =      Stream output 5   interface index = 0   number of formats = 1
  flags = 0x6   current_format = 0x0205021800806000 ( AAF 2chans 24/32bits 48000Hz 6samples/packet )
    Stream 6: name =      Stream output 6   interface index = 0   number of formats = 1
  flags = 0x6   current_format = 0x0205021800806000 ( AAF 2chans 24/32bits 48000Hz 6samples/packet )
    Stream 7: name =      Stream output 7   interface index = 0   number of formats = 1
  flags = 0x6   current_format = 0x0205021800806000 ( AAF 2chans 24/32bits 48000Hz 6samples/packet )
  Listener:  sinks = 8   capabilities = 0x4801
    Stream 0: name =      Stream input 0   interface index = 0   number of formats = 1
  flags = 0x6   current_format = 0x0205021800806000 ( AAF 2chans 24/32bits 48000Hz 6samples/packet )
    Stream 1: name =      Stream input 1   interface index = 0   number of formats = 1
  flags = 0x6   current_format = 0x0205021800806000 ( AAF 2chans 24/32bits 48000Hz 6samples/packet )
    Stream 2: name =      Stream input 2   interface index = 0   number of formats = 1
  flags = 0x6   current_format = 0x0205021800806000 ( AAF 2chans 24/32bits 48000Hz 6samples/packet )
    Stream 3: name =      Stream input 3   interface index = 0   number of formats = 1
  flags = 0x6   current_format = 0x0205021800806000 ( AAF 2chans 24/32bits 48000Hz 6samples/packet )
    Stream 4: name =      Stream input 4   interface index = 0   number of formats = 1
  flags = 0x6   current_format = 0x0205021800806000 ( AAF 2chans 24/32bits 48000Hz 6samples/packet )
    Stream 5: name =      Stream input 5   interface index = 0   number of formats = 1
  flags = 0x6   current_format = 0x0205021800806000 ( AAF 2chans 24/32bits 48000Hz 6samples/packet )
    Stream 6: name =      Stream input 6   interface index = 0   number of formats = 1
  flags = 0x6   current_format = 0x0205021800806000 ( AAF 2chans 24/32bits 48000Hz 6samples/packet )
    Stream 7: name =      Stream input 7   interface index = 0   number of formats = 1
  flags = 0x6   current_format = 0x0205021800806000 ( AAF 2chans 24/32bits 48000Hz 6samples/packet )
  Controls:
    Control 0: name =      Volume Control 0   type = 0x90e0f00000000004   read-only = No
  value_type = 1   min = 0   current = 100   max = 100   step = 1
    
```

Once the Listener is running, its entity ID can be displayed by using the same tool:

```

Entity ID = 0x49fddee100000   Model ID = 0x49ffff000000001   Capabilities = 0x708 Association ID =
0x0   MAC address= 00:BB:CC:DD:EE:10   Local MAC address= 00:04:9F:07:0F:84
  Talker:   sources = 3   capabilities = 0x4801
    Stream 0: name =      Stream output 0   interface index = 0   number of formats = 1
  flags = 0x6   current_format = 0x0205021800806000 ( AAF 2chans 24/32bits 48000Hz 6samples/packet )
    Stream 1: name =      Stream output 1   interface index = 0   number of formats = 1
  flags = 0x6   current_format = 0x0205021800806000 ( AAF 2chans 24/32bits 48000Hz 6samples/packet )
    Stream 2: name =      Stream output 2   interface index = 0   number of formats = 1
  flags = 0x6   current_format = 0x0205021800806000 ( AAF 2chans 24/32bits 48000Hz 6samples/packet )
  Listener:  sinks = 3   capabilities = 0x4801
    
```

```

Stream 0: name = Stream input 0 interface index = 0 number of formats = 1
flags = 0x6 current_format = 0x0205021800806000 ( AAF 2chans 24/32bits 48000Hz 6samples/packet )
Stream 1: name = Stream input 1 interface index = 0 number of formats = 1
flags = 0x6 current_format = 0x0205021800806000 ( AAF 2chans 24/32bits 48000Hz 6samples/packet )
Stream 2: name = Stream input 2 interface index = 0 number of formats = 1
flags = 0x6 current_format = 0x0205021800806000 ( AAF 2chans 24/32bits 48000Hz 6samples/packet )
Controls:
Control 0: name = Volume Control 0 type = 0x90e0f00000000004 read-only = No
value_type = 1 min = 0 current = 100 max = 100 step = 1

```

To connect streams, use the following command:

```
# genavb-controller-app -c <talker_entity_id> <talker_unique_id> <listener_entity_id>
<listener_unique_id> <flag>
```

To disconnect a stream, use the command:

```
# genavb-controller-app -d <talker_entity_id> <talker_unique_id> <listener_entity_id>
<listener_unique_id>
```

In the below example, the Listener's stream #0 is connected to the Talker's stream #0:

```
# genavb-controller-app -c 0x49f070f840000 0 0x49fddee100000 0 0
NXP's GenAVB AVDECC controller demo application
Stream connection successful: stream id = 0x49f070f840000 Destination MAC address 91:E0:F0:00:FE:24
flags = 0x0 connection_count = 1 VLAN id = 0
```

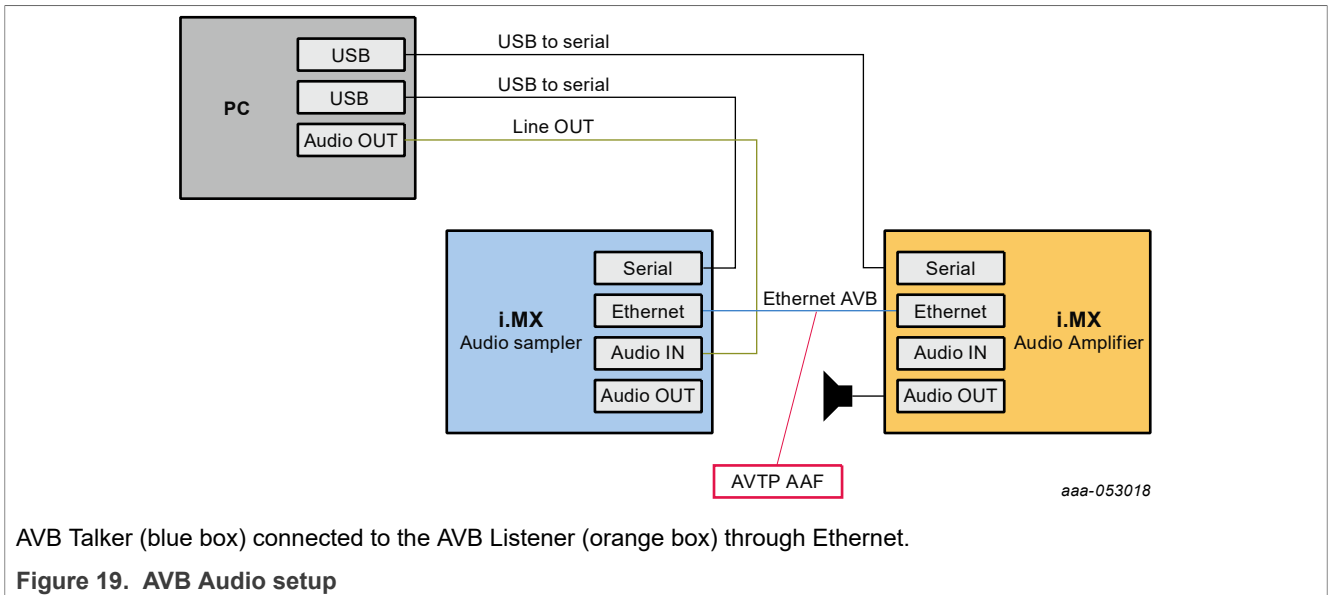
Once the stream is connected, the audio file can be heard on the SAI output lines.

4.4.4.4.2 AVB: Harpoon AVTP Talker

4.4.4.4.2.1 AVB setup preparation

An i.MX 8M Plus EVK with Real-time Edge SW v2.5 (or above) can be used as a Listener. On the other end, any Harpoon supported EVK can be used as a Talker.

1. Connect the headphones/speakers to the Listener's audio Jack port.
2. Connect both the i.MX boards with an Ethernet RJ45 cable.
3. Connect a Serial/USB cable to each i.MX board and to some USB ports of the host PC.
4. Start consoles of the i.MX boards through the serial/USB ports.



4.4.4.4.2.2 AVB Listener configuration (Linux)

The default AVB configuration needs to be modified to enable the Listener entity in a custom Media Application. The AVB Stack is provided with a simple Media Server application example, interfaced to the AVB stack through the GenAVB/TSN API.

To enable AVB listening using this media application, the endpoint needs to be configured as Endpoint AVB and the GenAVB/TSN configuration files needs to be modified as follows:

1. Power on the i.MX board and let the boot process complete
2. Configure the GenAVB/TSN stack to Endpoint AVB mode by setting GENAVB_TSN_CONFIG to the right value in the GenAVB/TSN mode configuration file:

```
# vi /etc/genavb/config
```

For i.MX 8M Plus EVK:

```
GENAVB_TSN_CONFIG=2
```

3. Save and exit the file
4. Edit the GenAVB/TSN AVB configuration file using the following command:

```
# vi /etc/genavb/config_avb
```

5. Set the configuration profile to PROFILE 14

```
PROFILE=14
```

6. Save and exit the file.
7. Enable the GenAVB/TSN systemd service to start the stack automatically on next reboot:

```
# systemctl enable genavb-tsn
```

8. Reboot the board. The change is saved across reboots, so this has only to be done once.
9. Stop in U-Boot and select the AVB device tree blob before booting Linux:

For i.MX 8M Plus EVK:

```
=> setenv fdtfile imx8mp-evk-avb.dtb
=> boot
```


4.4.4.4.2.3 AVB Talker configuration (Harpoon)

The AVB Talker implemented in Harpoon interfaces with the AVB stack through the GenAVB/TSN API, and supports audio streaming to the network while reading the audio data, through the audio pipeline, from the SAI interfaces.

To enable the AVB Talker on the Harpoon side, perform the following steps:

1. Power on the i.MX board and stop the boot process in U-Boot to fetch the AVB DTB file:

```
=> setenv jh_root_dtb imx8mp-evk-harpoon-avb.dtb
=> run jh_mmcbboot
```

2. Start the audio application using the following command at the Linux prompt:

- On FreeRTOS

```
# harpoon_set_configuration.sh freertos avb
# systemctl start harpoon
```

- On Zephyr

```
# harpoon_set_configuration.sh zephyr avb
# systemctl start harpoon
```

3. Start the AVB pipeline, connecting the SAI input (for example, HiFiBerry board) to the AVTP sink element (stream #0).

- On Multi-SAI boards (i.MX 8M EVKs):

Connect the HiFiBerry board (SAI5) to the AVTP element.

```
# harpoon_ctrl audio -r 4 -a 00:bb:cc:dd:be:ef
# harpoon_ctrl routing -i 1 -o 4 -c
# harpoon_ctrl routing -i 2 -o 5 -c
```

- On Single-SAI boards (i.MX 93 EVK):

Connect the on-board audio jack (SAI3) or to the audio expansion board input jack (using an additional `-H` option in the command) to the AVTP element.

```
# harpoon_ctrl audio -r 4 -a 00:bb:cc:dd:be:ef # add -H to select the
MX93AUD-HAT
# harpoon_ctrl routing -i 1 -o 2 -c
# harpoon_ctrl routing -i 2 -o 3 -c
```

4. Watch for the AVTP sink logs once the stream is connected (see next section):

```
INFO: avtp_sink_element_st: rx stream: 0, avtp(C067ABF0, 0)
INFO: avtp_sink_element_st: connected: 1
INFO: avtp_sink_element_st: batch size: 64
INFO: avtp_sink_element_st: underflow: 459, overflow: 0 err: 0 sent: 208617
INFO: avtp_sink_element_st: rx stream: 1, avtp(0, 0)
INFO: avtp_sink_element_st: connected: 0
INFO: avtp_sink_element_st: batch size: 0
INFO: avtp_sink_element_st: underflow: 0, overflow: 0 err: 0 sent: 0
```

4.4.4.4.2.4 AVB stream connection

This section describes how to use AVDECC events to configure the stream output of the Talker to the input of the Listener. To do so, we may use the GenAVB AVDECC controller application available on the Listener (Linux endpoint):

```
# genavb-controller-app -h
NXP's GenAVB AVDECC controller demo application
```

```
Usage:
app [options]

Options:
  -S <control_type> <entity_id> <control_index> <value>   Set a given control to the given
value where control_type                                     must be uint8 or utf8 (For utf8:
                                                            <value> must be string of max 99 characters)
  -G <control_type> <entity_id> <control_index>           Get a control value where
control_type must be uint8 or utf8
  -l                                                       list discovered AVDECC entities
  -c <talker_entity_id> <talker_unique_id> <listener_entity_id> <listener_unique_id> <flags>
connect a stream between a talker and a listener
  -d <talker_entity_id> <talker_unique_id> <listener_entity_id> <listener_unique_id>
disconnect a stream between a talker and a listener
  -r <listener_entity_id> <listener_unique_id>           Get information about a listener
sink
  -t <talker_entity_id> <talker_unique_id>               Get information about a talker
source
  -s <talker_entity_id> <talker_unique_id> <index>       Get information from a talker about
a given connection/stream
  -T <talker_entity_id> <talker_unique_id> <start|stop>   Send START_STREAMING or
STOP_STREAMING command to a talker
  -L <listener_entity_id> <listener_unique_id> <start|stop>
Send START_STREAMING or
STOP_STREAMING command to a listener
  -h                                                       print this help text
```

First of all, the Talker's entity information can be displayed by using the AVDECC controller application (available on the talker endpoint):

```
# genavb-controller-app -l
NXP's GenAVB AVDECC controller demo application
Number of discovered entities: 4
Entity ID = 0x49f05cf720001   Model ID = 0x49f0000080001   Capabilities = 0x8 Association ID =
0x0   MAC address= 00:04:9F:05:CF:72   Local MAC address= 00:04:9F:05:CF:72
Controller
Controls:
  None

Entity ID = 0x49f070f840000   Model ID = 0x49f0000090001   Capabilities = 0x708 Association ID =
0x0   MAC address= 00:04:9F:07:0F:84   Local MAC address= 00:04:9F:05:CF:72
  Talker:
    sources = 8   capabilities = 0x4801
    Stream 0: name = Stream output 0   interface index = 0   number of formats = 1
  flags = 0x6   current_format = 0x0205021800806000 ( AAF 2chans 24/32bits 48000Hz 6samples/packet )
    Stream 1: name = Stream output 1   interface index = 0   number of formats = 1
  flags = 0x6   current_format = 0x0205021800806000 ( AAF 2chans 24/32bits 48000Hz 6samples/packet )
    Stream 2: name = Stream output 2   interface index = 0   number of formats = 1
  flags = 0x6   current_format = 0x0205021800806000 ( AAF 2chans 24/32bits 48000Hz 6samples/packet )
    Stream 3: name = Stream output 3   interface index = 0   number of formats = 1
  flags = 0x6   current_format = 0x0205021800806000 ( AAF 2chans 24/32bits 48000Hz 6samples/packet )
    Stream 4: name = Stream output 4   interface index = 0   number of formats = 1
  flags = 0x6   current_format = 0x0205021800806000 ( AAF 2chans 24/32bits 48000Hz 6samples/packet )
    Stream 5: name = Stream output 5   interface index = 0   number of formats = 1
  flags = 0x6   current_format = 0x0205021800806000 ( AAF 2chans 24/32bits 48000Hz 6samples/packet )
    Stream 6: name = Stream output 6   interface index = 0   number of formats = 1
  flags = 0x6   current_format = 0x0205021800806000 ( AAF 2chans 24/32bits 48000Hz 6samples/packet )
    Stream 7: name = Stream output 7   interface index = 0   number of formats = 1
  flags = 0x6   current_format = 0x0205021800806000 ( AAF 2chans 24/32bits 48000Hz 6samples/packet )
  Listener:
    sinks = 8   capabilities = 0x4801
    Stream 0: name = Stream input 0   interface index = 0   number of formats = 1
  flags = 0x6   current_format = 0x0205021800806000 ( AAF 2chans 24/32bits 48000Hz 6samples/packet )
    Stream 1: name = Stream input 1   interface index = 0   number of formats = 1
  flags = 0x6   current_format = 0x0205021800806000 ( AAF 2chans 24/32bits 48000Hz 6samples/packet )
    Stream 2: name = Stream input 2   interface index = 0   number of formats = 1
  flags = 0x6   current_format = 0x0205021800806000 ( AAF 2chans 24/32bits 48000Hz 6samples/packet )
    Stream 3: name = Stream input 3   interface index = 0   number of formats = 1
  flags = 0x6   current_format = 0x0205021800806000 ( AAF 2chans 24/32bits 48000Hz 6samples/packet )
    Stream 4: name = Stream input 4   interface index = 0   number of formats = 1
  flags = 0x6   current_format = 0x0205021800806000 ( AAF 2chans 24/32bits 48000Hz 6samples/packet )
    Stream 5: name = Stream input 5   interface index = 0   number of formats = 1
  flags = 0x6   current_format = 0x0205021800806000 ( AAF 2chans 24/32bits 48000Hz 6samples/packet )
    Stream 6: name = Stream input 6   interface index = 0   number of formats = 1
  flags = 0x6   current_format = 0x0205021800806000 ( AAF 2chans 24/32bits 48000Hz 6samples/packet )
```

```

Stream 7: name = Stream input 7 interface index = 0 number of formats = 1
flags = 0x6 current_format = 0x0205021800806000 ( AAF 2chans 24/32bits 48000Hz 6samples/packet )
Controls:
Control 0: name = Volume Control 0 type = 0x90e0f00000000004 read-only = No
value_type = 1 min = 0 current = 100 max = 100 step = 1

Entity ID = 0x49fddbeef0000 Model ID = 0x49fff00000001 Capabilities = 0x708 Association ID =
0x0 MAC address= 00:BB:CC:DD:BE:EF Local MAC address= 00:04:9F:05:CF:72
Talker: sources = 3 capabilities = 0x4801
Stream 0: name = Stream output 0 interface index = 0 number of formats = 1
flags = 0x6 current_format = 0x0205021800806000 ( AAF 2chans 24/32bits 48000Hz 6samples/packet )
Stream 1: name = Stream output 1 interface index = 0 number of formats = 1
flags = 0x6 current_format = 0x0205021800806000 ( AAF 2chans 24/32bits 48000Hz 6samples/packet )
Stream 2: name = Stream output 2 interface index = 0 number of formats = 1
flags = 0x6 current_format = 0x0205021800806000 ( AAF 2chans 24/32bits 48000Hz 6samples/packet )
Listener: sinks = 3 capabilities = 0x4801
Stream 0: name = Stream input 0 interface index = 0 number of formats = 1
flags = 0x6 current_format = 0x0205021800806000 ( AAF 2chans 24/32bits 48000Hz 6samples/packet )
Stream 1: name = Stream input 1 interface index = 0 number of formats = 1
flags = 0x6 current_format = 0x0205021800806000 ( AAF 2chans 24/32bits 48000Hz 6samples/packet )
Stream 2: name = Stream input 2 interface index = 0 number of formats = 1
flags = 0x6 current_format = 0x0205021800806000 ( AAF 2chans 24/32bits 48000Hz 6samples/packet )
Controls:
Control 0: name = Volume Control 0 type = 0x90e0f00000000004 read-only = No
value_type = 1 min = 0 current = 100 max = 100 step = 1
    
```

Once the Talker is running, its entity ID can be displayed by using the same tool:

```

Entity ID = 0x49fddbeef0000 Model ID = 0x49fff00000001 Capabilities = 0x708 Association ID =
0x0 MAC address= 00:BB:CC:DD:BE:EF Local MAC address= 00:04:9F:05:CF:72
Talker: sources = 3 capabilities = 0x4801
Stream 0: name = Stream output 0 interface index = 0 number of formats = 1
flags = 0x6 current_format = 0x0205021800806000 ( AAF 2chans 24/32bits 48000Hz 6samples/packet )
Stream 1: name = Stream output 1 interface index = 0 number of formats = 1
flags = 0x6 current_format = 0x0205021800806000 ( AAF 2chans 24/32bits 48000Hz 6samples/packet )
Stream 2: name = Stream output 2 interface index = 0 number of formats = 1
flags = 0x6 current_format = 0x0205021800806000 ( AAF 2chans 24/32bits 48000Hz 6samples/packet )
Listener: sinks = 3 capabilities = 0x4801
Stream 0: name = Stream input 0 interface index = 0 number of formats = 1
flags = 0x6 current_format = 0x0205021800806000 ( AAF 2chans 24/32bits 48000Hz 6samples/packet )
Stream 1: name = Stream input 1 interface index = 0 number of formats = 1
flags = 0x6 current_format = 0x0205021800806000 ( AAF 2chans 24/32bits 48000Hz 6samples/packet )
Stream 2: name = Stream input 2 interface index = 0 number of formats = 1
flags = 0x6 current_format = 0x0205021800806000 ( AAF 2chans 24/32bits 48000Hz 6samples/packet )
Controls:
Control 0: name = Volume Control 0 type = 0x90e0f00000000004 read-only = No
value_type = 1 min = 0 current = 100 max = 100 step = 1
    
```

To connect streams, use the following command:

```
# genavb-controller-app -c <talker_entity_id> <talker_unique_id> <listener_entity_id>
<listener_unique_id> <flag>
```

To disconnect a stream, use the command:

```
# genavb-controller-app -d <talker_entity_id> <talker_unique_id> <listener_entity_id>
<listener_unique_id>
```

In the below example, the Listener's stream #0 is connected to the Talker's stream #0:

```
# genavb-controller-app -c 0x49fddbeef0000 0 0x49f070f840000 0 0
NXP's GenAVB AVDECC controller demo application
Stream connection successful: stream id = 0xbbccddbeef0000 Destination MAC address
91:E0:F0:00:FE:21 flags = 0x0 connection_count = 1 VLAN id = 0
```

Once the stream is connected, the audio file can be heard on the SAI output lines.

4.4.4.4.3 AVB Connect Harpoon Listeners and Talker through an AVB bridge

4.4.4.4.3.1 AVB setup preparation

The AVB Listeners and Talker implemented in Harpoon can be connected with each other, and support reading audio samples from the network while pushing out the audio data, through the audio pipeline, on the SAI interfaces.

- Two or more AVB endpoints (i.MX 8M Plus EVK, i.MX 8M Mini EVK, or i.MX 8M Nano EVK)
- AVDECC controller (e.g., i.MX 8M Plus EVK with Real-time Edge SW v2.8 as AVB endpoint using `genavb-controller-app`)
- One AVB bridge (e.g., LS1028ARDB with Real-time Edge SW v2.8)

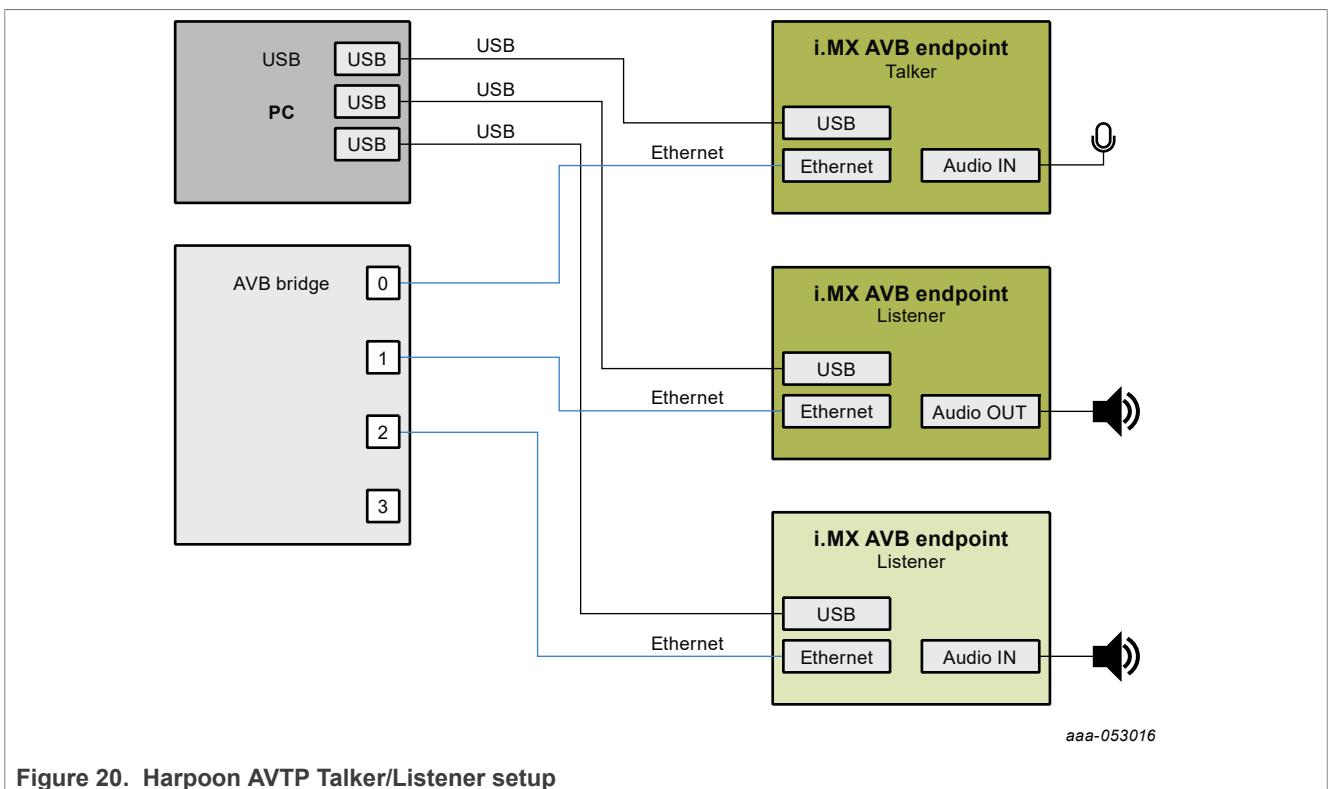


Figure 20. Harpoon AVTP Talker/Listener setup

4.4.4.4.3.2 AVB Bridge Configuration

Use the following commands to configure bridge on LS1028ARDB:

```
# avb-bridge.sh
# avb.sh start
```

4.4.4.4.3.3 AVB Listeners configuration (Harpoon)

The AVB Listener is implemented in Harpoon interfaces with the AVB stack through the GenAVB/TSN API, and supports reading audio samples from the network while pushing out the audio data, through the audio pipeline, on the SAI interfaces.

To enable the AVB Listener on the Harpoon side, perform the following steps:

1. Power on the i.MX board and stop the boot process in U-Boot to fetch the AVB DTB file:

```
=> setenv jh_root_dtb imx8mp-evk-harpoon-avb.dtb
=> run jh_mmcbboot
```

2. Start the audio application using the following command at the Linux prompt:

- On FreRTOS

```
# harpoon_set_configuration.sh freertos avb
# systemctl start harpoon
```

- On Zephyr

```
# harpoon_set_configuration.sh zephyr avb
# systemctl start harpoon
```

3. Start the AVB pipeline, connecting the AVTP source element (stream #0) to the SAI output (for example, HiFiBerry board).

- On Multi-SAI boards (i.MX 8M EVKs):

Connect the AVTP element to the HiFiBerry board (SAI5).

```
# harpoon_ctrl audio -r 4 -a 00:bb:cc:dd:be:ef
# harpoon_ctrl routing -i 5 -o 0 -c
# harpoon_ctrl routing -i 6 -o 1 -c
```

- On Single-SAI boards (i.MX 93 EVK):

Connect the AVTP element to the on-board jack (SAI3) or to the audio expansion board output jack (using an additional `-H` option in the command).

```
# harpoon_ctrl audio -r 4 -a 00:bb:cc:dd:be:ef # add -H to select the
  MX93AUD-HAT
# harpoon_ctrl routing -i 3 -o 0 -c
# harpoon_ctrl routing -i 4 -o 1 -c
```

4. For other AVB AVTP Listener instances, use a different MAC address:

- On Multi-SAI boards (i.MX 8M EVKs):

```
# harpoon_ctrl audio -r 4 -a 00:bb:cc:dd:ca:fe
# harpoon_ctrl routing -i 5 -o 0 -c
# harpoon_ctrl routing -i 6 -o 1 -c
```

- On Single-SAI boards (i.MX 93 EVK):

```
# harpoon_ctrl audio -r 4 -a 00:bb:cc:dd:ca:fe # add -H to select the
  MX93AUD-HAT
# harpoon_ctrl routing -i 3 -o 0 -c
# harpoon_ctrl routing -i 4 -o 1 -c
```

5. Watch for AVTP source logs once the stream is connected (see next section):

```
INFO: avtp_source_element_st: rx stream: 0, avtp(C067ABF0, 0)
INFO: avtp_source_element_st:   connected: 1
INFO: avtp_source_element_st:   batch size: 64
INFO: avtp_source_element_st:   underflow: 459, overflow: 0 err: 0 received: 208617
INFO: avtp_source_element_st: rx stream: 1, avtp(0, 0)
INFO: avtp_source_element_st:   connected: 0
INFO: avtp_source_element_st:   batch size: 0
INFO: avtp_source_element_st:   underflow: 0, overflow: 0 err: 0 received: 0
```

4.4.4.4.3.4 AVB Talker configuration (Harpoon)

The AVB Talker implemented in Harpoon interfaces with the AVB stack through the GenAVB/TSN API, and supports audio streaming to the network while reading the audio data, through the audio pipeline, from the SAI interfaces.

To enable the AVB Talker on the Harpoon side, perform the following steps:

1. Power on the i.MX board and stop the boot process in U-Boot to fetch the AVB DTB file:

```
=> setenv jh_root_dtb imx8mp-evk-harpoon-avb.dtb
=> run jh_mmcbboot
```

2. Start the audio application using the following command at the Linux prompt:

- On FreeRTOS

```
# harpoon_set_configuration.sh freertos avb
# systemctl start harpoon
```

- On Zephyr

```
# harpoon_set_configuration.sh zephyr avb
# systemctl start harpoon
```

3. Start the AVB pipeline, connecting the SAI input (for example, HiFiBerry board) to the AVTP sink element (stream #0).

- On Multi-SAI boards (i.MX 8M EVKs):

Connect the HiFiBerry board (SAI5) to the AVTP element.

```
# harpoon_ctrl audio -r 4 -a 00:bb:cc:dd:de:ad
# harpoon_ctrl routing -i 1 -o 4 -c
# harpoon_ctrl routing -i 2 -o 5 -c
```

- On Single-SAI boards (i.MX 93 EVK):

Connect the on-board audio jack (SAI3) or to the audio expansion board input jack (using an additional `-H` option in the command).

```
# harpoon_ctrl audio -r 4 -a 00:bb:cc:dd:de:ad # add -H to select the
MX93AUD-HAT
# harpoon_ctrl routing -i 1 -o 2 -c
# harpoon_ctrl routing -i 2 -o 3 -c
```

4. Watch for AVTP sink logs once the stream is connected (see next section):

```
INFO: avtp_sink_element_st: rx stream: 0, avtp(C067ABF0, 0)
INFO: avtp_sink_element_st: connected: 1
INFO: avtp_sink_element_st: batch size: 64
INFO: avtp_sink_element_st: underflow: 459, overflow: 0 err: 0 sent: 208617
INFO: avtp_sink_element_st: rx stream: 1, avtp(0, 0)
INFO: avtp_sink_element_st: connected: 0
INFO: avtp_sink_element_st: batch size: 0
INFO: avtp_sink_element_st: underflow: 0, overflow: 0 err: 0 sent: 0
```

4.4.4.4.3.5 AVDECC controller configuration (Linux)

To enable the usage the command line AVB AVDECC controller, the AVB stack needs to be started as Endpoint AVB. For that, the GenAVB/TSN configuration files needs to be modified as follows:

1. Power on the i.MX board and let the boot process complete

- Configure the GenAVB/TSN stack to Endpoint AVB mode by setting GENAVB_TSN_CONFIG to the right value in the GenAVB/TSN mode configuration file:

```
# vi /etc/genavb/config
```

For i.MX 8M Plus EVK:

```
GENAVB_TSN_CONFIG=2
```

For i.MX 8M Mini EVK:

```
GENAVB_TSN_CONFIG=1
```

- Save and exit the file
- Enable the GenAVB/TSN systemd service to start the stack automatically on next reboot:

```
# systemctl enable genavb-tsn
```

- Reboot the board. The change is saved across reboots, so this has only to be done once.
- Stop in U-Boot and select the AVB device tree blob before booting Linux:

For i.MX 8M Plus EVK:

```
=> setenv fdtfile imx8mp-evk-avb.dtb
=> boot
```

For i.MX 8M Mini EVK:

```
=> setenv fdtfile imx8mm-evk-avb.dtb
=> boot
```

4.4.4.4.3.6 AVB stream connection

This section describes how to use AVDECC events to connect the stream output of the Talker to the stream inputs of the Listeners. To do so, we may use the GenAVB AVDECC controller previously configured:

```
# genavb-controller-app -h
NXP's GenAVB AVDECC controller demo application

Usage:
app [options]

Options:
  -S <control_type> <entity_id> <control_index> <value>   Set a given control to the given
value where control_type                                must be uint8 or utf8 (For utf8:
<value> must be string of max 99 characters)
  -G <control_type> <entity_id> <control_index>           Get a control value where
control_type must be uint8 or utf8
  -l                                                       list discovered AVDECC entities
  -c <talker_entity_id> <talker_unique_id> <listener_entity_id> <listener_unique_id> <flags>
connect a stream between a talker and a listener
  -d <talker_entity_id> <talker_unique_id> <listener_entity_id> <listener_unique_id>
disconnect a stream between a talker and a listener
  -r <listener_entity_id> <listener_unique_id>           Get information about a listener
sink
  -t <talker_entity_id> <talker_unique_id>               Get information about a talker
source
  -s <talker_entity_id> <talker_unique_id> <index>       Get information from a talker about
a given connection/stream
  -T <talker_entity_id> <talker_unique_id> <start|stop>   Send START_STREAMING or
STOP_STREAMING command to a talker
  -L <listener_entity_id> <listener_unique_id> <start|stop>
Send START_STREAMING or
STOP_STREAMING command to a listener
  -h                                                       print this help text
```

First of all, the Talker's entity information can be displayed by using the AVDECC controller application:

```
# genavb-controller-app -l
NXP's GenAVB AVDECC controller demo application
Number of discovered entities: 4
Entity ID = 0x49f05cf720001      Model ID = 0x49f0000080001      Capabilities = 0x8 Association ID =
0x0 MAC address= 00:04:9F:05:CF:72      Local MAC address= 00:04:9F:05:CF:72
  Controller
  Controls:
    None

Entity ID = 0x49f070f840000      Model ID = 0x49f0000090001      Capabilities = 0x708 Association ID =
0x0 MAC address= 00:04:9F:07:0F:84      Local MAC address= 00:04:9F:05:CF:72
  Talker: sources = 8      capabilities = 0x4801
  Stream 0: name =      Stream output 0      interface index = 0      number of formats = 1
flags = 0x6 current_format = 0x0205021800806000 ( AAF 2chans 24/32bits 48000Hz 6samples/packet )
  Stream 1: name =      Stream output 1      interface index = 0      number of formats = 1
flags = 0x6 current_format = 0x0205021800806000 ( AAF 2chans 24/32bits 48000Hz 6samples/packet )
  Stream 2: name =      Stream output 2      interface index = 0      number of formats = 1
flags = 0x6 current_format = 0x0205021800806000 ( AAF 2chans 24/32bits 48000Hz 6samples/packet )
  Stream 3: name =      Stream output 3      interface index = 0      number of formats = 1
flags = 0x6 current_format = 0x0205021800806000 ( AAF 2chans 24/32bits 48000Hz 6samples/packet )
  Stream 4: name =      Stream output 4      interface index = 0      number of formats = 1
flags = 0x6 current_format = 0x0205021800806000 ( AAF 2chans 24/32bits 48000Hz 6samples/packet )
  Stream 5: name =      Stream output 5      interface index = 0      number of formats = 1
flags = 0x6 current_format = 0x0205021800806000 ( AAF 2chans 24/32bits 48000Hz 6samples/packet )
  Stream 6: name =      Stream output 6      interface index = 0      number of formats = 1
flags = 0x6 current_format = 0x0205021800806000 ( AAF 2chans 24/32bits 48000Hz 6samples/packet )
  Stream 7: name =      Stream output 7      interface index = 0      number of formats = 1
flags = 0x6 current_format = 0x0205021800806000 ( AAF 2chans 24/32bits 48000Hz 6samples/packet )
  Listener: sinks = 8      capabilities = 0x4801
  Stream 0: name =      Stream input 0      interface index = 0      number of formats = 1
flags = 0x6 current_format = 0x0205021800806000 ( AAF 2chans 24/32bits 48000Hz 6samples/packet )
  Stream 1: name =      Stream input 1      interface index = 0      number of formats = 1
flags = 0x6 current_format = 0x0205021800806000 ( AAF 2chans 24/32bits 48000Hz 6samples/packet )
  Stream 2: name =      Stream input 2      interface index = 0      number of formats = 1
flags = 0x6 current_format = 0x0205021800806000 ( AAF 2chans 24/32bits 48000Hz 6samples/packet )
  Stream 3: name =      Stream input 3      interface index = 0      number of formats = 1
flags = 0x6 current_format = 0x0205021800806000 ( AAF 2chans 24/32bits 48000Hz 6samples/packet )
  Stream 4: name =      Stream input 4      interface index = 0      number of formats = 1
flags = 0x6 current_format = 0x0205021800806000 ( AAF 2chans 24/32bits 48000Hz 6samples/packet )
  Stream 5: name =      Stream input 5      interface index = 0      number of formats = 1
flags = 0x6 current_format = 0x0205021800806000 ( AAF 2chans 24/32bits 48000Hz 6samples/packet )
  Stream 6: name =      Stream input 6      interface index = 0      number of formats = 1
flags = 0x6 current_format = 0x0205021800806000 ( AAF 2chans 24/32bits 48000Hz 6samples/packet )
  Stream 7: name =      Stream input 7      interface index = 0      number of formats = 1
flags = 0x6 current_format = 0x0205021800806000 ( AAF 2chans 24/32bits 48000Hz 6samples/packet )
  Controls:
    Control 0: name =      Volume Control 0      type = 0x90e0f00000000004      read-only = No
value_type = 1 min = 0 current = 100 max = 100 step = 1

Entity ID = 0x49fddb0000000      Model ID = 0x49ffff000000001      Capabilities = 0x708 Association ID =
0x0 MAC address= 00:BB:CC:DD:BE:EF      Local MAC address= 00:04:9F:05:CF:72
  Talker: sources = 3      capabilities = 0x4801
  Stream 0: name =      Stream output 0      interface index = 0      number of formats = 1
flags = 0x6 current_format = 0x0205021800806000 ( AAF 2chans 24/32bits 48000Hz 6samples/packet )
  Stream 1: name =      Stream output 1      interface index = 0      number of formats = 1
flags = 0x6 current_format = 0x0205021800806000 ( AAF 2chans 24/32bits 48000Hz 6samples/packet )
  Stream 2: name =      Stream output 2      interface index = 0      number of formats = 1
flags = 0x6 current_format = 0x0205021800806000 ( AAF 2chans 24/32bits 48000Hz 6samples/packet )
  Listener: sinks = 3      capabilities = 0x4801
  Stream 0: name =      Stream input 0      interface index = 0      number of formats = 1
flags = 0x6 current_format = 0x0205021800806000 ( AAF 2chans 24/32bits 48000Hz 6samples/packet )
  Stream 1: name =      Stream input 1      interface index = 0      number of formats = 1
flags = 0x6 current_format = 0x0205021800806000 ( AAF 2chans 24/32bits 48000Hz 6samples/packet )
  Stream 2: name =      Stream input 2      interface index = 0      number of formats = 1
flags = 0x6 current_format = 0x0205021800806000 ( AAF 2chans 24/32bits 48000Hz 6samples/packet )
  Controls:
    Control 0: name =      Volume Control 0      type = 0x90e0f00000000004      read-only = No
value_type = 1 min = 0 current = 100 max = 100 step = 1
```


Once the Talker is running, its entity ID can be displayed by using the same tool:

```
Entity ID = 0x49fdddead0000 Model ID = 0x49ffff00000001 Capabilities = 0x708 Association ID =
0x0 MAC address= 00:BB:CC:DD:BE:EF Local MAC address= 00:04:9F:05:CF:72
  Talker: sources = 3 capabilities = 0x4801
    Stream 0: name = Stream output 0 interface index = 0 number of formats = 1
  flags = 0x6 current_format = 0x0205021800806000 ( AAF 2chans 24/32bits 48000Hz 6samples/packet )
    Stream 1: name = Stream output 1 interface index = 0 number of formats = 1
  flags = 0x6 current_format = 0x0205021800806000 ( AAF 2chans 24/32bits 48000Hz 6samples/packet )
    Stream 2: name = Stream output 2 interface index = 0 number of formats = 1
  flags = 0x6 current_format = 0x0205021800806000 ( AAF 2chans 24/32bits 48000Hz 6samples/packet )
  Listener: sinks = 3 capabilities = 0x4801
    Stream 0: name = Stream input 0 interface index = 0 number of formats = 1
  flags = 0x6 current_format = 0x0205021800806000 ( AAF 2chans 24/32bits 48000Hz 6samples/packet )
    Stream 1: name = Stream input 1 interface index = 0 number of formats = 1
  flags = 0x6 current_format = 0x0205021800806000 ( AAF 2chans 24/32bits 48000Hz 6samples/packet )
    Stream 2: name = Stream input 2 interface index = 0 number of formats = 1
  flags = 0x6 current_format = 0x0205021800806000 ( AAF 2chans 24/32bits 48000Hz 6samples/packet )
  Controls:
    Control 0: name = Volume Control 0 type = 0x90e0f00000000004 read-only = No
  value_type = 1 min = 0 current = 100 max = 100 step = 1
```

To connect streams, use the following command:

```
# genavb-controller-app -c <talker_entity_id> <talker_unique_id> <listener_entity_id>
<listener_unique_id> <flag>
```

To disconnect a stream, use the command:

```
# genavb-controller-app -d <talker_entity_id> <talker_unique_id> <listener_entity_id>
<listener_unique_id>
```

In the below example, the Listener's stream #0 is connected to the Talker's stream #0:

```
# genavb-controller-app -c 0x49fdddead0000 0 0x49fddbeef0000 0 0
NXP's GenAVB AVDECC controller demo application
Stream connection successful: stream id = 0xbbccdddead0000 Destination MAC address
91:E0:F0:00:FE:21 flags = 0x0 connection_count = 1 VLAN id = 0
# # If you have another Listener on the network:
# genavb-controller-app -c 0x49fdddead0000 0 0x49fddcafe0000 0 0
NXP's GenAVB AVDECC controller demo application
Stream connection successful: stream id = 0xbbccdddead0000 Destination MAC address
91:E0:F0:00:FE:21 flags = 0x0 connection_count = 1 VLAN id = 0
```

Once the stream is connected, the audio file can be heard on the SAI output lines.

4.4.4.5 Playing an SMP audio pipeline

The use case for SMP audio pipeline is only supported on Zephyr, which runs the SMP kernel on two CPU Cores. It creates and binds one dedicated data thread for each CPU Core.

The main motivation for SMP support is to distribute the CPU load of the pipeline processing across available cores, and thus is able to run pipelines that consume more than one single core CPU resources.

The main approach used is to split the existing pipelines in two pieces, and process them, asynchronously, in different cores/data threads. This allows the two pieces to fully run in parallel, but usually requires a one period increase in the end-to-end latency. For example:

- Before: 1 audio pipeline, running in one core/data thread. Processing period P, with an end-to-end latency of 2 x P.
- After: Pipeline is split into two 2 pipelines. Each runs on a separate core. Explicit synchronization between the two threads/pipelines is avoided by adding an extra buffer of P length between the two pipelines. Processing period is still P, but end-to-end latency is now 3 x P.

This basically models one pipeline as two independent ones:

- The first one has no sink elements. It terminates with output buffers.
- The second one has a specific source element, which implements the extra buffer between pipelines.
- The scheduling of all the thread handling is done based on the same IRQ.

This approach can also be scaled to more CPUs, each time splitting the pipeline into several pieces, each new thread/piece increasing the end-to-end latency by P.

4.4.4.5.1 Playing an SMP full audio pipeline

The reference audio application splits the pipeline used by the "full audio pipeline" use case into two audio data pipelines. Each pipeline runs on a dedicated thread bound to a dedicated CPU Core.

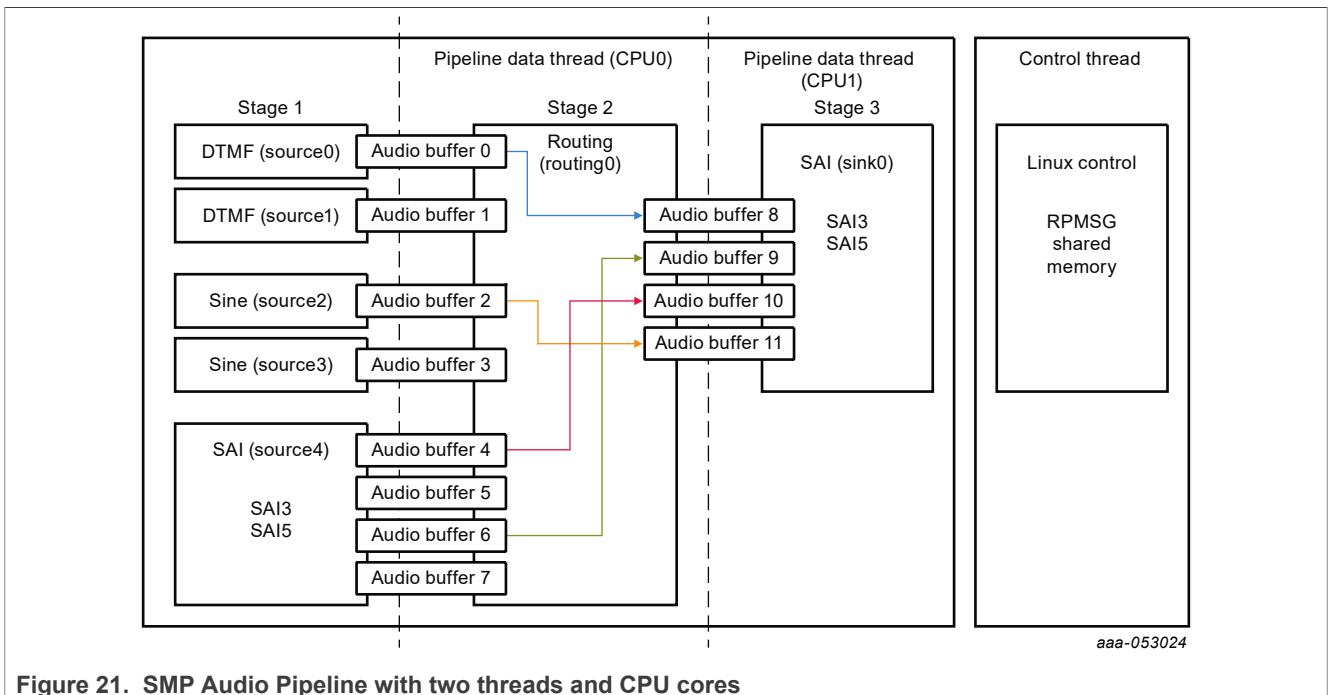


Figure 21. SMP Audio Pipeline with two threads and CPU cores

To run the Zephyr audio SMP pipeline application, run the following command to generate an appropriate configuration file:

```
# harpoon_set_configuration.sh zephyr audio_smp
```

Note: Avoid changing the configuration while the Harpoon service is running (silent failure when restarting the service).

Run the Harpoon service with Systemd to start Jailhouse.

```
# systemctl start harpoon
```

Then use the following command to run audio SMP pipeline testcase:

```
# harpoon_ctrl audio -r 5
```

You can then connect the provided sources to audio outputs:

```
# harpoon_ctrl routing -i 4 -o 2 -c # SAI5's input to SAI3's output (L)
# harpoon_ctrl routing -i 5 -o 3 -c # SAI5's input to SAI3's output (R)
```

To run another audio use case, stop the playback using the following command:

```
# harpoon_ctrl audio -s
```

4.4.4.5.2 Playing an SMP AVB audio pipeline

This pipeline runs with the same constraints as the SMP Full audio pipeline with the addition of the AVB feature. The GenAVB/TSN stack tasks are bound to the CPU Core 0, the AVTP source elements run on the CPU Core 0, and the AVTP Sink elements run on CPU Core 1.

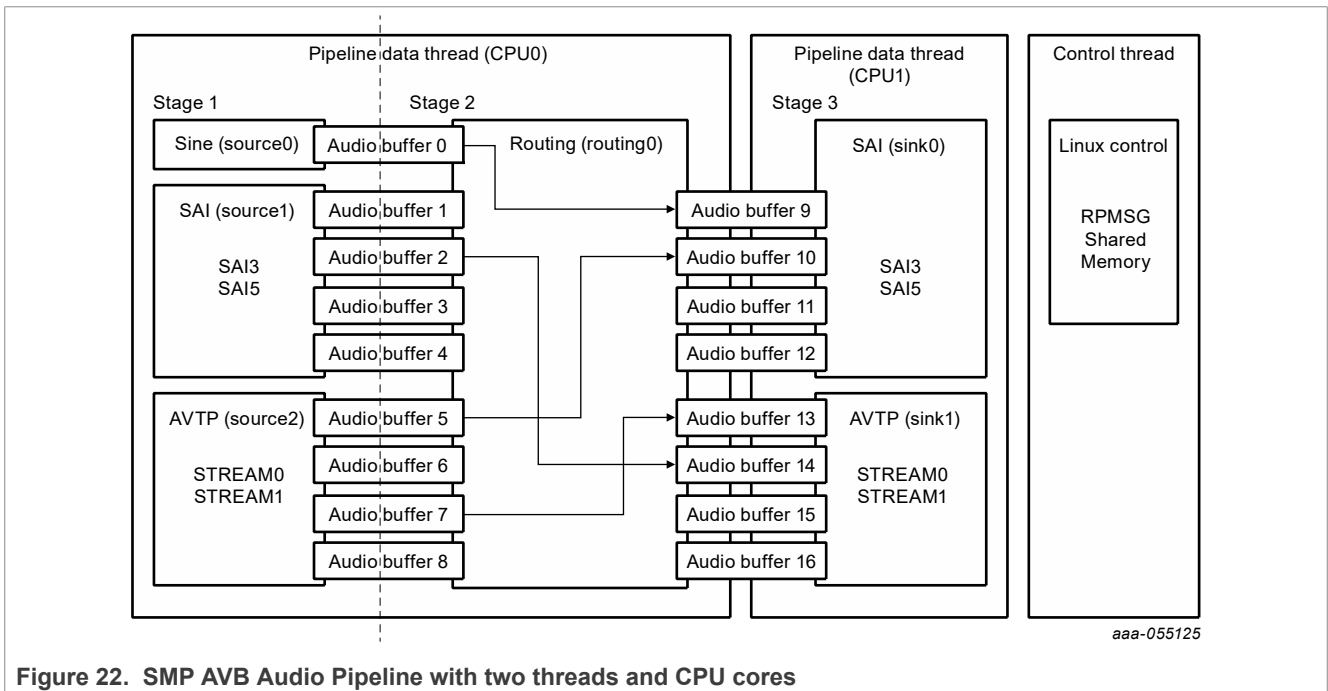


Figure 22. SMP AVB Audio Pipeline with two threads and CPU cores

To run the Zephyr audio AVB SMP pipeline application, run the following command to generate an appropriate configuration file:

```
# harpoon_set_configuration.sh zephyr avb
```

Run the Harpoon service with Systemd to start Jailhouse.

```
# systemctl start harpoon
```

Then use the following command to run the audio AVB SMP pipeline testcase:

```
# harpoon_ctrl audio -r 7
```

Or use the following command to run audio AVB SMP pipeline with Media Clock Recovery testcase:

```
# harpoon_ctrl audio -r 8
```

You can then follow the same steps as described in [Playing an AVB audio Pipeline](#) to connect streams and do the audio routing.

4.5 Industrial application

4.5.1 Features of the industrial application

The industrial application is available in the Harpoon share directory of the root file system:

```
/usr/share/harpoon/inmates/freertos/industrial.bin # FreeRTOS binary
/usr/share/harpoon/inmates/zephyr/industrial.bin   # Zephyr binary
```

The different use cases are:

- FlexCAN-based communication (on i.MX 8M Plus EVK and i.MX93 EVK):
 - Two boards (nodes) are connected through their CAN bus connectors using a proper CAN bus cable. The latter can either be purchased or built following the CAN pinout standard.
 - Each node is configured to handle multiple message buffers. Where a message buffer is either configured for transmit or receive.
 - Both nodes send/receive either CAN or CAN FD messages.
 - Ethernet:
 - Simple MCUXpresso SDK API based application to send and receive packets through the ENET interface:
 - ENET application for FreeRTOS and Zephyr on i.MX 8M Mini/Nano EVK.
 - ENET_QoS application with or without internal loopback for Zephyr on i.MX 8M Plus EVK and i.MX93 EVK.
 - Full TSN stack based application, running a gPTP stack and sending/receiving TSN packets on a TSN network:
 - Through the ENET_QOS interface, acting as a controller/IO device on i.MX 8M Plus EVK and i.MX93 EVK.
 - Through the ENET interface, acting as a controller/IO device on i.MX 8M Mini EVK and i.MX 8M Nano EVK.
- Note:** *The ENET interface does not support 802.1Qbv. Packets are transmitted using basic, software based, strict priority scheduling.*

4.5.2 Starting the industrial application

To use the industrial application, Jailhouse must be started first. To start Jailhouse and the industrial application, create the corresponding Harpoon configuration file and run the harpoon service using `systemd`, for example:

```
harpoon_set_configuration.sh freertos industrial
```

The configuration file is stored under `/etc/harpoon/harpoon.conf` and the Harpoon `systemd` service uses it to start Jailhouse and the industrial application:

```
systemctl start harpoon
```

Once the Harpoon service has been started, `harpoon_ctrl` is used to start or stop the industrial features with optional parameters. The different options for the industrial application are as follows:

```
Industrial FlexCAN options:
  -r <id>          run CAN mode id:
                   0 - Multiple Nodes and Messages Tx+Rx on the imx8mp and
                   the imx93
  -n <node_type>  acting as node 'A' or 'B' (default 'A')
                   0 - node 'A'
                   1 - node 'B'
```

```

-o <protocol> use 'CAN' or 'CAN FD' protocol (default 'CAN')
              0 - protocol is 'CAN'
              1 - protocol is 'CAN FD'
-s           stop FlexCAN based communication

Industrial ethernet options:
-a <mac_addr> set hardware MAC address (default 91:e0:f0:00:fe:70)
-p <period_ns> set processing period in ns (default 100000)
-r <id>       run ethernet mode id:
              0 - genAVB/TSN stack on FreeRTOS
              1 - mcux-sdk API:
                  imx8m{m,n}: ENET on Zephyr and FreeRTOS
                  imx8mp, imx93: ENET_QoS on Zephyr
              2 - mcux-sdk API with PHY loopback mode:
                  imx8mp, imx93: ENET_QoS on Zephyr
-i <role>    for genAVB/TSN: endpoint role (default 'controller', if
not specified)
              0 - role is 'IO device 0'
              1 - role is 'IO device 1'
-s           stop ethernet
    
```

4.5.3 Running the industrial application: examples

4.5.3.1 FlexCAN multiple nodes communication

4.5.3.1.1 Hardware Setup

- On i.MX 8M PLUS EVK: Connection is done through the CAN bus connector (J19) using a male DB9 adapter. The termination resistance should be added adequately.
- On i.MX93 EVK: Connection is done through the CAN bus connectors (J1101). The board has a DIP switch (S1101) to control the termination resistance.

The used cables can be built (or purchased) following the CAN pinout standard. Each pin should be connected to its equivalent signal between two boards:

Table 13. CAN pinouts list

Signal	i.MX 93 J1101 pins	DB9 CAN bus cable pins
CAN_H	Pin 2	Pin 7
CAN_L	Pin 3	Pin 2
GND	Pin 4	Pin 3

4.5.3.1.2 Industrial CAN application overview

The industrial CAN application is configured to perform communication between two nodes. Each node has four message buffers (MB) used equally for transmit and receive (two MBs for transmit and two MBs for receive). The transmission is driven by a periodic timer (currently configured at 1200 us) and reception is driven by frame reception.

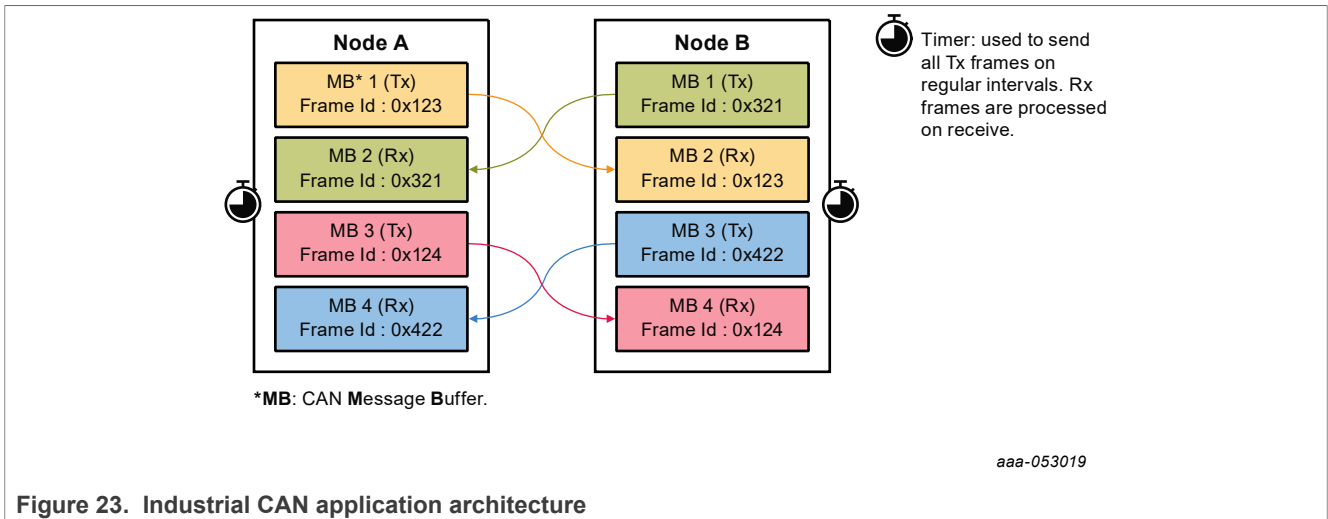


Figure 23. Industrial CAN application architecture

4.5.3.1.3 FlexCAN multiple nodes use case

To start the FlexCAN based communication:

- One board needs to be selected as Node A `-n 0` and the other as Node B `-n 1`.
- Select the same CAN protocol on both nodes: `-o 0` for CAN and `-o 1` for CAN FD. Default is CAN protocol.

On board A, start CAN protocol multiple node use case as Node A:

```
# harpoon_ctrl can -r 0 -n 0
```

On board B, start CAN protocol multiple node use case as Node B:

```
# harpoon_ctrl can -r 0 -n 1
```

Type this command to stop the current use case (mandatory before starting a new use case):

```
# harpoon_ctrl can -s
```

During the execution of the application, reception and transmission logs are dumped on console every 10 seconds.

Industrial CAN application logs example:

• Node A:

```
INFO: can_stats : |Mbit/s: 2|TX period µs: 1200|global irq: 5532306|
INFO: can_stats : |TX mb: 1, id: 123|==>|irq: 1383079|tx: 1383079|busy : 2350|fail: 0|
INFO: can_stats : |RX mb: 2, id: 321|==>|irq: 1383074|rx: 1383074|ovrflw: 0|fail: 0|
INFO: can_stats : |TX mb: 3, id: 124|==>|irq: 1383079|tx: 1383079|busy : 2350|fail: 0|
INFO: can_stats : |RX mb: 4, id: 422|==>|irq: 1383074|rx: 1383074|ovrflw: 0|fail: 0|
```

• Node B:

```
INFO: can_stats : |Mbit/s: 2|TX period µs: 1200|global irq: 5544926|
INFO: can_stats : |TX mb: 1, id: 321|==>|irq: 1389384|tx: 1389384|busy : 0|fail: 0|
INFO: can_stats : |RX mb: 2, id: 123|==>|irq: 1383079|rx: 1383079|ovrflw: 0|fail: 0|
INFO: can_stats : |TX mb: 3, id: 422|==>|irq: 1389384|tx: 1389384|busy : 0|fail: 0|
INFO: can_stats : |RX mb: 4, id: 124|==>|irq: 1383079|rx: 1383079|ovrflw: 0|fail: 0|
```

The definition of the log's key words is as follows:

- `Mbit/s`: bus baudrate. It is set to 2 Mbits/s for the CAN FD and to 1 Mbits/s for the CAN in the application example.
- `TX period μ s`: transmission timer period. In this example it is set to 1200 μ s.
- `global irq`: global interrupts number. One global interruption may signal both RX and TX interruptions at the same time. It is possible that the global IRQ number is lower than the sum of TX and RX interruptions.
- `TX mb`: TX message buffer index.
- `RX mb`: RX message buffer index.
- `id`: frame id.
- `irq`: number of TX or RX interruptions:
 - A TX interruption is triggered when the application manages to send a message to the receiver.
 - An RX interruption is triggered when a message is received.
- `tx` and `rx`: number of reads and writes in the message buffer memory.
- `busy`: number of TX busy operations. It occurs when the application is not able to write another frame, because it is still waiting for the TX interruption from the previous one. This can also happen when the receiver is not in run mode or not configured properly.
- `ovrflw`: number of RX overflows. It occurs when the message buffer is busy and cannot receive the new frame.
- `fail`: number of reads and writes failures. It occurs when the application fails to read or write into message buffer memory.

4.5.3.2 Ethernet through MCUXpresso SDK API

A simple reference use case is given to exchange Ethernet packets using the SDK API.

1. Run the ENET test case on i.MX 8M Mini/Nano EVK.

```
harpoon_ctrl ethernet -r 1
```

One possibility to verify that the use case is functional is to plug an Ethernet cable on the Ethernet connector on one end, and to a Linux host computer on the other end.

The expected output on the inmate cell console is as follows:

```
ENET test start.
ENET: Wait for PHY link up...
ENET: PHY link speed 1000M full-duplex
INFO: ethernet_sdk_enet_stat: not implemented
INFO: cpu_load_stats          : CPU load: 0.00%
ENET test result:
    TX: total = 100; succ = 100; fail = 0
    RX: total = 100; succ = 0; fail = 0; empty = 100
```

To verify that data are successfully received on the host side, use the `tcpdump` tool (sudo permissions may be required):

```
$ tcpdump -i <INTERFACE> -e
tcpdump: verbose output suppressed, use -v or -vv for full protocol decode
listening on enp1s2, link-type EN10MB (Ethernet), capture size 262144 bytes
11:48:40.402104 00:04:9f:06:96:36 (oui Freescale) > 01:80:c2:00:00:0e (oui Unknown),
ethertype LLDP (0x88cc), length 269: LLDP, length 255: imx8mp-lpddr4-evk
11:48:46.648227 00:00:00:00:00:00 (oui Ethernet) > Broadcast, 802.3, length 986: LLC,
dsap Null (0x00) Individual, ssap Null (0x00) Response, ctrl 0x0302: Information,
send seq 1, rcv seq 1, Flags [Final], length 986
0x0000: 0001 0203 0405 0607 0809 0a0b 0c0d 0e0f .....
0x0010: 1011 1213 1415 1617 1819 1a1b 1c1d 1e1f .....
0x0020: 2021 2223 2425 2627 2829 2a2b 2c2d 2e2f .!"#$%&'()*+,-./
0x0030: 3031 3233 3435 3637 3839 3a3b 3c3d 3e3f 0123456789;<=>?
0x0040: 4041 4243 4445 4647 4849 4a4b 4c4d 4e4f @ABCDEFGHIJKLMNO
0x0050: 5051 5253 5455 5657 5859 5a5b 5c5d 5e5f PQRSTUVWXYZ[\]^_
```

```

0x0060: 6061 6263 6465 6667 6869 6a6b 6c6d 6e6f `abcdefghijklmno
0x0070: 7071 7273 7475 7677 7879 7a7b 7c7d 7e7f pqrstuvwxyz{|}~.
0x0080: 8081 8283 8485 8687 8889 8a8b 8c8d 8e8f .....
0x0090: 9091 9293 9495 9697 9899 9a9b 9c9d 9e9f .....
0x00a0: a0a1 a2a3 a4a5 a6a7 a8a9 aaab acad aeaf .....
0x00b0: b0b1 b2b3 b4b5 b6b7 b8b9 babb bcbd bebf .....
0x00c0: c0c1 c2c3 c4c5 c6c7 c8c9 cacb cccd cecf .....
0x00d0: d0d1 d2d3 d4d5 d6d7 d8d9 dadb dcdd dedf .....
0x00e0: e0e1 e2e3 e4e5 e6e7 e8e9 eaeb eced eeef .....
0x00f0: f0f1 f2f3 f4f5 f6f7 f8f9 fafb fcfd fe00 .....
0x0100: 0102 0304 0506 0708 090a 0b0c 0d0e 0f10 .....
0x0110: 1112 1314 1516 1718 191a 1b1c 1dle 1f20 .....
0x0120: 2122 2324 2526 2728 292a 2b2c 2d2e 2f30 !"#$%&'()*+,-./0
0x0130: 3132 3334 3536 3738 393a 3b3c 3d3e 3f40 123456789:;<=>?@
0x0140: 4142 4344 4546 4748 494a 4b4c 4d4e 4f50 ABCDEFGHIJKLMNOP
0x0150: 5152 5354 5556 5758 595a 5b5c 5d5e 5f60 QRSTUVWXYZ[\]^_`
0x0160: 6162 6364 6566 6768 696a 6b6c 6d6e 6f70 abcdefghijklmnop
0x0170: 7172 7374 7576 7778 797a 7b7c 7d7e 7f80 qrstuvwxyz{|}~..
0x0180: 8182 8384 8586 8788 898a 8b8c 8d8e 8f90 .....
0x0190: 9192 9394 9596 9798 999a 9b9c 9d9e 9fa0 .....
0x01a0: a1a2 a3a4 a5a6 a7a8 a9aa abac adae afb0 .....
<snip>

```

2. Run the ENET_QoS test case on i.MX 8M Plus EVK or i.MX 93 EVK:

This use case is only supported on Zephyr.

```
# harpoon_ctrl ethernet -r 1
```

One possibility to verify that the use case is functional is to plug an Ethernet cable on the Ethernet connector on one end, and to a Linux host computer on the other end. Use the `tcpdump` tool on the Linux host to verify that the packets are received correctly.

The expected output on the inmate cell console is as follows:

```

INFO: main_task : Industrial application started!
INFO: industrial_set_hw_addr: 00:bb:cc:dd:ee:14
INFO: enet_qos_init : enet_qos_init
INFO: ethernet_sdk_enet_run :
INFO: ethernet_sdk_enet_run : #####
INFO: ethernet_sdk_enet_run : # #
INFO: ethernet_sdk_enet_run : # enet_qos_app #
INFO: ethernet_sdk_enet_run : # #
INFO: ethernet_sdk_enet_run : #####
INFO: ethernet_sdk_enet_run : Wait for PHY init...
INFO: ethernet_sdk_enet_run : PHY setup was finalized
INFO: ethernet_sdk_enet_run :
30 frames ----> will be sent in 3 queues, and frames will be received in 3
queues.
INFO: ethernet_sdk_enet_run : The frames transmitted from the ring 0, 1, 2 is
10, 10, 10, total 30 frames!
INFO: ethernet_sdk_enet_run : The frames received from the ring 0, 1, 2 is 0,
0, 0, total 0 frames!
INFO: ethernet_sdk_enet_run : ENET QOS TXRX Test Done0

```

3. Run the ENET_QoS Loopback test case on i.MX 8M Plus EVK or i.MX 93 EVK:

This use case is only supported on Zephyr.

```
# harpoon_ctrl ethernet -r 2
```

For this test case, the PHY internal loopback is enabled, so the packets sent out by the ENET_QoS port will be looped back and the port will receive these packets transmitted.

The expected output on the inmate cell console is as follows:

```

INFO: main_task : Industrial application started!
INFO: industrial_set_hw_addr: 00:bb:cc:dd:ee:14

```



```
INFO: enet_qos_init : enet_qos_init
INFO: ethernet_sdk_enet_run :
INFO: ethernet_sdk_enet_run : #####
INFO: ethernet_sdk_enet_run : # #
INFO: ethernet_sdk_enet_run : # enet_qos_app #
INFO: ethernet_sdk_enet_run : # #
INFO: ethernet_sdk_enet_run : #####
INFO: ethernet_sdk_enet_run : Wait for PHY init...
INFO: ethernet_sdk_enet_run : PHY setup was finalized
INFO: ethernet_sdk_enet_run :
30 frames ----> will be sent in 3 queues, and frames will be received in 3
queues.
INFO: ethernet_sdk_enet_run : The frames transmitted from the ring 0, 1, 2 is
10, 10, 10, total 30 frames!
INFO: ethernet_sdk_enet_run : The frames received from the ring 0, 1, 2 is
10, 10, 10, total 30 frames!
INFO: ethernet_sdk_enet_run : ENET QOS TXRX Loopback Test PASSED0
```

4.5.3.3 Ethernet with GenAVB/TSN stack

A more complex Ethernet use case uses the GenAVB/TSN Stack, which provides advanced implementation for AVB as well as Time-Sensitive Networking (TSN) functionalities. Some functions for the latter do require special TSN hardware support, available in the i.MX 8M Plus and i.MX 93 SoCs for instance.

The following sections give some details on the hardware requirements, setup preparation, and test execution.

As far as the Harpoon demonstration goes, the controller (i.MX 8M Plus or i.MX 93) runs in the Cortex-A53/A55 FreeRTOS or Zephyr cell. The IO devices, which can be any TSN endpoint (i.MX 8M Plus, i.MX 93, i.MX RT1170, etc.) and the TSN bridge complete the TSN network environment for this use case.

4.5.3.3.1 Requirements

- Two TSN endpoints (i.MX 8M Plus EVK, i.MX 93 EVK, or optionally an i.MX RT1170 EVK)
- One TSN bridge (LS1028ARDB)

Note: *The second IO Device is optional.*

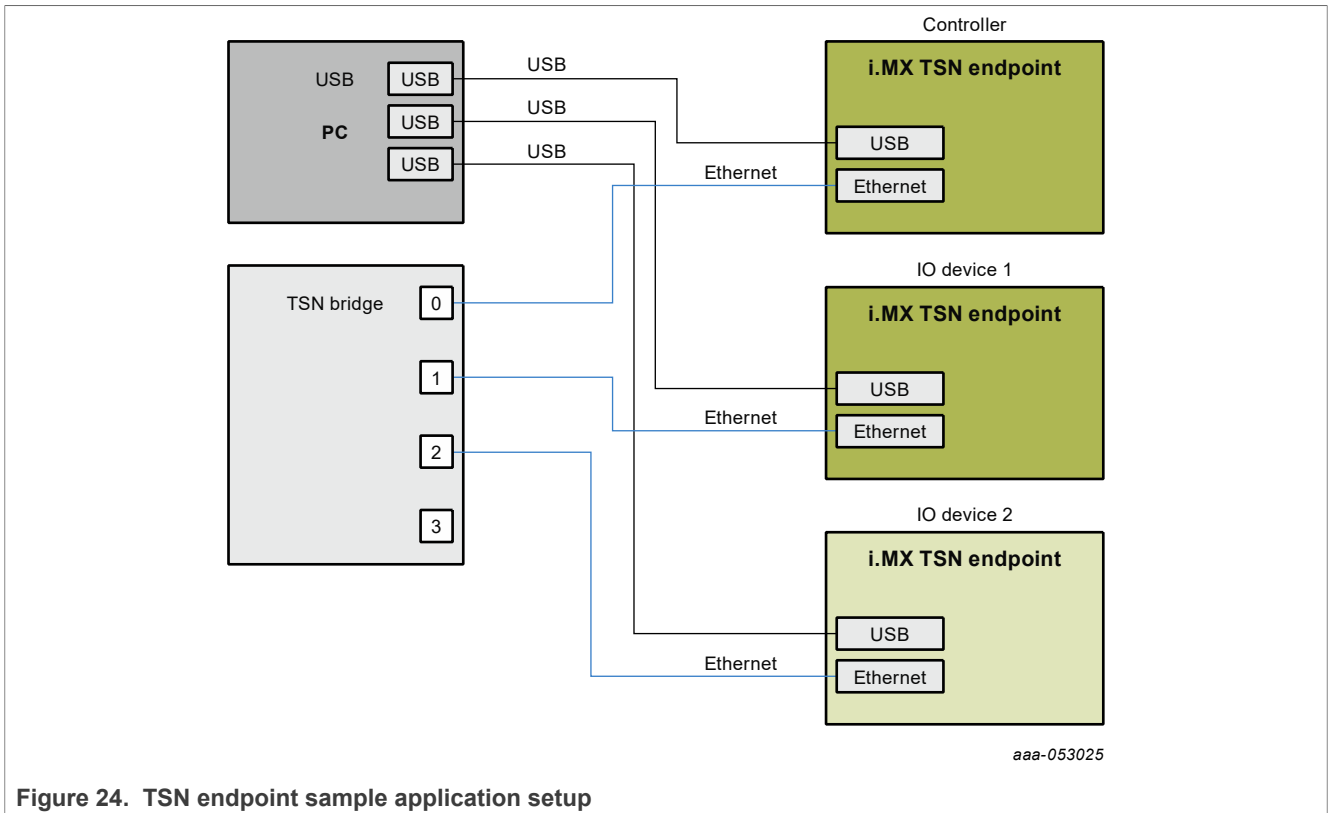


Figure 24. TSN endpoint sample application setup

4.5.3.3.2 Setup preparation

One of the TSN endpoint needs to be configured as “controller” and the other one as “IO device”. Both endpoints are connected to the TSN bridge.

4.5.3.3.2.1 i.MX RT1170 TSN Endpoint - IO Device (Optional)

If using an i.MX RT1170 as the IO device, first flash the latest GenAVB/TSN Endpoint image (<https://mcuxpresso.nxp.com/en/dashboard?download=84124a72b3f5916f99168a06ef287f2f>).

Once the i.MX RT1170 is flashed, press 'insert' and set the following parameters:

```
IO_DEVICE_0>>write tsn_app/role 1
IO_DEVICE_0>>write tsn_app/period_ns 100000
```

Press 'insert' to exit the configuration mode and reboot.

4.5.3.3.2.2 TSN Bridge

LS1028ARDB can be used as a generic time-aware bridge, connected to other time-aware end stations or bridges.

By default, LS1028ARDB does not forward packets if no bridge interface is configured under Linux. Enabling bridge interface is dependent on the board used.

TSN Bridge Configuration

Use the following commands to configure bridge on LS1028ARDB:

```
# ls /sys/bus/pci/devices/0000:00:00.5/net/
```

Get switch device interfaces for swp0, swp1, swp2, and swp3 as shown below:

```
ip link set dev eno2 up
ip link add name br0 type bridge
ip link set br0 up
ip link set master br0 swp0 up
ip link set master br0 swp1 up
ip link set master br0 swp2 up
ip link set master br0 swp3 up
```

Then start gPTP:

```
# tsn.sh start
```

TSN Bridge logging

Logs are stored in `/var/log/tsn-br`.

- Linux command:

```
# tail -f /var/log/tsn-br
```

- The bridge stack statistics are similar to the endpoint stack ones except that they are reported for each of the external ports of the switch (Port 0 to 3) and also for the internal port connected to the endpoint stack (Port 4) in case of Hybrid setup.
- Pdelay* (propagation delay), *Link status*, *AS capability* and *Port Role* are printed for each port.

```
Port(0): domain(0, 0): Role: Master Link: Up asCapable: Yes neighborGtpCapable: Yes
delayMechanism: P2P
Port(0): Propagation delay (ns): 334.29 min 329 avg 333 max 342 variance
17
Port(1): domain(0, 0): Role: Disabled Link: Down asCapable: No neighborGtpCapable: No
delayMechanism: P2P
Port(2): domain(0, 0): Role: Master Link: Up asCapable: Yes neighborGtpCapable: Yes
delayMechanism: P2P
Port(2): Propagation delay (ns): 386.54 min 380 avg 385 max 390 variance
9
Port(3): domain(0, 0): Role: Disabled Link: Down asCapable: No neighborGtpCapable: No
delayMechanism: P2P
Port(4): domain(0, 0): Role: Disabled Link: Down asCapable: No neighborGtpCapable: No
delayMechanism: P2P
```

If a port is not connected, *Link* status takes the value *Down*.

If a port is not capable of communicating a synchronized time, *AS_Capable* status takes the value *No*.

4.5.3.3 Running the TSN use case

To start the Ethernet use case from the inmate cell (acting as a TSN Endpoint - Controller), run the following command:

```
# harpoon_ctrl ethernet -r 0
```

To start the Ethernet use case from the inmate cell (acting as a TSN Endpoint - IO Device), run the following command:

```
# harpoon_ctrl ethernet -r 0 -i 0
```

The expected initialization output in the inmates consoles is:

```
INFO: main_task          : Industrial application started!
INFO: rpmsg_init         : RPMSG init ...
INFO: rpmsg_init         : RPMSG link up
INFO: industrial_set_hw_addr: 00:bb:cc:dd:ee:14
INFO: ethernet_avb_tsn_init : ethernet_avb_tsn_init
INFO: 0 app gavb_stack_init : talker_entity_id 0x0000000000000000
INIT 0.000000000 os genavb_init : NXP's GenAVB/TSN stack version
dev-d71ce4fc

[...]

INIT 0.000000000 os phy_task : started
INIT 0.000000000 os net_tx_task : networking(C0624B70) tx task
started
INIT 0.000000000 os net_rx_task : networking(C0624850) rx task
started
INIT 0.000000000 os net_task_init : networking started
INIT 0.000000000 os management_task : management task started
INIT 0.000000000 os management_task : started
INIT 0.000000000 os management_task_init : management main completed
INIT 0.000000000 os gptp_task : gptp task started
INIT 0.006209075 os gptp_task_init : gptp main completed
INIT 0.006209075 os srp_task : srp task started
INIT 0.006209075 os srp_task : started
INIT 0.006209075 os srp_task_init : srp main completed

[...]

INFO: ethernet_avb_tsn_run : tsn_app config
INFO: ethernet_avb_tsn_run : mode : NETWORK_ONLY
INFO: ethernet_avb_tsn_run : role : 0
INFO: ethernet_avb_tsn_run : num_io_devices : 1
INFO: ethernet_avb_tsn_run : motor_offset : 0
INFO: ethernet_avb_tsn_run : control_strategy : 0
INFO: ethernet_avb_tsn_run : app period : 100000
INFO: ethernet_avb_tsn_run : BUILD_MOTOR disabled, MOTOR_NETWORK and MOTOR_LOCAL modes cannot be
used
```

After a few seconds, TSN Endpoints should be synchronized through gPTP and exchanging packets at the rate of 10000 packets per second. To observe this behavior, check the logs. If an endpoint has gPTP running correctly, the following log should appear:

```
Port(0): domain(0, 0): Role: Slave Link: Up asCapable: Yes
neighborGptpCapable: Yes delayMechanism: P2P
Port(0): Propagation delay (ns): 340.13 min 331 avg 339 max 347
variance 25
```

If the endpoint is grand master, the role field should be "Master"; otherwise, it should be "Slave". If the application socket is correctly receiving packets, "link up" should be shown.

```
socket_stats_print : link up
```

Between two appearances of the following log, the number represented by XXXXX should be incremented by 50000 (10000 pps for 5 seconds):

```
socket_stats_print : cyclic rx socket(C0605A80) net_sock(C0666820) peer
id: 1
socket_stats_print : valid frames : XXXXX
```

```
socket_stats_print      : err id      : 0
socket_stats_print      : err ts      : XXXXXX
socket_stats_print      : err underflow : XXXXXX
```

To stop the Ethernet use case (to eventually restart it), the previous commands must be stopped with the following command:

```
# harpoon_ctrl ethernet -s
```

4.6 rt_latency application

The `rt_latency` application is a simple benchmark application for real-time OS that measures the latency (Time delta, in nanoseconds) between hardware IRQ events and software actions:

- `irq delay`: time to enter in the software IRQ handler after a hardware IRQ occurs (hardware + hypervisor + IRQ vector latency)
- `irq to sched`: time to enter in an RTOS task, scheduled by the IRQ handler (`irq delay` + RTOS scheduler)

All measurements are done using a hardware timer (GPT on i.MX 8M or TPM on i.MX 93) and relative to the hardware IRQ event time, with sub-microsecond precision.

Since Harpoon 2.4, the timer sampling frequency has been increased to better reflect real-time constraints: The hardware timer is now scheduled every **100 us**.

When running, the `rt_latency` application prints regular statistics, based on the measurements taken, to help characterize the system real-time latency.

The `rt_latency` application is available in the Harpoon share directory of the root file system:

```
/usr/share/harpoon/inmates/freertos/rt_latency.bin # FreeRTOS binary
/usr/share/harpoon/inmates/zephyr/rt_latency.bin   # Zephyr binary
```

To use the `rt_latency` application, Jailhouse must be started first. To start Jailhouse and the `rt_latency` application, create an appropriate Harpoon configuration file and run the Harpoon service with `systemd`. For instance:

```
# harpoon_set_configuration.sh freertos latency
```

```
# systemctl start harpoon
```

The Harpoon service uses the `/etc/harpoon/harpoon.conf` configuration file that contains the RTOS and the application to run. By default, the configuration file points to the FreeRTOS audio application. To run the `rt_latency` application, we have generated a corresponding configuration file. This step needs to be run only once.

Once the Harpoon service has been started, the following `rt_latency` trace is shown in the terminal emulator connected to the other serial port:

```
Harpoon v3.0.0
main_task: running
```

After booting, the `rt_latency` application waits for commands to be received. A list of available commands is shown using the command `harpoon_ctrl`:

```
# harpoon_ctrl -h
```

The usage for the `rt_latency` application is shown:

```
Latency options:
  -r <id>          run latency test case id
  -s              stop running test case
```

Examples:

To stop the `rt_latency` application's current test case:

```
# harpoon_ctrl latency -s
```

To run a test case:

It is possible to engage some CPU load and/or IRQ load to measure their impact on the latency. To do so, different test cases (TC) can be executed, by specifying the test case ID with the “-r” option:

```
# harpoon_ctrl latency -r <TC_ID>
```

TC_ID:

- 1: no extra load
- 2: extra CPU load (low-priority task, executing busy loop and consuming all available CPU time)
- 3: extra IRQ load
- 4: extra CPU load + semaphore load
- 5: extra CPU load + Linux load (not provided by the test case)
- 6: extra CPU load + cache flush (instruction cache only for this release)

To execute test case 1:

```
# harpoon_ctrl latency -r 1
```

When running, latency statistics are printed every 10 seconds:

```
---
INFO: start_test_case      : Running test case 1:
INFO: benchmark_task      : running
INFO: stats_print         : stats(C0601B30) irq delay (ns) min 625 mean 792 max 3625
  rms^2 629985 stddev^2 1510 absmin 625 absmax 3625

INFO: hist_print          : n_slot 21 slot_size 1000
INFO: hist_print          : 99890 76 22 12 0 0 0 0 0 0 0 0 0 0 0 0 0 0 0 0 0 0
INFO: stats_print         : stats(C0601F90) irq to sched (ns) min 2583 mean 2587 max
  8291 rms^2 6702537 stddev^2 6329 absmin 2583 absmax 8291

INFO: hist_print          : n_slot 21 slot_size 1000
INFO: hist_print          : 0 0 99673 233 68 24 1 0 1 0 0 0 0 0 0 0 0 0 0 0 0 0
INFO: print_stats         : late alarm scheduling: 0
```

Both the `irq delay` and the `irq to sched` statistics are shown:

- `min/mean/max`: minimum, average and maximum latency value measured within the last period of time
- `absmin/absmax`: minimum and maximum latency value measured since the beginning of the test
- A histogram is also shown to give an idea of repartition of the measured latency values

Table 14. Real-time latencies measured on i.MX 93/FreeRTOS (in ns)

Description	i.MX 93 IRQ Latency (ns)				i.MX 93 Task Latency (ns)			
	Min	Average	Max	Stddev	Min	Average	Max	Stddev
No system load	583	708	1,375	50	1,875	1,889	3,291	491
Low priority task CPU load	583	708	1,250	47	1,833	1,875	3,250	102
Low priority IRQ load	583	795	1,375	890	8,166	9,466	10,708	1,258
Low priority task CPU load, mutex	541	708	1,791	49	1,833	1,889	3,500	471
Linux CPU + memory load	541	708	1,250	50	1,833	1,875	3,250	168
RTOS cold cache	541	708	1,666	83	1,833	1,875	4,375	303

Table 15. Real-time latencies measured on i.MX 8M Plus/FreeRTOS (in ns)

Test description	i.MX 8M Plus IRQ Latency (ns)				i.MX 8M Plus Task Latency (ns)			
	Min	Average	Max	Stddev	Min	Average	Max	Stddev
No system load	541	752	4,500	2,406	2,458	2,481	9,625	13,028
Low priority task CPU load	541	748	4,708	2,102	2,416	2,474	9,958	4,961
Low priority IRQ load	8,083	11,065	16,500	8,489	9,958	12,819	20,583	15,423
Low priority task CPU load, mutex	541	751	4,708	1,816	2,458	2,477	9,833	7,418
Linux CPU + memory load	541	748	4,791	1,750	2,416	2,476	9,625	9,828
RTOS cold cache	541	748	5,375	4,868	2,416	2,477	11,500	20,097

Table 16. Real-time latencies measured on i.MX 93/Zephyr (in ns)

Description	i.MX 93 IRQ Latency (ns)				i.MX 93 Task Latency (ns)			
	Min	Average	Max	Stddev	Min	Average	Max	Stddev
No system load	583	708	1,375	50	1,875	1,889	3,291	491
Low priority task CPU load	583	708	1,250	47	1,833	1,875	3,250	102
Low priority IRQ load	583	795	1,375	890	8,166	9,466	10,708	1,258
Low priority task CPU load, mutex	541	708	1,791	49	1,833	1,889	3,500	471

Table 16. Real-time latencies measured on i.MX 93/Zephyr (in ns)...continued

Description	i.MX 93 IRQ Latency (ns)				i.MX 93 Task Latency (ns)			
	Min	Average	Max	Stddev	Min	Average	Max	Stddev
Linux CPU + memory load	541	708	1,250	50	1,833	1,875	3,250	168
RTOS cold cache	541	708	1,666	83	1,833	1,875	4,375	303

Table 17. Real-time latencies measured on i.MX 8M Plus/Zephyr (in ns)

Description	i.MX 8M Plus IRQ Latency (ns)				i.MX 8M Plus Task Latency (ns)			
	Min	Average	Max	Stddev	Min	Average	Max	Stddev
No system load	625	796	11,125	1,798	2,583	2,671	13,041	6,045
Low priority task CPU load	583	796	3,750	2,531	2,583	2,668	7,666	6,541
Low priority IRQ load	583	958	4,083	3,358	8,791	11,542	20,333	24,762
Low priority task CPU load, mutex	625	797	3,875	2,752	2,583	2,672	7,666	7,122
Linux CPU + memory load	625	798	4,250	4,674	2,583	2,670	14,333	10,407
RTOS cold cache	625	801	6,833	13,743	2,583	2,673	8,708	21,046

4.7 Virtio Networking application

4.7.1 Features of the Virtio Networking application

The `virtio_net` application is available in the Harpoon share directory of the root file system:

```
/usr/share/harpoon/inmates/freertos/virtio_net.bin # FreeRTOS binary
```

Note: In the current release, the `virtio_net` application is only supported under FreeRTOS on i.MX 8M Mini EVK, i.MX 8M Plus EVK or i.MX 93 EVK for Yocto Real-time Edge SW (i.MX BSP Yocto not supported).

This application starts a Virtio networking back end on Jailhouse inmate cell. Linux OS runs Virtio networking front end, which provides a virtual network interface. The back end owns physical ENET port and shares with the front end by using Virtio communication between the front end and back end.

4.7.2 Running the Virtio Networking application

To use the `virtio_net` application, Jailhouse must be started first. To start Jailhouse and the Virtio Networking application, create the corresponding Harpoon configuration file and run the Harpoon service using `systemd`, for example:

```
# harpoon_set_configuration.sh freertos virtio_net
```

Note: Avoid changing the configuration while the Harpoon service is running (silent failure when restarting the service).

The configuration file is stored under `/etc/harpoon/harpoon.conf` and the Harpoon systemd service uses it to start Jailhouse and the Virtio Networking application:

```
# systemctl start harpoon
```

When the Harpoon service has been started, `virtio_net` back end application is started with the following login console of inmate cell:

```
Starting Virtio networking backend...
virtio network device initialization succeed!
Switch enabled with enet remote port succeed!
ENET: PHY link is up with speed 1000M full-duplexx
```

Then in Linux console of root cell, use `ifconfig` and `ethtool` to check whether virtual networking interface is available. The driver used by virtual networking interface is "virtio_net", so from the following log, "eth1" is Virtio virtual networking interface.

```
root@imx8mm-lpddr4-evk:~# ifconfig
eth0: flags=4163<UP,BROADCAST,RUNNING,MULTICAST> mtu 16384
    ether fa:6f:22:ce:31:6b txqueuelen 1000 (Ethernet)
    RX packets 0 bytes 0 (0.0 B)
    RX errors 0 dropped 0 overruns 0 frame 0
    TX packets 0 bytes 0 (0.0 B)
    TX errors 0 dropped 0 overruns 0 carrier 0 collisions 0

eth1: flags=4163<UP,BROADCAST,RUNNING,MULTICAST> mtu 1500
    inet 10.193.20.30 netmask 255.255.255.0 broadcast 10.193.20.255
    inet6 fe80::201:2ff:fe03:405 prefixlen 64 scopeid 0x20<link>
    ether 00:04:9f:00:01:02 txqueuelen 1000 (Ethernet)
    RX packets 17 bytes 3897 (3.8 KiB)
    RX errors 0 dropped 0 overruns 0 frame 0
    TX packets 41 bytes 7309 (7.1 KiB)
    TX errors 0 dropped 0 overruns 0 carrier 0 collisions 0

lo: flags=73<UP,LOOPBACK,RUNNING> mtu 65536
    inet 127.0.0.1 netmask 255.0.0.0
    inet6 ::1 prefixlen 128 scopeid 0x10<host>
    loop txqueuelen 1000 (Local Loopback)
    RX packets 99 bytes 8926 (8.7 KiB)
    RX errors 0 dropped 0 overruns 0 frame 0
    TX packets 99 bytes 8926 (8.7 KiB)
    TX errors 0 dropped 0 overruns 0 carrier 0 collisions 0

root@imx8mm-lpddr4-evk:~# ethtool -i eth1
driver: virtio_net
version: 1.0.0
firmware-version:
expansion-rom-version:
bus-info: b8400000.virtio_net
supports-statistics: yes
supports-test: no
supports-EEPROM-access: no
supports-register-dump: no
supports-priv-flags: no
```

If the interface is connected to a DHCP service, it gets the IP address by DHCP. Otherwise, set the IP address by using the `ifconfig` command.

Then use the `ping` command to check whether the virtual networking interface works or not.

```
root@imx8mm-lpddr4-evk:~# ping 10.193.20.18
PING 10.193.20.18 (10.193.20.18) 56(84) bytes of data.
64 bytes from 10.193.20.18: icmp_seq=1 ttl=64 time=3.65 ms
64 bytes from 10.193.20.18: icmp_seq=2 ttl=64 time=1.83 ms
64 bytes from 10.193.20.18: icmp_seq=3 ttl=64 time=1.84 ms
64 bytes from 10.193.20.18: icmp_seq=4 ttl=64 time=1.83 ms
64 bytes from 10.193.20.18: icmp_seq=5 ttl=64 time=1.84 ms
64 bytes from 10.193.20.18: icmp_seq=6 ttl=64 time=1.84 ms
```

Use the following command to change the MAC address of `virtio_net`:

```
root@imx8mm-lpddr4-evk:~# ifconfig eth1 hw ether 00:04:9f:00:01:03
```

5 Known Issues

Table 18. Known issues

ID	Description	Workarounds
HRPN-245	Linux cannot access eMMC.	Store the root file system on SD card or NFS.
HRPN-448	RTOS crashes on Ethernet TSN use case stress restarts.	Restart the Jailhouse cell.
HRPN-483	Audio glitches on all boards for combination of high frequency and low frame size.	Do not use combinations of the following parameters: <ul style="list-style-type: none"> • Frame size: 2, 4 • Frequency: 176.4 kHz, 192 kHz
HRPN-632	Occurrences of command timeout for frame size 2 for Audio SMP pipeline.	-
HRPN-739	Changing the MAC address after restarting the Audio application does not change the AVB Entity ID and may lead to spurious crashes with third-party AVDECC controller.	Restart the Harpoon service.
HRPN-1043	i.MX 8M Plus: Lower audio volume for on-board Jack when restarting the application after first execution post-boot.	-
HRPN-872/873	When running Audio SMP, you may run into instabilities: for combination of high frequency and low frame size, you might have audio sample drop.	-
HRPN-895	i.MX 8M (FreeRTOS): AVB streaming: spurious and short PTP synchronization loss on long runs.	-
HRPN-1092	Unexpected exception on FreeRTOS audio application compiled with ARM GCC 12.2.Rel1 Toolchain.	Using ARM GCC 10.3 Toolchain.

6 Technical Details on Harpoon Applications

6.1 Description

Harpoon reference applications are embedded in a repository named [harpoon-apps](#).

Several RTOS applications are embedded in this repository, which may run in Jailhouse cells, based on an RTOS (currently using FreeRTOS and Zephyr) and leveraging the MCUXpresso SDK. As a consequence, [FreeRTOS-Kernel](#), [CMSIS_5](#), and [mcux-sdk](#) repositories are required to build FreeRTOS-based applications,

and [zephyr](#) and [hal_nxp](#) repositories are required to build Zephyr-based applications. Additionally, repositories [GenAVB_TSN](#) and [rtos-abstraction-layer](#) are needed to build the industrial and audio applications. The `west` tool is used to fetch those repositories, along with the `harpoon-apps` Git tree.

To manage Linux - RTOS communication, a control application running in the Linux root cell is used. This application is to be compiled with the Yocto toolchain.

The next section explains how to build binaries (RTOS application and Linux control application).

Related information

<https://docs.zephyrproject.org/latest/guides/west/index.html>

6.2 Manual build

6.2.1 Setting up the environment

Both `git` and `west` should be installed to fetch the source code for Harpoon-apps, FreeRTOS, Zephyr, MCUXpresso SDK, etc.:

```
$ west init -m https://github.com/NXP/harpoon-apps --mr harpoon_3.0.0 hww
$ cd hww
$ west update
```

6.2.2 Building the RTOS application for the RTOS cell

6.2.2.1 Building FreeRTOS based applications

FreeRTOS applications for Armv8-A must be compiled with a compatible toolchain.

The reference toolchain is the GNU Arm cross-toolchain for the A-profile cores GCC 10.3-2021.07.

To download the toolchain and install it:

```
$ wget https://developer.arm.com/-/media/Files/downloads/gnu-a/10.3-2021.07/
binrel/gcc-arm-10.3-2021.07-x86_64-aarch64-none-elf.tar.xz
tar -C /opt/ -xvf gcc-arm-10.3-2021.07-x86_64-aarch64-none-elf.tar.xz
```

If starting from a fresh console, the cross-compiler variable must be set:

```
$ export ARMGCC_DIR=/opt/gcc-arm-10.3-2021.07-x86_64-aarch64-none-elf/
```

Then build an RTOS application:

```
$ cd harpoon-apps/<RTOS_APP>/freertos/boards/<BOARD>/armgcc_aarch64
$ ./build_dds_release.sh
```

Where:

- `RTOS_APP` is `hello_world`, `audio`, `industrial`, `rt_latency` or `virtio_net`.
- `BOARD` is `evkmimx8mm` for i.MX 8M Mini, `evkmimx8mn` for i.MX 8M Nano, `evkmimx8mp` for i.MX 8M Plus, `mcimx93evk` for i.MX 93 EVK.
- Build artefacts are available in the directory `dds_release/`.
- The artefact to be used on target is the RTOS application binary: `<RTOS_APP>.bin`.

6.2.2.2 Building Zephyr based applications

Install cross-compile toolchain first, then set the cross-compile environment and the zephyr kernel directory variable:

```
$ export ARMGCC_DIR=/opt/gcc-arm-10.3-2021.07-x86_64-aarch64-none-elf/  
$ export Zephyr_DIR=/path/to/hww/zephyr
```

Then build a Single Core Zephyr application

```
$ cd harpoon-apps/<RTOS_APP>/zephyr/boards/<BOARD>/armgcc_aarch64  
$ ./build_singlecore.sh
```

Or build an SMP Zephyr application

```
$ cd harpoon-apps/<RTOS_APP>/zephyr/boards/<BOARD>/armgcc_aarch64  
$ ./build_smp.sh
```

Where,

- **RTOS_APP** is `hello_world`, `audio`, `industrial`, or `rt_latency`.
- **BOARD** is `evkmimx8mm` for i.MX 8M Mini, `evkmimx8mn` for i.MX 8M Nano, and `evkmimx8mp` for i.MX 8M Plus, `mcimx93evk` for i.MX 93 EVK.
- Build artefacts are available in the directory `build_singlecore/zephyr/` or `build_smp/zephyr/`.
- The artefact to be used on target is the RTOS application binary: `<RTOS_APP>.bin` for singlecore application or `<RTOS_APP>_smp.bin` for SMP application.

6.2.3 Building the Linux control application for the root cell

The Linux control application for Armv8-A must be compiled with a compatible toolchain.

The reference toolchain is the Poky Arm cross-toolchain built with Yocto.

To generate this toolchain:

```
$ bitbake meta-toolchain
```

This generates a toolchain installer in directory `tmp/deploy/sdk`. The installer name depends on the `DISTRO` and `MACHINE` variables and on the image name of the current build. For instance, for an i.MX build, the installer name is `fsl-imx-xwayland-glibc-x86_64-meta-toolchain-armv8a-imx8mm-lpddr4-evk-toolchain-6.1-mickledore.sh`.

When executed, the installer prompts for a directory where to put the toolchain. The default location for the i.MX toolchain is `/opt/fsl-imx-xwayland/6.1-mickledore`.

When the toolchain is installed, different cross-compile variables must be set. This is done by sourcing script `environment-setup-cortexa53-crypto-poky-linux`. For example with default installation path:

```
$ . /opt/fsl-imx-xwayland/6.1-mickledore/environment-setup-armv8a-poky-linux
```

The Harpoon control application can then be built:

```
$ cd harpoon-apps/ctrl  
$ ./build_ctrl.sh
```

The build generates one binary: `harpoon_ctrl` in the same directory and can be used on target.

The Linux root cell uses the Remote Processor Messaging (RPMsg) device to communicate with FreeRTOS and Zephyr inmate cells. `harpoon_ctrl` binary implements this device, and should be used to communicate with RTOS cells.

6.3 Developing a Harpoon Application

Harpoon-apps is the basis to create a Harpoon application. It links with (at least) MCUXpresso drivers and an RTOS (FreeRTOS and Zephyr).

A Harpoon application has its own directory in the root folder of the Harpoon-apps repository. Examples include `audio`, the audio reference application, `industrial`, the industrial reference application and `rt_latency`, the real-time benchmark application.

6.3.1 Architecture of the audio application

The audio application, which serves as an example for this chapter, has the following architecture.

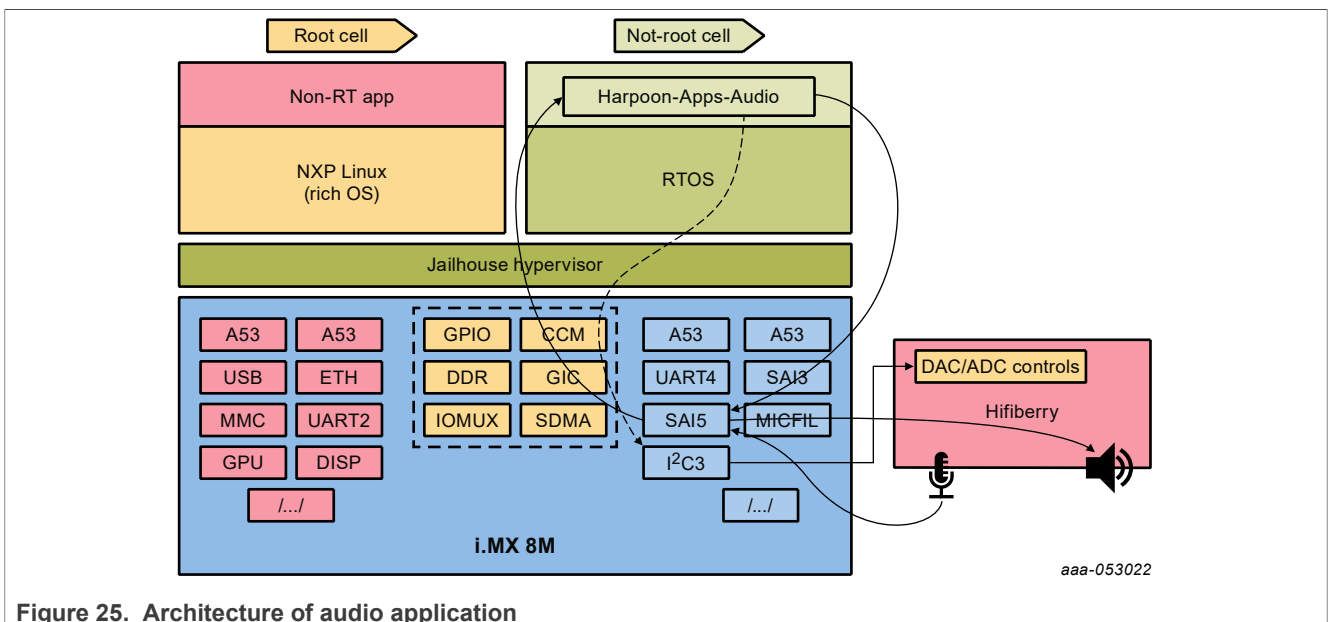


Figure 25. Architecture of audio application

The DAC and ADC on the HiFiBerry card are controlled by the audio application. Control is done through I2C3 and data throughput through SAI5.

6.3.2 Source file creation

This chapter gives some information on how to develop an application for Harpoon by using the `audio` application as an example.

First, the application directory must be created in the root directory of repository `harpoon-apps`.

This directory contains the source code for the application, a CMake configuration file listing the files to be compiled. Source file can be common to all RTOS and platform, be RTOS dependent and/or platform dependent. Helper scripts are provided to build the application for each RTOS/platform combination.

```

audio/
├── common
│   ├── audio.c
│   ├── audio.h
│   └── audio_buffer.c

```

```

— audio_buffer.h
— audio_element.c
— audio_element.h
— audio_element_avtp_sink.c
— audio_element_avtp_sink.h
— audio_element_avtp_source.c
— audio_element_avtp_source.h
— audio_element_dtmf.c
— audio_element_dtmf.h
— audio_element_pll.c
— audio_element_pll.h
— audio_element_routing.c
— audio_element_routing.h
— audio_element_sai_sink.c
— audio_element_sai_sink.h
— audio_element_sai_source.c
— audio_element_sai_source.h
— audio_element_sine.c
— audio_element_sine.h
— audio_entry.h
— audio_format.h
— audio_pipeline.c
— audio_pipeline.h
— avb_config.c
— boards
  — evkmimx8mm
    — app_board.h
    — avb_hardware.c
    — clock_config.c
    — codec_config.c
    — pin_mux.c
    — sai_clock_config.c
    — sai_config.c
  — evkmimx8mn
    [...]
  — evkmimx8mp
    [...]
  — include
    — avb_hardware.h
    — clock_config.h
    — codec_config.h
    — pin_mux.h
    — sai_clock_config.h
    — sai_config.h
— pipeline_config.c
— play_pipeline.c
— sai_drv.c
— sai_drv.h
— freertos
  — boards
    — evkmimx8mm
      — app_mmu.h
      — armgcc_aarch64
        — CMakeLists.txt
        — build_ddr_debug.sh
        — build_ddr_release.sh
        — clean.sh
    — evkmimx8mn
      [...]
    — evkmimx8mp

```

```

[...]
├── main.c
├── zephyr
│   ├── CMakeLists.txt
│   └── boards
│       ├── evkmimx8mm
│       │   └── armgcc_aarch64
│       │       ├── build_singlecore.sh
│       │       ├── build_smp.sh
│       │       └── clean.sh
│       ├── evkmimx8mn
│       │   └── [...]
│       ├── evkmimx8mp
│       │   └── [...]
│       ├── mimx8mm_evk_a53.conf
│       ├── mimx8mm_evk_a53_smp.conf
│       ├── mimx8mn_evk_a53.conf
│       ├── mimx8mn_evk_a53_smp.conf
│       ├── mimx8mp_evk_a53.conf
│       └── mimx8mp_evk_a53_smp.conf
├── main.c
└── prj.conf
    
```

The application starts in function `main()`, defined in file `main.c`.

RTOS specific code goes to directory `audio/freertos` and `audio/zephyr`.

Board specific code (clock configuration, hardware description, MMU configuration) goes to directory `audio/<rtos>/boards/<boardid>` and `audio/boards/<boardid>`.

OS-agnostic code goes to directory `audio/common`.

6.3.3 Board specific code

Board specific code and header files for the audio application include:

Table 19. Board specific code

<code>app_board.h</code>	Definition of SAI and I2C instances used for the demo. I2C addresses of HiFiBerry's DAC and ADC. SAI configuration. Audio samples format.
<code>app_mmu.h</code>	Device memory to map with MMU (includes SAI and I2C).
<code>sai_clock_config.c</code>	Configuration of Audio PLLs, Audiomix (for i.MX 8M Plus) and SAI clocks.
<code>sai_config.c</code>	Define configuration of each SAI instance.
<code>codec_config.c</code>	Helper functions to open, configure and close DAC and ADC drivers.
<code>pin_mux.c</code>	Functions to set IOMUX for the application use case.
<code>CMakeLists.txt</code>	CMake configuration file that includes all necessary MCUXpresso drivers.
<code>flags.cmake</code>	CFLAGS and LDFLAGS definitions for building the application.

6.3.4 Controlling application from Linux side

Linux side can control the Harpoon application by sending messages through the RPMsg communication channel.

The audio application leverages this in function `audio_control_init()`, defined in `audio/common/audio.c`.

For RPMsg channel, RTOS creates a RPMsg endpoint with service name "rpmsg-raw" for communication:

```
audio_ctx->ctrl.ept = rpmsg_transport_init(RL_BOARD_RPMSG_LINK_ID, EPT_ADDR,
"rpmsg-raw");
```

Finally, the application's main thread periodically looks for incoming control messages:

```
do {
    audio_command_handler(&ctx);
    [...]
} while (1);
```

The Linux user space application that sends control messages is located in the directory `ctrl` of the `harpoon-apps` repository.

7 Note About the Source Code in the Document

Example code shown in this document has the following copyright and BSD-3-Clause license:

Copyright 2024 NXP Redistribution and use in source and binary forms, with or without modification, are permitted provided that the following conditions are met:

1. Redistributions of source code must retain the above copyright notice, this list of conditions and the following disclaimer.
2. Redistributions in binary form must reproduce the above copyright notice, this list of conditions and the following disclaimer in the documentation and/or other materials provided with the distribution.
3. Neither the name of the copyright holder nor the names of its contributors may be used to endorse or promote products derived from this software without specific prior written permission.

THIS SOFTWARE IS PROVIDED BY THE COPYRIGHT HOLDERS AND CONTRIBUTORS "AS IS" AND ANY EXPRESS OR IMPLIED WARRANTIES, INCLUDING, BUT NOT LIMITED TO, THE IMPLIED WARRANTIES OF MERCHANTABILITY AND FITNESS FOR A PARTICULAR PURPOSE ARE DISCLAIMED. IN NO EVENT SHALL THE COPYRIGHT HOLDER OR CONTRIBUTORS BE LIABLE FOR ANY DIRECT, INDIRECT, INCIDENTAL, SPECIAL, EXEMPLARY, OR CONSEQUENTIAL DAMAGES (INCLUDING, BUT NOT LIMITED TO, PROCUREMENT OF SUBSTITUTE GOODS OR SERVICES; LOSS OF USE, DATA, OR PROFITS; OR BUSINESS INTERRUPTION) HOWEVER CAUSED AND ON ANY THEORY OF LIABILITY, WHETHER IN CONTRACT, STRICT LIABILITY, OR TORT (INCLUDING NEGLIGENCE OR OTHERWISE) ARISING IN ANY WAY OUT OF THE USE OF THIS SOFTWARE, EVEN IF ADVISED OF THE POSSIBILITY OF SUCH DAMAGE.

8 Revision History

The following table provides the revision history for this document.

Table 20. Revision history

Document ID	Release date	Description
HRPNUG v.3.0	29 March 2024	<ul style="list-style-type: none"> • Support for AVB SMP pipeline in Zephyr audio application • Support for MX93AUD-HAT audio expansion board on i.MX 93 • Improve support for AVB Talker and Listener on Zephyr • Improve support for TSN industrial application on Zephyr
HRPNUG v.2.5	15 December 2023	<ul style="list-style-type: none"> • Support for audio and industrial applications on i.MX 93 • Initial support for AVB Talker and Listener on Zephyr • Initial support for TSN industrial application on Zephyr

Table 20. Revision history...continued

Document ID	Release date	Description
HRPNUG v.2.4	28 July 2023	<ul style="list-style-type: none"> • Full Support for RPMsg control (all OSes, all boards) • Support for RT Latency on i.MX 93 • Support for Virtual Ethernet on i.MX 8M Plus and i.MX 93 • Support for AVB Listener Media Clock Recovery on i.MX 8M Plus • Support for AVB Listener Synchronization
HRPNUG v.2.3	28 March 2023	<ul style="list-style-type: none"> • Support for AVB Talker in FreeRTOS audio • Support for RPMsg control (FreeRTOS, all boards) • Support for Virtual Ethernet • Support for i.MX 93 (preview: hello_world)
HRPNUG v.2.2	16 December 2022	<ul style="list-style-type: none"> • Support for AVB listener in FreeRTOS audio • Support for SMP pipeline in Zephyr audio • Support for RPMsg control (preview) • Support for ENET, ENET_QoS in Zephyr industrial
HRPNUG v.EAR 2.1.0	28 July 2022	Minor changes to Section 4 and Section 5. Compatible with Real-Time Edge Software Rev 2.3 release
HRPNUG v.EAR 2.1.0	30 June 2022	<ul style="list-style-type: none"> • New industrial application in harpoon-apps • Implementation of flexible audio pipeline in harpoon-apps • Support for i.MX 8M Nano EVK for i.MX Yocto • Support for EVK's internal audio codecs • Support for systemd • Support for Zephyr • Drivers for FlexCAN, ENET, ENET_QOS
HRPNUG v.EAR 2.0.1	29 March 2022	Full integration to NXP Real-Time Edge
HRPNUG v.EAR 2.0.0	14 January 2022	Introduction of <code>harpoon-apps</code> . Support of FreeRTOS Support of both i.MX BSP and Real-Time Edge SW

Legal information

Definitions

Draft — A draft status on a document indicates that the content is still under internal review and subject to formal approval, which may result in modifications or additions. NXP Semiconductors does not give any representations or warranties as to the accuracy or completeness of information included in a draft version of a document and shall have no liability for the consequences of use of such information.

Disclaimers

Limited warranty and liability — Information in this document is believed to be accurate and reliable. However, NXP Semiconductors does not give any representations or warranties, expressed or implied, as to the accuracy or completeness of such information and shall have no liability for the consequences of use of such information. NXP Semiconductors takes no responsibility for the content in this document if provided by an information source outside of NXP Semiconductors.

In no event shall NXP Semiconductors be liable for any indirect, incidental, punitive, special or consequential damages (including - without limitation - lost profits, lost savings, business interruption, costs related to the removal or replacement of any products or rework charges) whether or not such damages are based on tort (including negligence), warranty, breach of contract or any other legal theory.

Notwithstanding any damages that customer might incur for any reason whatsoever, NXP Semiconductors' aggregate and cumulative liability towards customer for the products described herein shall be limited in accordance with the Terms and conditions of commercial sale of NXP Semiconductors.

Right to make changes — NXP Semiconductors reserves the right to make changes to information published in this document, including without limitation specifications and product descriptions, at any time and without notice. This document supersedes and replaces all information supplied prior to the publication hereof.

Suitability for use — NXP Semiconductors products are not designed, authorized or warranted to be suitable for use in life support, life-critical or safety-critical systems or equipment, nor in applications where failure or malfunction of an NXP Semiconductors product can reasonably be expected to result in personal injury, death or severe property or environmental damage. NXP Semiconductors and its suppliers accept no liability for inclusion and/or use of NXP Semiconductors products in such equipment or applications and therefore such inclusion and/or use is at the customer's own risk.

Applications — Applications that are described herein for any of these products are for illustrative purposes only. NXP Semiconductors makes no representation or warranty that such applications will be suitable for the specified use without further testing or modification.

Customers are responsible for the design and operation of their applications and products using NXP Semiconductors products, and NXP Semiconductors accepts no liability for any assistance with applications or customer product design. It is customer's sole responsibility to determine whether the NXP Semiconductors product is suitable and fit for the customer's applications and products planned, as well as for the planned application and use of customer's third party customer(s). Customers should provide appropriate design and operating safeguards to minimize the risks associated with their applications and products.

NXP Semiconductors does not accept any liability related to any default, damage, costs or problem which is based on any weakness or default in the customer's applications or products, or the application or use by customer's third party customer(s). Customer is responsible for doing all necessary testing for the customer's applications and products using NXP Semiconductors products in order to avoid a default of the applications and the products or of the application or use by customer's third party customer(s). NXP does not accept any liability in this respect.

Terms and conditions of commercial sale — NXP Semiconductors products are sold subject to the general terms and conditions of commercial sale, as published at <https://www.nxp.com/profile/terms>, unless otherwise agreed in a valid written individual agreement. In case an individual agreement is concluded only the terms and conditions of the respective agreement shall apply. NXP Semiconductors hereby expressly objects to applying the customer's general terms and conditions with regard to the purchase of NXP Semiconductors products by customer.

Export control — This document as well as the item(s) described herein may be subject to export control regulations. Export might require a prior authorization from competent authorities.

Suitability for use in non-automotive qualified products — Unless this document expressly states that this specific NXP Semiconductors product is automotive qualified, the product is not suitable for automotive use. It is neither qualified nor tested in accordance with automotive testing or application requirements. NXP Semiconductors accepts no liability for inclusion and/or use of non-automotive qualified products in automotive equipment or applications.

In the event that customer uses the product for design-in and use in automotive applications to automotive specifications and standards, customer (a) shall use the product without NXP Semiconductors' warranty of the product for such automotive applications, use and specifications, and (b) whenever customer uses the product for automotive applications beyond NXP Semiconductors' specifications such use shall be solely at customer's own risk, and (c) customer fully indemnifies NXP Semiconductors for any liability, damages or failed product claims resulting from customer design and use of the product for automotive applications beyond NXP Semiconductors' standard warranty and NXP Semiconductors' product specifications.

Translations — A non-English (translated) version of a document, including the legal information in that document, is for reference only. The English version shall prevail in case of any discrepancy between the translated and English versions.

Security — Customer understands that all NXP products may be subject to unidentified vulnerabilities or may support established security standards or specifications with known limitations. Customer is responsible for the design and operation of its applications and products throughout their lifecycles to reduce the effect of these vulnerabilities on customer's applications and products. Customer's responsibility also extends to other open and/or proprietary technologies supported by NXP products for use in customer's applications. NXP accepts no liability for any vulnerability. Customer should regularly check security updates from NXP and follow up appropriately. Customer shall select products with security features that best meet rules, regulations, and standards of the intended application and make the ultimate design decisions regarding its products and is solely responsible for compliance with all legal, regulatory, and security related requirements concerning its products, regardless of any information or support that may be provided by NXP.

NXP has a Product Security Incident Response Team (PSIRT) (reachable at PSIRT@nxp.com) that manages the investigation, reporting, and solution release to security vulnerabilities of NXP products.

NXP B.V. — NXP B.V. is not an operating company and it does not distribute or sell products.

Trademarks

Notice: All referenced brands, product names, service names, and trademarks are the property of their respective owners.

NXP — wordmark and logo are trademarks of NXP B.V.

Amazon Web Services, AWS, the Powered by AWS logo, and FreeRTOS — are trademarks of Amazon.com, Inc. or its affiliates.

i.MX — is a trademark of NXP B.V.

I2C-bus — logo is a trademark of NXP B.V.

Layerscape — is a trademark of NXP B.V.

QorIQ — is a trademark of NXP B.V.

Contents

1	Overview	2	6.2.2	Building the RTOS application for the RTOS cell	59
1.1	Supported Features	3	6.2.2.1	Building FreeRTOS based applications	59
1.2	Architecture	4	6.2.2.2	Building Zephyr based applications	60
1.3	Hardware resource partitioning	5	6.2.3	Building the Linux control application for the root cell	60
2	Building Harpoon Yocto images	6	6.3	Developing a Harpoon Application	61
2.1	i.MX Yocto	6	6.3.1	Architecture of the audio application	61
2.2	Real-Time Edge Yocto	7	6.3.2	Source file creation	61
3	Hardware Setup	7	6.3.3	Board specific code	63
3.1	i.MX Reference Boards	7	6.3.4	Controlling application from Linux side	63
3.1.1	i.MX 8M Mini EVK	7	7	Note About the Source Code in the Document	64
3.1.2	i.MX 8M Nano EVK	7	8	Revision History	64
3.1.3	i.MX 8M Plus EVK	8		Legal information	66
3.1.4	i.MX 93 EVK	8			
3.2	Audio use case hardware	9			
3.2.1	HiFiBerry setup	9			
3.2.2	MX93AUD-HAT Setup	12			
3.3	Industrial use case hardware	13			
3.4	Virtio networking use case hardware	15			
4	Running Harpoon Reference Applications	15			
4.1	Basic setup	15			
4.2	Starting Linux kernel	15			
4.3	hello_world application	17			
4.4	Audio application	18			
4.4.1	Features of the audio application	18			
4.4.2	Starting the audio application	19			
4.4.3	Audio latency in loopback mode	20			
4.4.4	Running audio application: examples	20			
4.4.4.1	Playing DTMF	20			
4.4.4.2	Playing in loopback mode	21			
4.4.4.3	Playing a full audio pipeline	21			
4.4.4.4	Playing an AVB audio pipeline	23			
4.4.4.5	Playing an SMP audio pipeline	41			
4.5	Industrial application	44			
4.5.1	Features of the industrial application	44			
4.5.2	Starting the industrial application	44			
4.5.3	Running the industrial application: examples	45			
4.5.3.1	FlexCAN multiple nodes communication	45			
4.5.3.2	Ethernet through MCUXpresso SDK API	47			
4.5.3.3	Ethernet with GenAVB/TSN stack	49			
4.6	rt_latency application	53			
4.7	Virtio Networking application	56			
4.7.1	Features of the Virtio Networking application	56			
4.7.2	Running the Virtio Networking application	56			
5	Known Issues	58			
6	Technical Details on Harpoon Applications	58			
6.1	Description	58			
6.2	Manual build	59			
6.2.1	Setting up the environment	59			

Please be aware that important notices concerning this document and the product(s) described herein, have been included in section 'Legal information'.