

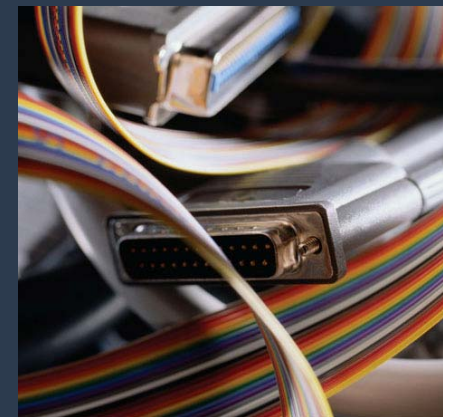
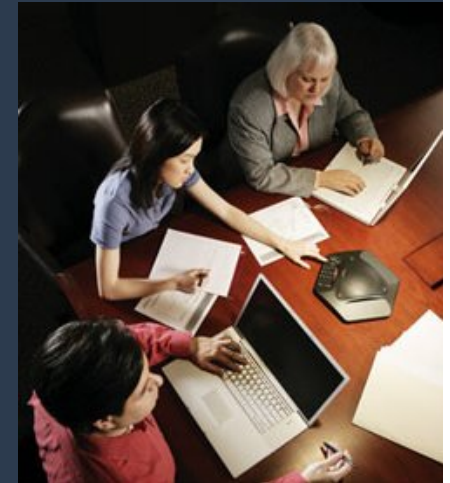


How Linux[®] Will Drive Technology Convergence: An Embedded Story

LinuxWorld Beijing Keynote
18 August 2005

Freescale™ and the Freescale logo are trademarks of Freescale Semiconductor, Inc. All other product or service names are the property of their respective owners. © Freescale Semiconductor, Inc. 2005.

- Who is Freescale? A brief introduction
- Linux in embedded markets
 - On mobile platforms
 - On the PowerPC® architecture
- Technology convergence and Linux...the equalizer
- China: Re-envisioning computing and communications
- Conclusion



Who Is Freescale Semiconductor

- Semiconductor design and manufacturing company **established in 1953**
- Focused on the networking, automotive, wireless communications, industrial control and consumer electronics markets
- Engaged with **10,000+ customers** globally; over **100 of the top electronic manufacturers**
- **\$5.7 billion** in revenue in 2004
- Headquartered in **Austin, Texas**
- **22,000** employees in over **30** countries



Operating Around the World



- World Headquarters
- Wafer Manufacturing
- Assembly & Test
- R or D Facilities

Americas

- 9,500 employees
- 4 factories
 - Ed Bluestein, Austin
 - Oak Hill, Austin
 - Chandler, Arizona
 - Tempe, Arizona
- 8 design centers

EMEA

- 4,600 employees
- 3 factories
 - Toulouse, France
 - East Kilbride, Scotland
 - Crolles2 Alliance, France
- 8 design centers

Asia Pacific/Japan

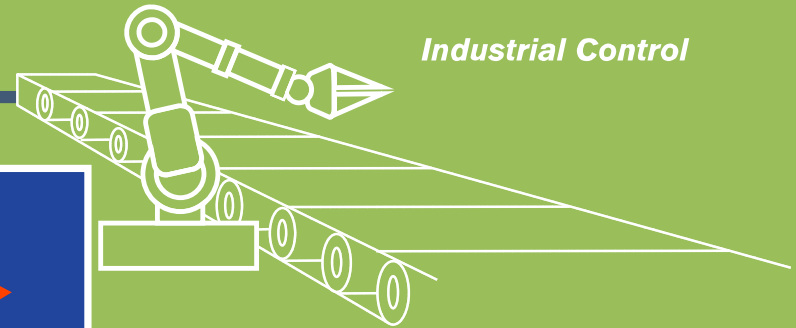
- 8,100 employees
- 3 factories
 - Sendai, Japan
 - KLM, Malaysia
 - Tianjin, China
- 9 design centers

Freescalé's Core Markets

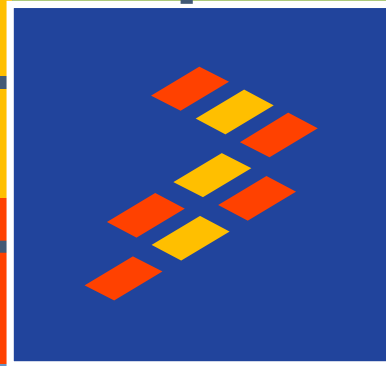
Networking



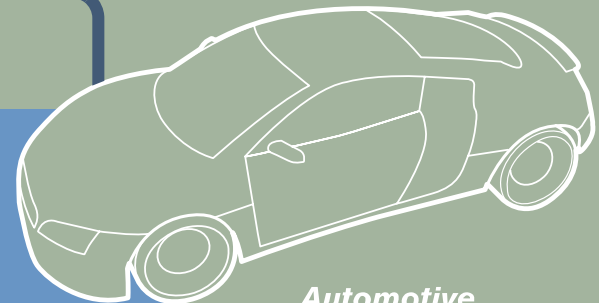
Industrial Control



Wireless



Consumer Electronics



Automotive

Linux and Embedded Markets

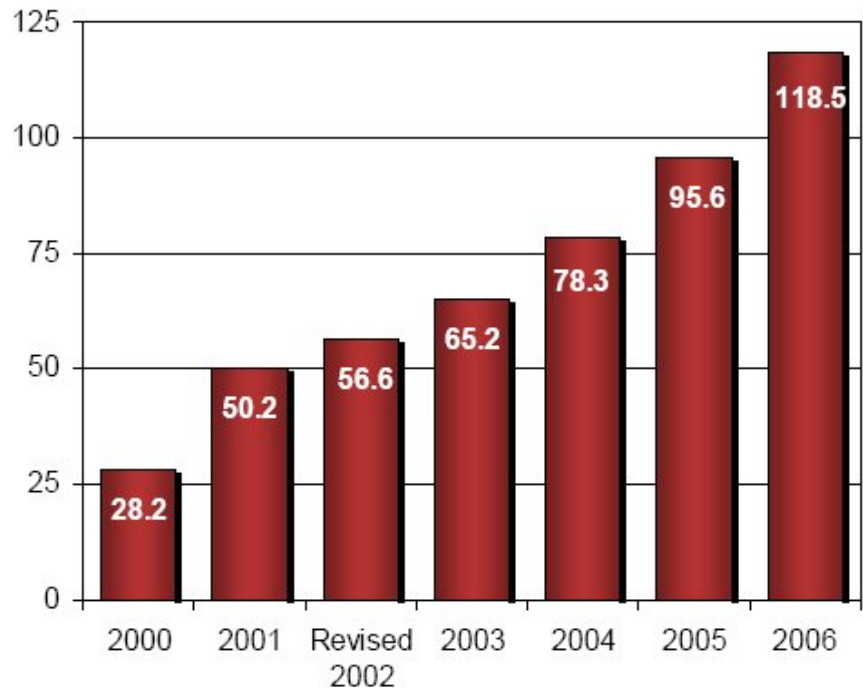
- **Examples of embedded Linux:**
 - Carrier-Grade Linux
 - Automotive-Grade Linux
 - uClinux

- **Benefits for embedded systems:**
 - Cost-effective
 - Streamlined code base
 - Network-friendly
 - Flexible
 - Hardware agnostic
 - Developer control

Source: Venture Development Corporation

Worldwide Shipments of Embedded Linux Operating Systems, Add-on Components, and Related Services (Millions of Dollars)

2003-2006 CAGR: 22.0%



Linux on Mobile Platforms

- **The Challenge:** Differentiating services while lowering costs
- **What's driving Linux growth in mobile platforms:**
 - Customization of platforms and feature scaling...
 - > GPS navigation
 - > music playback
 - > imaging
 - > gaming
 - > e-mail
 - > V2IP



Linux on Mobile Platforms

- **The Challenge:** Differentiating services while lowering costs
- **What's driving Linux growth in mobile platforms:**
 - Customization of platforms and feature scaling...
 - > GPS navigation
 - > music playback
 - > imaging
 - > gaming
 - > e-mail
 - > V2IP

**Smartphones plus Linux,
the future is here**



Freescale Mobile Multimedia Solutions

- **Mobile Extreme Convergence (MXC) platforms**
 - True Single core modem approach
 - Baseband, RF, PA, PM, memory in a postage stamp
 - Reduced cost, complexity, size and power consumption

- **i.MX multimedia applications processors**
 - Smart speed – low power consumption with MHz performance to spare
 - High degree of integration reduces design time



Linux on the PowerPC™ Architecture

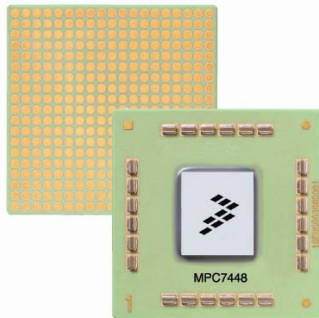
- **The Challenge:** Increasing compute density without increasing cost and power
- **What's driving Linux growth on the PowerPC platform:**
 - home media
 - web servers
 - infrastructure capacity
 - cluster computing
 - automotive infotainment



PowerPC Processor

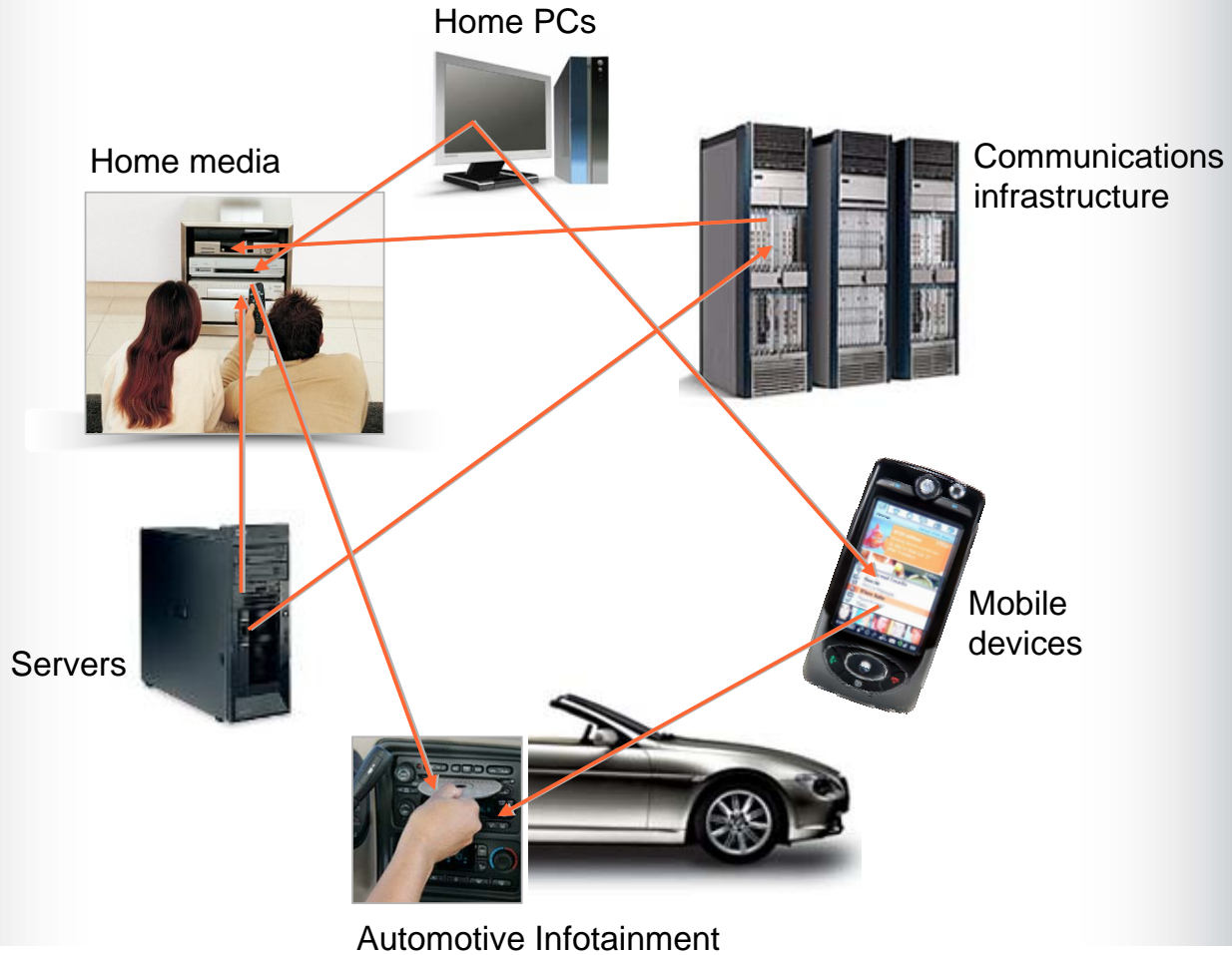
Open Firmware

Freescal PowerPC™ Solutions

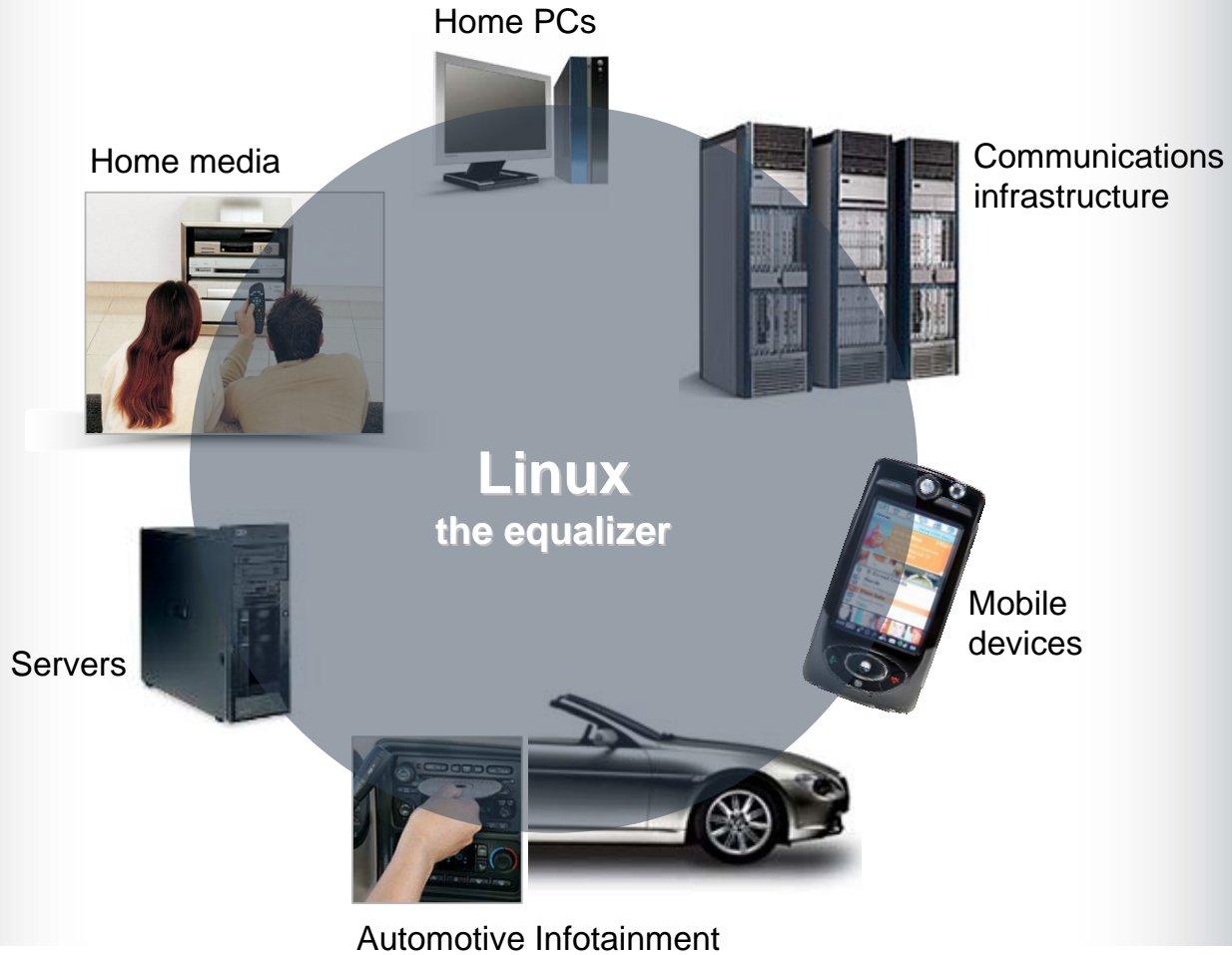


- **PowerPC Microcontrollers**
 - For automotive and industrial applications
- **PowerQUICC™ I, II, and III Communications Processors**
 - On-chip integration of high-speed interfaces, network acceleration, security
 - SOHO, enterprise, wired and wireless infrastructure + storage, industrial, print/imaging
- **High-Performance PowerPC Processors**
 - Dual core processor on roadmap
 - Networking + home media, commercial robotics, blade servers, printers, gaming

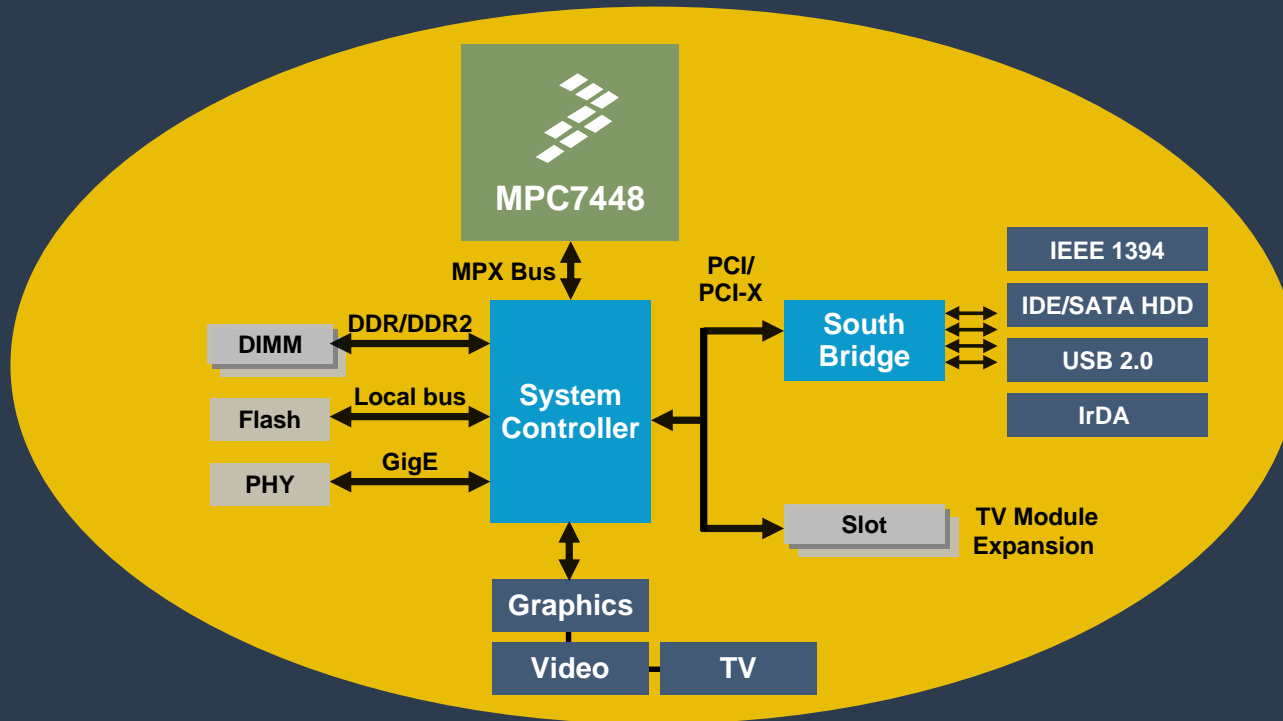
Converging Technologies



Converging Technologies



Home Media Center



Home Media Center

Browser & E-mail

*DVD/VCD
Movies*

*Electronic
Program
Guide*

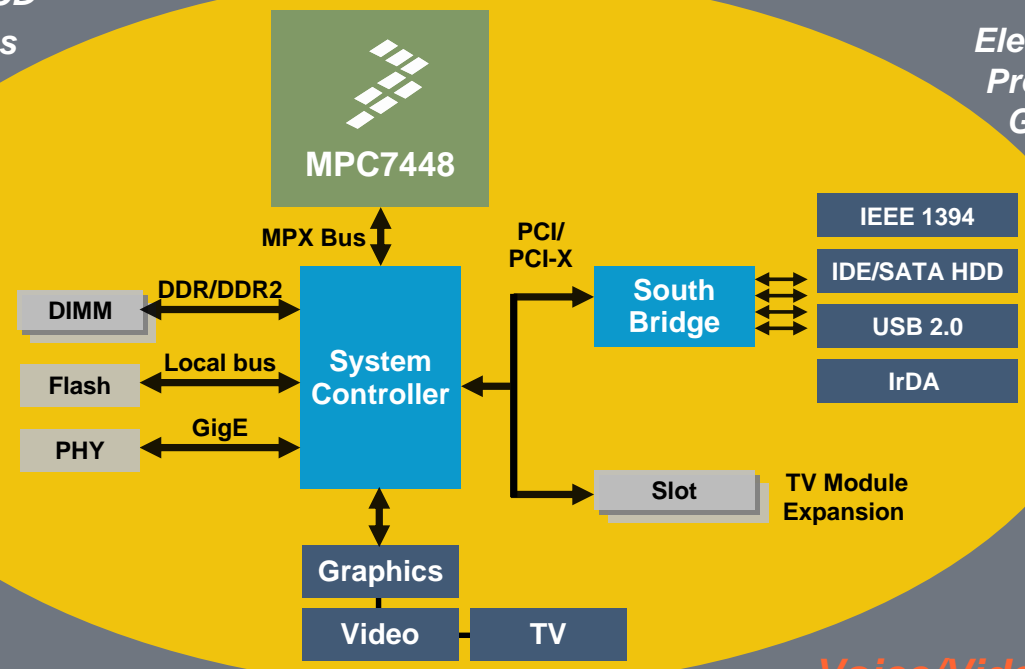
Games

*Photo
Album*

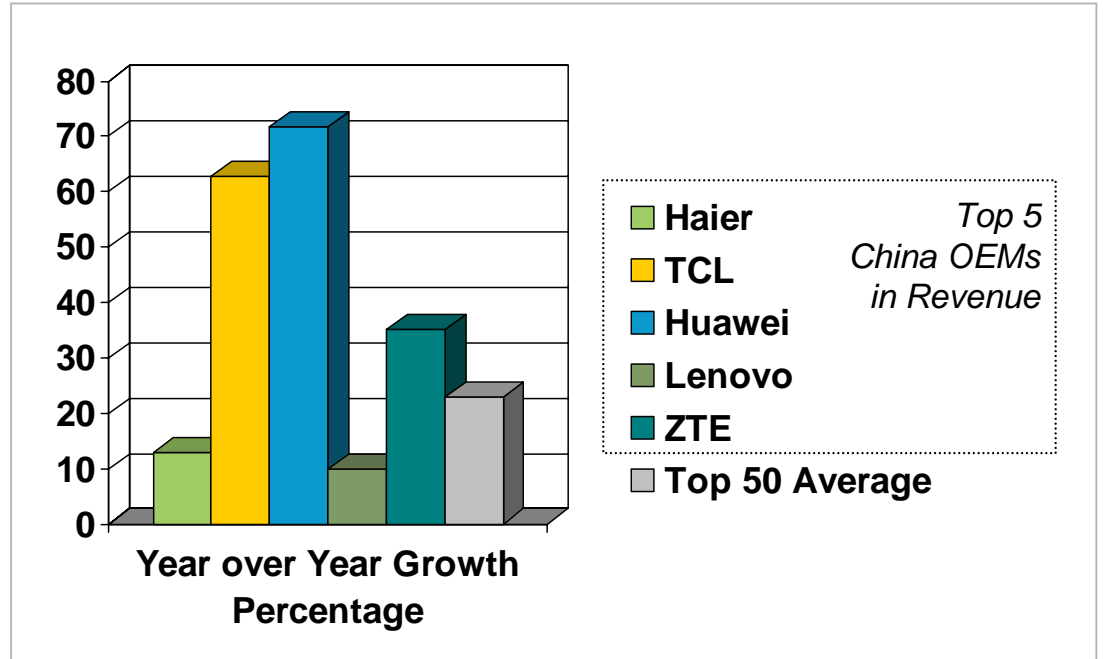
*Personal
Video
Recorder*

*Voice/Video
Phone*

*Connectivity / Router
(UWB, WLAN, Ethernet...)*



Growth and Innovation Come Hand-in-Hand



Source: iSuppli Corp. February 2005

China's top 50 OEMs outperform the market in 2004 with a 23% year-on-year increase in sales.

Enabling a Connected World

