



S32K-ISELED LED Lighting Solution

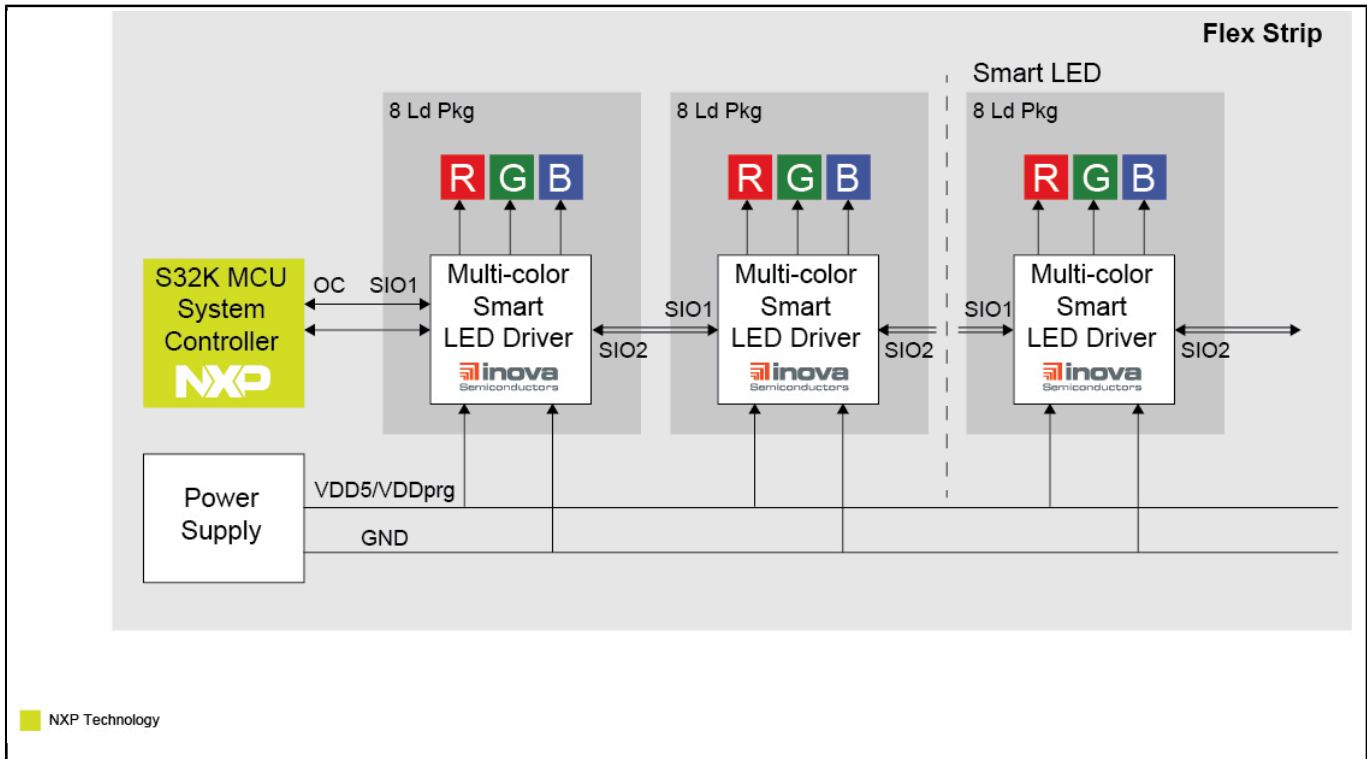
S32K-ISELED

Last Updated: May 1, 2023

ISELED is a new technology for next-generation smart LED lighting systems, primarily in automotive applications (mainly for automotive interior lighting). It's also applicable to industrial. ISELED addresses calibration and communication issues in today's LED lighting systems by moving the costly external processes for ensuring stable light parameters (brightness and color stability) to embedded processing in the RGB LED itself.

The 32-bit Arm® Cortex®-M based S32K MCUs (6 Cortex-M0+/M4F-based S32K1 MCU families and 13 Cortex-M7-based S32K3 MCU families to be available in 2022) support the ISELED protocol with an ISELED software driver available for the SDK and AUTOSAR MCAL.

S32K-ISELED LED lighting solution Block Diagram



View additional information for [S32K-ISELED LED Lighting Solution](#).

Note: The information on this document is subject to change without notice.

www.nxp.com

NXP and the NXP logo are trademarks of NXP B.V. All other product or service names are the property of their respective owners. The related technology may be protected by any or all of patents, copyrights, designs and trade secrets. All rights reserved. © 2024 NXP B.V.