



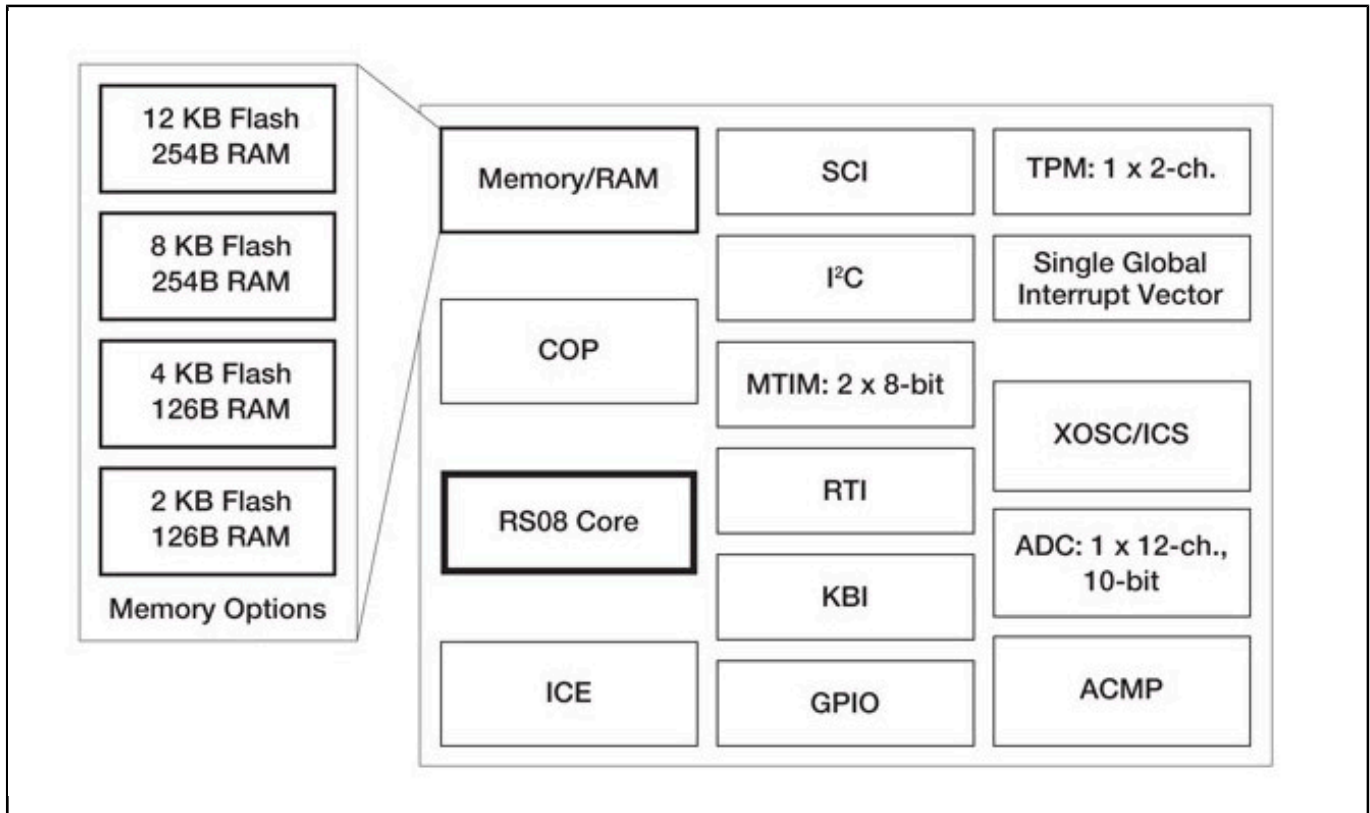
8-bit RS08KB Family of Microcontrollers (MCUs)

RS08KB

Last Updated: Jun 22, 2022

Our RS08KB 8-bit microcontroller (MCU) family features an integrated peripheral set that includes a highly efficient core to support interrupt capability, helping to improve system performance and save additional components costs. The RS08KB family eases migration by offering multiple package and flash size options, along with pin compatibility with other 5-volt families and the CodeWarrior® development tool to support other all 8-bit families.

S08KB Microcontroller Block Diagram Block Diagram



View additional information for [8-bit RS08KB Family of Microcontrollers \(MCUs\)](#).

Note: The information on this document is subject to change without notice.

www.nxp.com

NXP and the NXP logo are trademarks of NXP B.V. All other product or service names are the property of their respective owners. The related technology may be protected by any or all of patents, copyrights, designs and trade secrets. All rights reserved. © 2024 NXP B.V.