



K60 3-Phase PMSM Sensorless Vector Control Reference Design

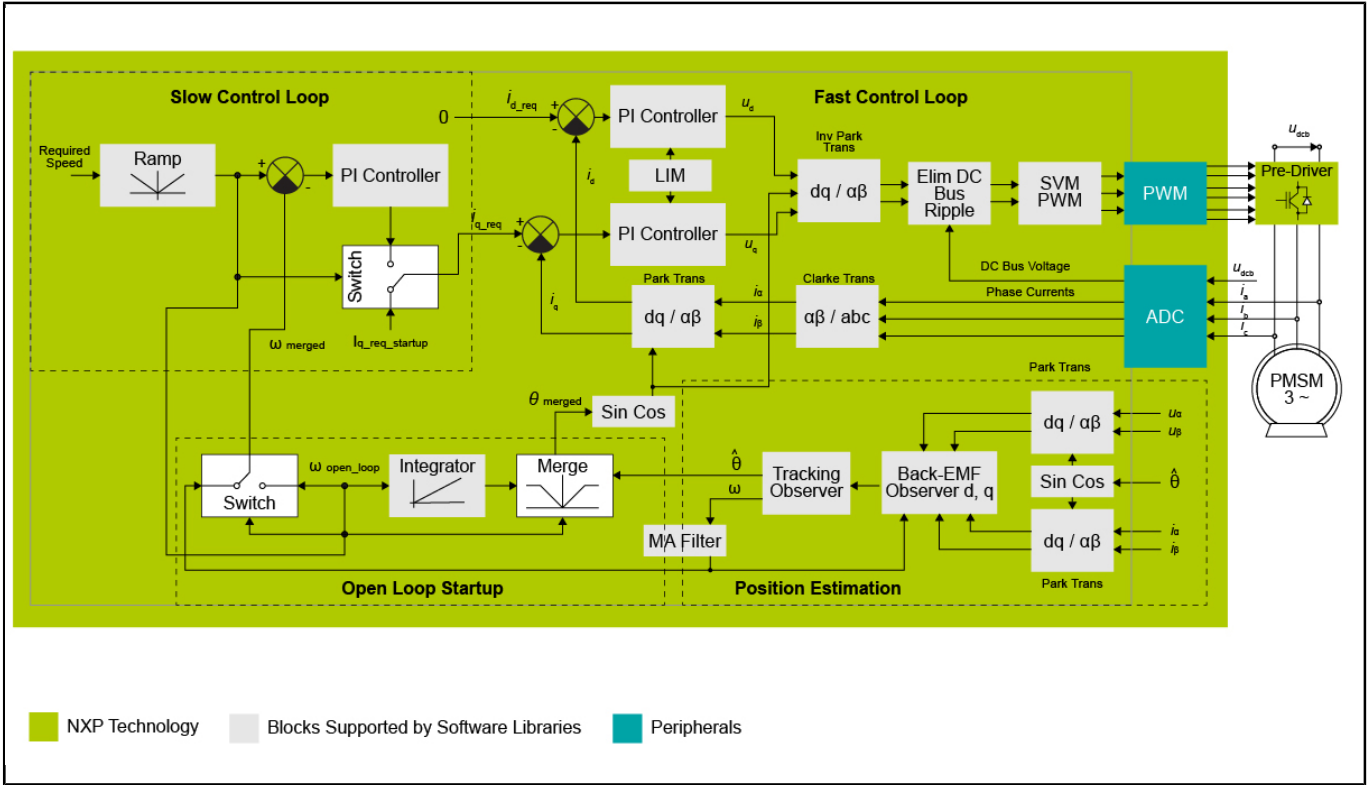
RD3PHASEPMSMSVCK60

Last Updated: Jun 12, 2023

The 3-phase PMSM sensorless vector control based on the K60 reference design demonstrates the ability of the K60 Arm® Cortex®-M4 MCU to drive the advanced motor control application.

The application is targeted at the NXP® Tower® rapid prototyping system as a hardware development platform. Together with available embedded source code, you can quickly build an industrial drive application.

Sensorless Vector Control Block Diagram



View additional information for [K60 3-Phase PMSM Sensorless Vector Control Reference Design](#).

Note: The information on this document is subject to change without notice.

www.nxp.com

NXP and the NXP logo are trademarks of NXP B.V. All other product or service names are the property of their respective owners. The related technology may be protected by any or all of patents, copyrights, designs and trade secrets. All rights reserved. © 2024 NXP B.V.