



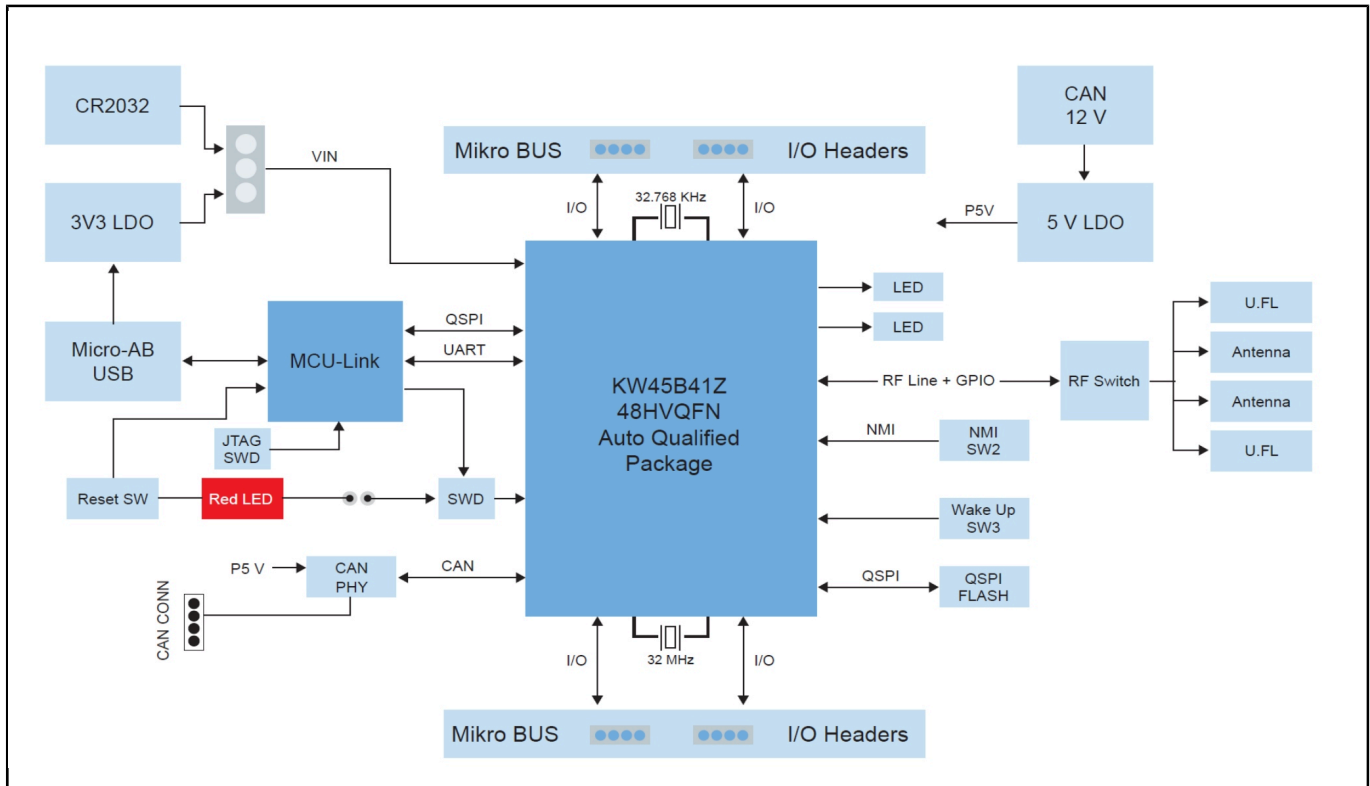
KW45 Localization Board Reference Design

RD-KW45-LOCALIZATION

Last Updated: Apr 29, 2024

The KW45B41Z LOC is an evaluation kit for KW45 Automotive MCU with 2.4 GHz Bluetooth Low Energy and generic FSK wireless connectivity and CAN/LIN connectivity. This platform is dedicated to Narrow band Wireless Ranging and it will help you to prepare the implementation of your Bluetooth Channel Sounding solution. The KW45's highly sensitive, optimized 2.4 GHz radio features is featured with antenna diversity via RF switch.

KW45B41Z-LOC Block Diagram Block Diagram



View additional information for [KW45 Localization Board Reference Design](#).

Note: The information on this document is subject to change without notice.

www.nxp.com

NXP and the NXP logo are trademarks of NXP B.V. All other product or service names are the property of their respective owners. The related technology may be protected by any or all of patents, copyrights, designs and trade secrets. All rights reserved. © 2024 NXP B.V.