



Multi-Channel (5) PMIC for Automotive Applications: 3 LVBUCK and 2 LDO, Fit for ASIL B Safety Level

PF5103

Preproduction

This page contains information on a preproduction product. Specifications and information herein are subject to change without notice. For additional information [contact support](#) or your sales representative.

Last Updated: Dec 14, 2023

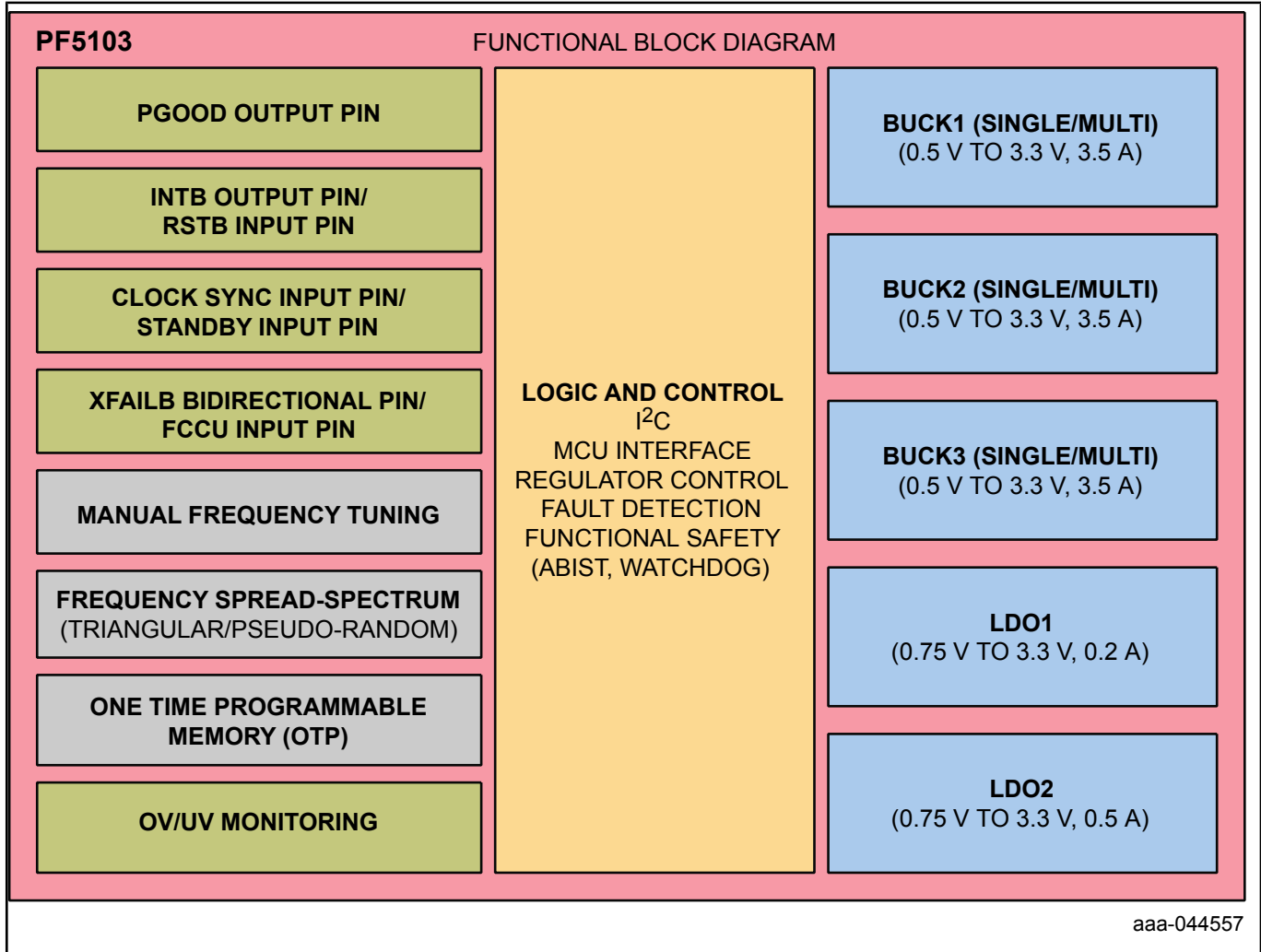
The PF5103 is a multi-channel PMIC device designed to be used for automotive safety and industrial applications. The PF5103 is configurable making it a great companion and fit for various system level power requirements.

Integrated voltage monitoring circuits ensure compliance with ISO 26262 standard and functional safety ASIL B level. The PF5103 is available as a standard non-safety device for applications that don't require the ISO 26262 compliance.

The PF5103 is suitable for the application that requires multi power supply, including infotainment, ADAS, vision and radar as a companion to another NXP PMIC a SBC like the FS8x family.

This device is suitable for S32R processors-based applications.

Multi-Channel (5) PMIC for Automotive Applications Block Diagram



View additional information for [Multi-Channel \(5\) PMIC for Automotive Applications: 3 LVBUCK and 2 LDO, Fit for ASIL B Safety Level](#).

Note: The information on this document is subject to change without notice.

www.nxp.com

NXP and the NXP logo are trademarks of NXP B.V. All other product or service names are the property of their respective owners. The related technology may be protected by any or all of patents, copyrights, designs and trade secrets. All rights reserved. © 2024 NXP B.V.