



# Universal 60 X 4 LCD Segment Driver for Multiplex Rates Up to 1-4

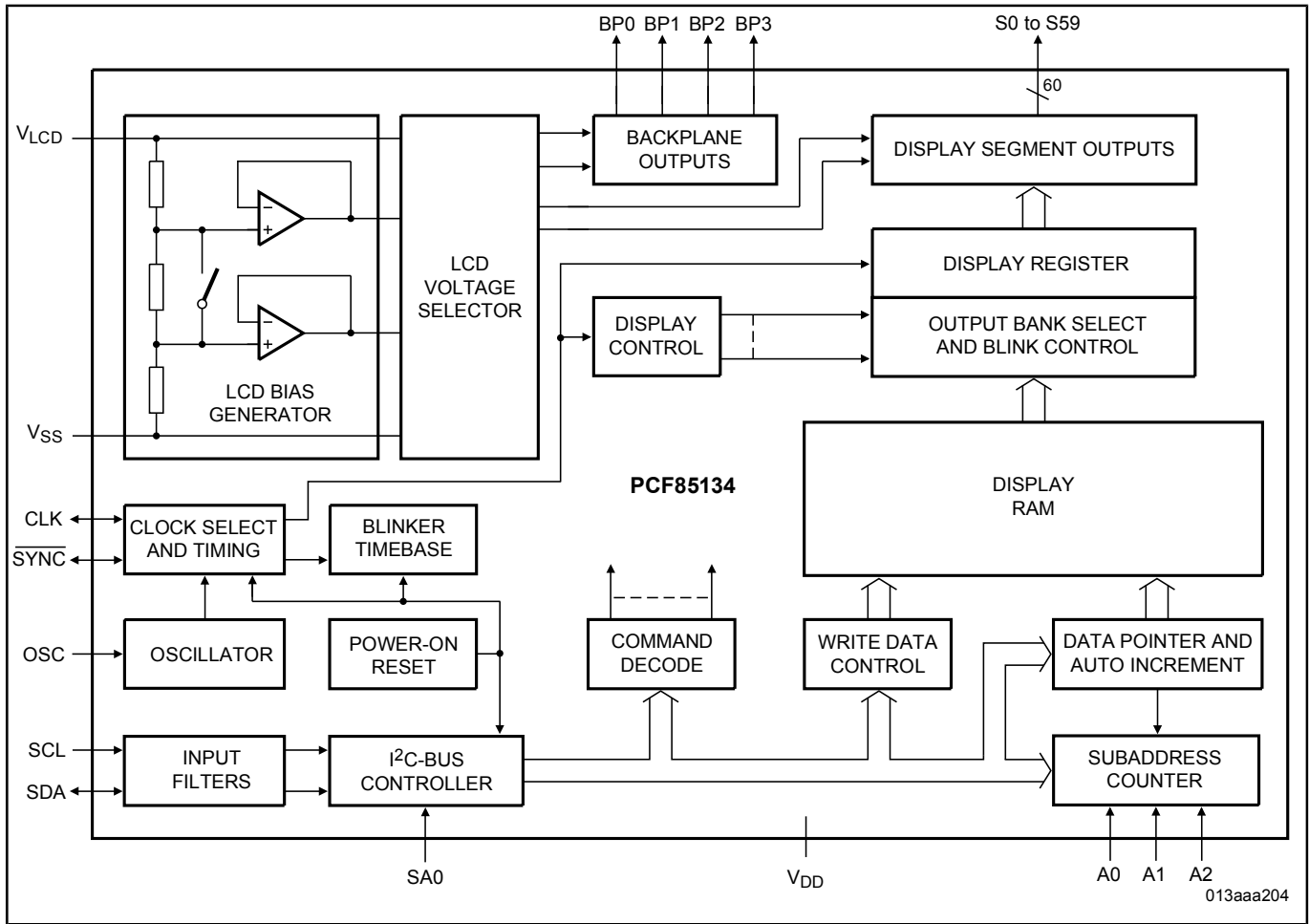
## PCF85134HL

Last Updated: Oct 13, 2023

The PCF85134 is a peripheral device which interfaces to almost any Liquid Crystal Display (LCD) with low multiplex rates. It generates the drive signals for any static or multiplexed LCD containing up to four backplanes and up to 60 segments. It can be easily cascaded for larger LCD applications. The PCF85134 is compatible with most microcontrollers and communicates via the two-line bidirectional I<sup>2</sup>C-bus. Communication overheads are minimized by a display RAM with auto-incremented addressing, by hardware subaddressing, and by display memory switching (static and duplex drive modes).

Although there is a small difference in typical frequency frame and ESD test condition PCF85134 can be used as drop-in replacement to PCF8534 without any system circuit or firmware change.

# PCF85134 Block Diagram Block Diagram



View additional information for [Universal 60 X 4 LCD Segment Driver for Multiplex Rates Up to 1-4](#).

Note: The information on this document is subject to change without notice.

[www.nxp.com](http://www.nxp.com)

NXP and the NXP logo are trademarks of NXP B.V. All other product or service names are the property of their respective owners. The related technology may be protected by any or all of patents, copyrights, designs and trade secrets. All rights reserved. © 2024 NXP B.V.