



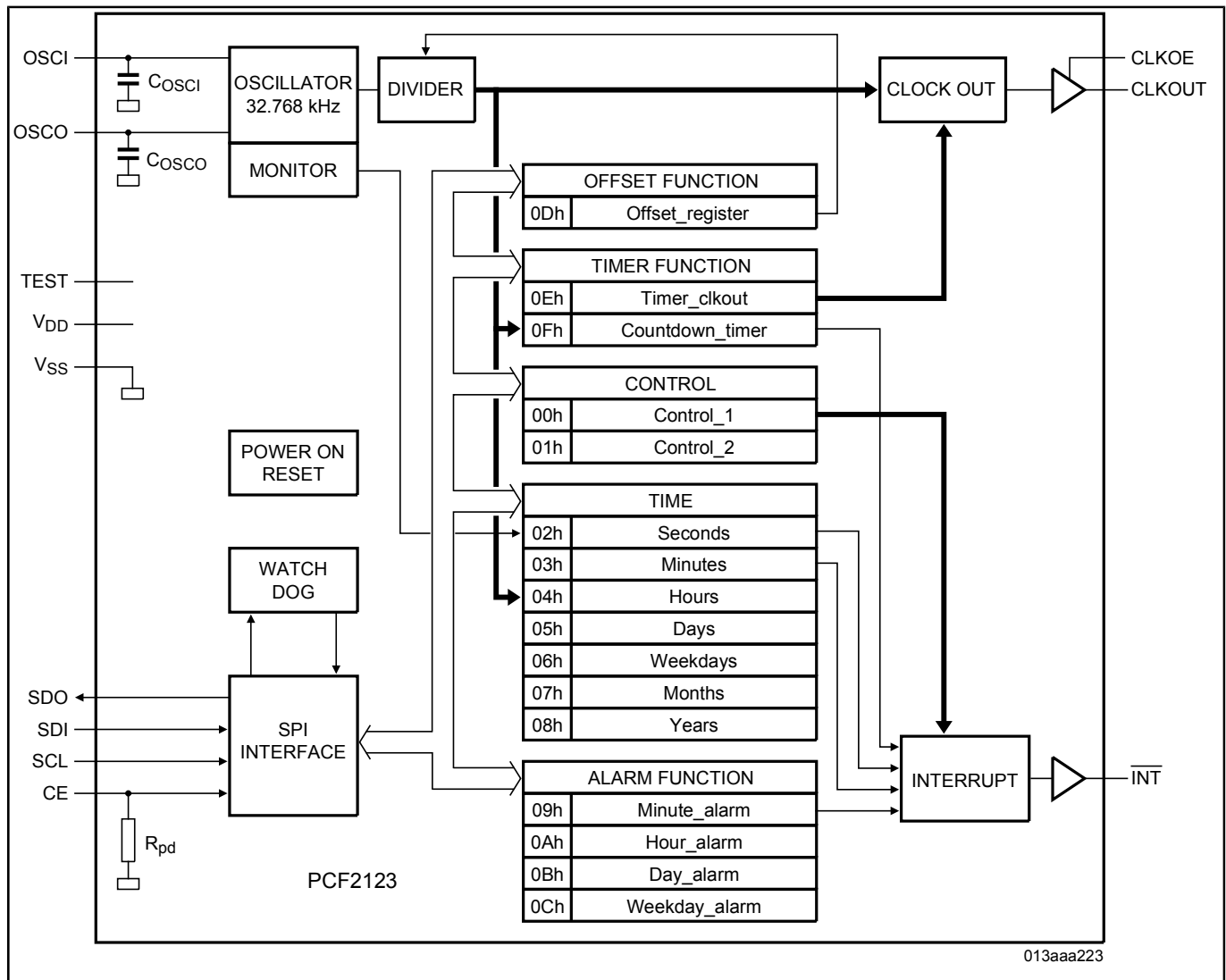
SPI Real-Time Clock/Calendar

PCF2123

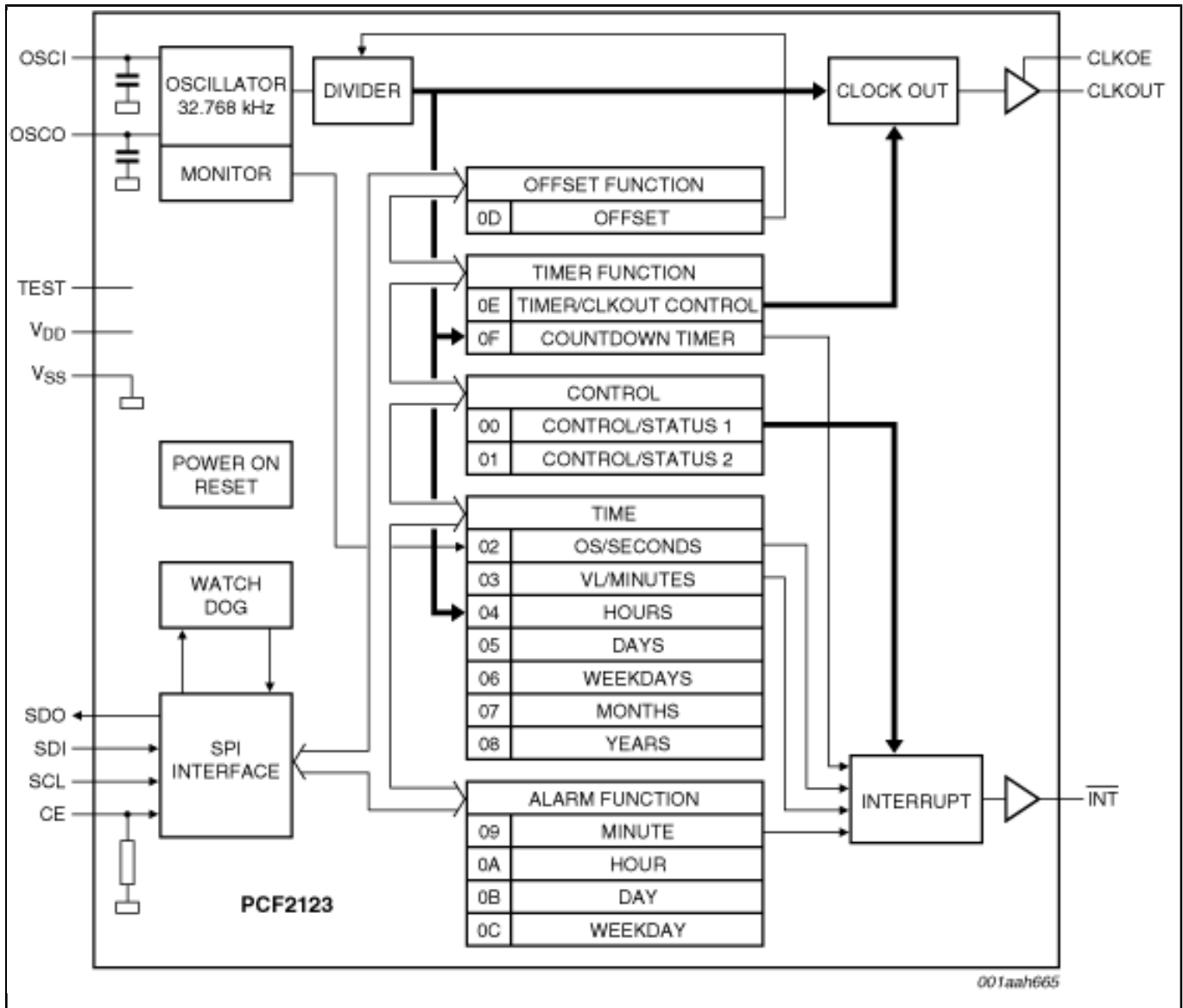
Last Updated: Apr 11, 2024

The PCF2123 is a CMOS Real-Time Clock (RTC) and calendar optimized for low power applications. Data is transferred serially via a Serial Peripheral Interface (SPI-bus) with a maximum data rate of 6.25 Mbit/s. An alarm and timer function is also available providing the possibility to generate a wake-up signal on an interrupt pin. An offset register allows fine tuning of the clock.

PCF2123 Block Diagram Block Diagram



Block diagram: PCF2123TS, PCF2123U Block Diagram



View additional information for [SPI Real-Time Clock/Calendar](#).

Note: The information on this document is subject to change without notice.

www.nxp.com

NXP and the NXP logo are trademarks of NXP B.V. All other product or service names are the property of their respective owners. The related technology may be protected by any or all of patents, copyrights, designs and trade secrets. All rights reserved. © 2024 NXP B.V.