



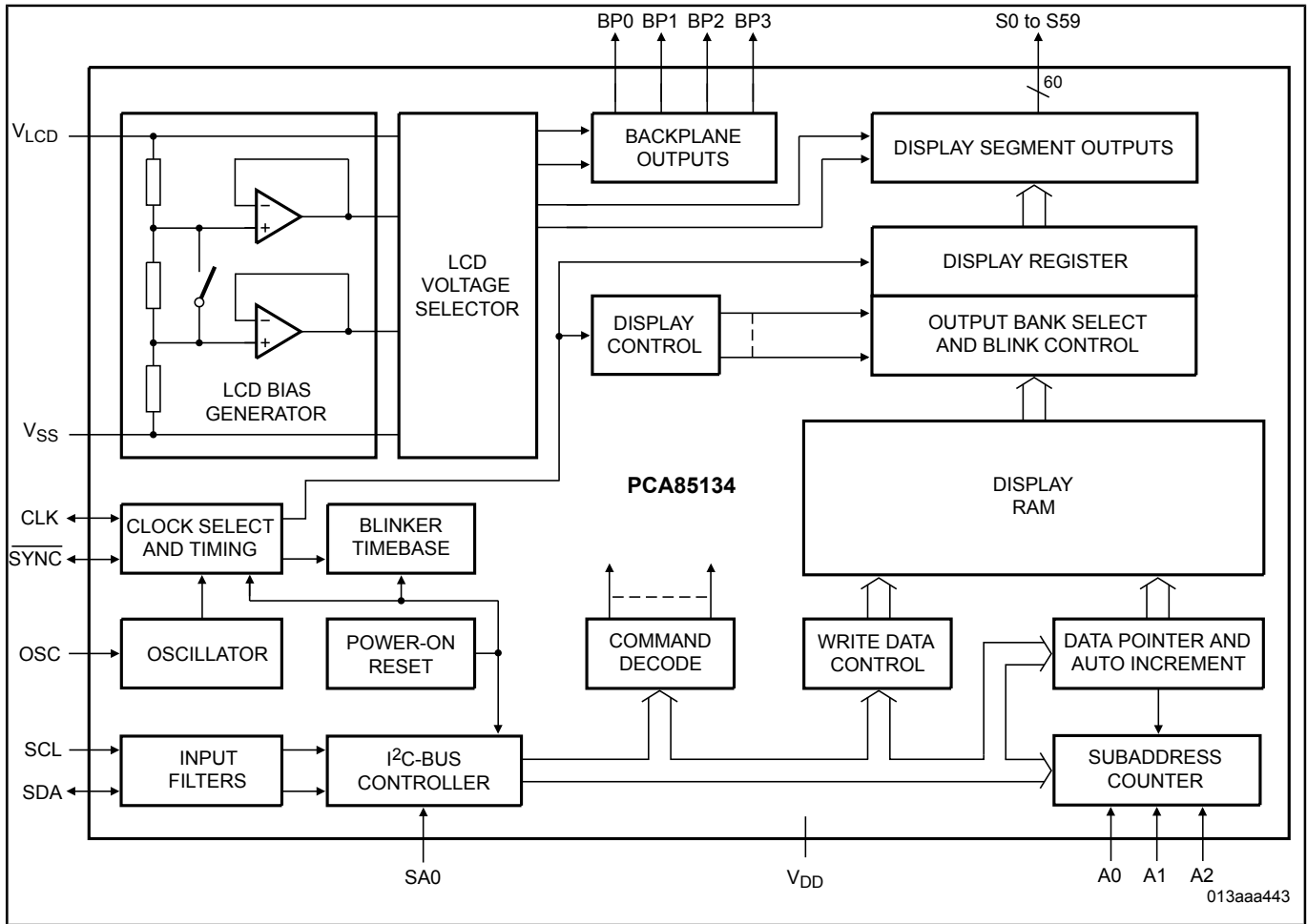
Automotive 60 X 4 LCD Segment Driver for Multiplex Rates Up to 1-4

PCA85134H

Last Updated: Jan 31, 2024

The PCA85134 is a peripheral device which interfaces to almost any Liquid Crystal Display (LCD) with low multiplex rates. It generates the drive signals for any static or multiplexed LCD containing up to four backplanes and up to 60 segments. It can be easily cascaded for larger LCD applications. The PCA85134 is compatible with most microcontrollers and communicates via the two-line bidirectional I²C-bus. Communication overheads are minimized by a display RAM with auto-incremented addressing, by hardware subaddressing, and by display memory switching (static and duplex drive modes).

PCA85134 BLOCK DIAGRAM Block Diagram



View additional information for [Automotive 60 X 4 LCD Segment Driver for Multiplex Rates Up to 1-4](#).

Note: The information on this document is subject to change without notice.

www.nxp.com

NXP and the NXP logo are trademarks of NXP B.V. All other product or service names are the property of their respective owners. The related technology may be protected by any or all of patents, copyrights, designs and trade secrets. All rights reserved. © 2024 NXP B.V.