



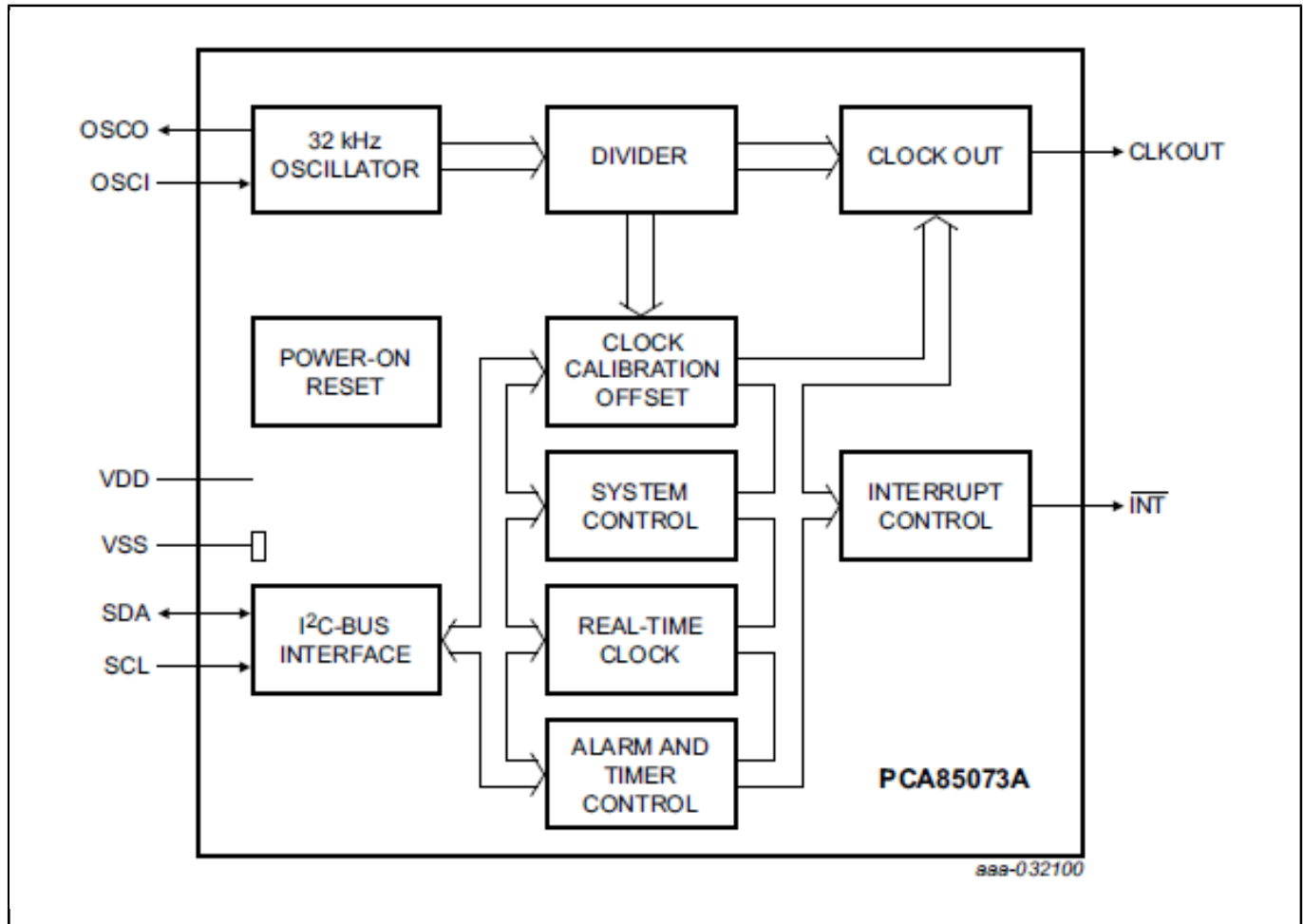
# Automotive Tiny Real-Time Clock/ Calendar with Alarm Function and I<sup>2</sup>C-Bus

## PCA85073A

Last Updated: Apr 12, 2024

The PCA85073A is a CMOS<sup>1</sup> Real-Time Clock (RTC) and calendar optimized for low power consumption. An offset register allows fine-tuning of the clock. All addresses and data are transferred serially via the two-line bidirectional I<sup>2</sup>C-bus. Maximum data rate is 400 kbit/s. The register address is incremented automatically after each written or read data byte.

## PCA85073A Block diagram Block Diagram



View additional information for [Automotive Tiny Real-Time Clock/Calendar with Alarm Function and I<sup>2</sup>C-Bus](#).

**Note:** The information on this document is subject to change without notice.

[www.nxp.com](http://www.nxp.com)

NXP and the NXP logo are trademarks of NXP B.V. All other product or service names are the property of their respective owners. The related technology may be protected by any or all of patents, copyrights, designs and trade secrets. All rights reserved. © 2024 NXP B.V.