



5 Watt Wireless Charging Transmitter ICs

MWCT1x0x

Not Recommended for New Designs

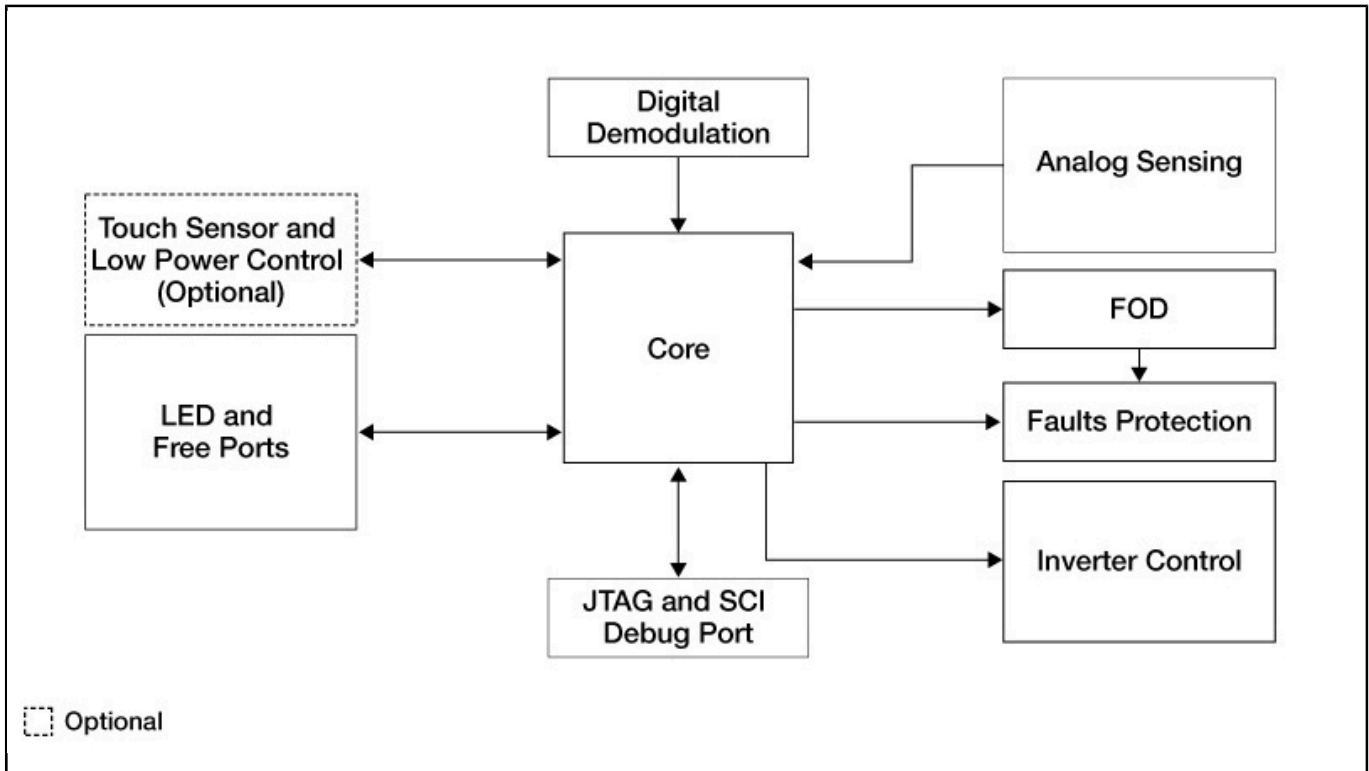
Recommended to use: [MWCT2xx3A](#)

Last Updated: Jan 17, 2024

NXP 5W wireless charging transmitter ICs provide the complete controller functionality in implementing a wireless charging transmitter solution. Using an optimized hardware and software platform, Our transmitter ICs implement and control the power transfer function, as well as monitor and manage overall system state, such as foreign object detection, temperature and system efficiency.

For WCT1x0x family, which supports both single-coil and multi-coil A type applications, NXP[®] offers a standard and premium solution. The standard solution comes fully configured to provide a standalone, low-cost implementation of a 5W transmitter. For engineers needing additional flexibility, NXP offers a premium solution, providing additional hardware and software resources to customize the application.

MWCT1000, MWCT1200 and MWCT1101 Block Diagram Block Diagram



View additional information for [5 Watt Wireless Charging Transmitter ICs](#).

Note: The information on this document is subject to change without notice.

www.nxp.com

NXP and the NXP logo are trademarks of NXP B.V. All other product or service names are the property of their respective owners. The related technology may be protected by any or all of patents, copyrights, designs and trade secrets. All rights reserved. © 2024 NXP B.V.