



# 8-Bit MCU with Vreg, H-B, EC Glass Driver, LIN Phy

## MM908E622

### Not Recommended for New Designs

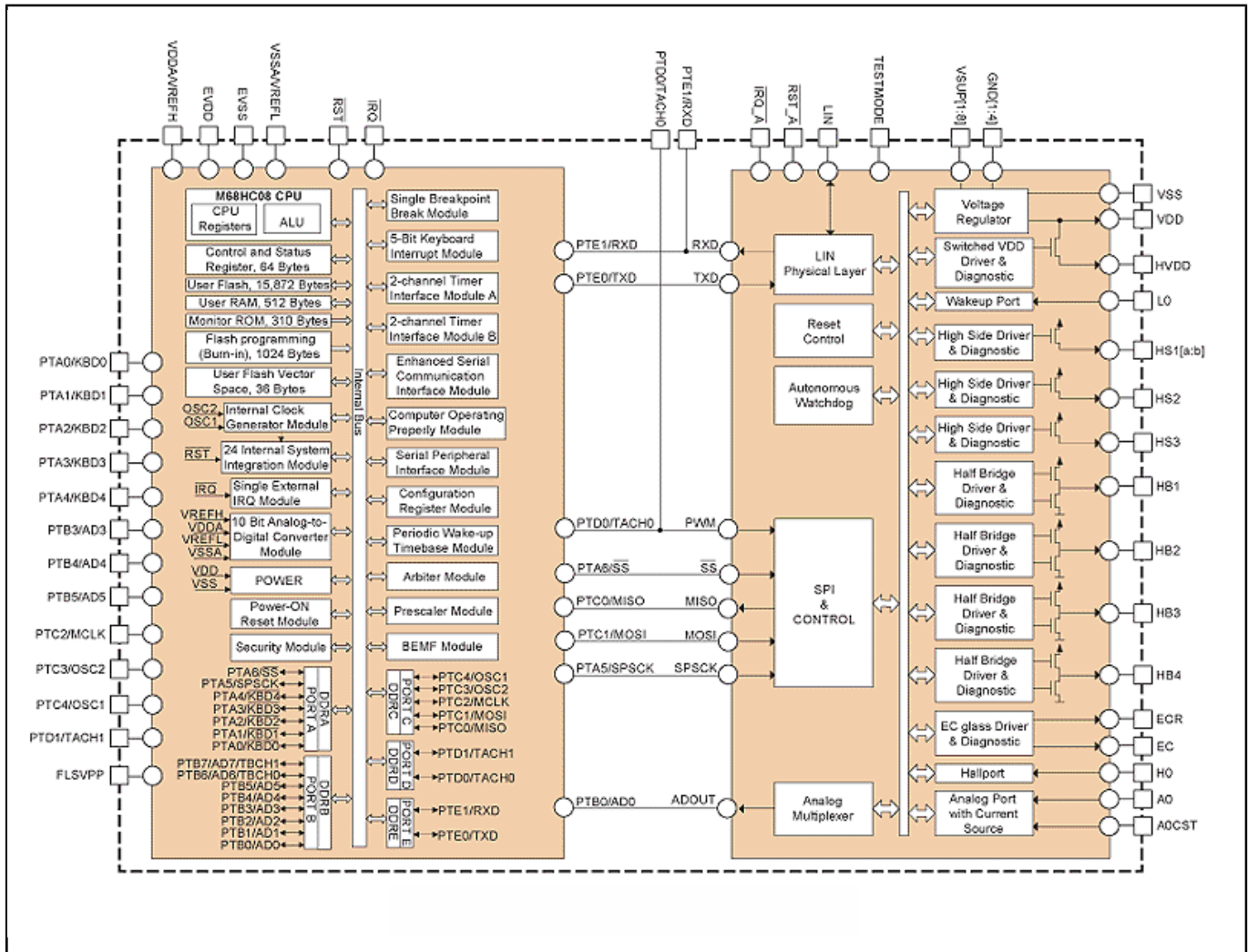
This page contains information on a product that is not recommended for new designs.

Last Updated: Jan 19, 2024

The NXP MM908E622 is an integrated single-package solution that includes a high-performance HC08 MCU with a SMARTMOS® analog control IC.

- The HC08 includes flash memory, timer, enhanced serial communications interface, 10 bit ADC, internal SPI, and internal clock generator module
- The analog control die provides 4 half-bridge and 3 high side outputs with diagnostic functions, an EC glass driver circuit, a Hall effect sensor input, analog inputs, voltage regulator, window watchdog, and LIN physical layer
- The single-package solution provides optimal application performance adjustments and space saving PCB design
- Well-suited for the control of automotive high-end mirrors

# MM908E622 BLOCK DIAGRAM Block Diagram



View additional information for [8-Bit MCU with Vreg, H-B, EC Glass Driver, LIN Phy.](#)

Note: The information on this document is subject to change without notice.

[www.nxp.com](http://www.nxp.com)

NXP and the NXP logo are trademarks of NXP B.V. All other product or service names are the property of their respective owners. The related technology may be protected by any or all of patents, copyrights, designs and trade secrets. All rights reserved. © 2024 NXP B.V.