



Low-Power MPU with dual Ethernet, USB, and audio sub-system

MCF5301x

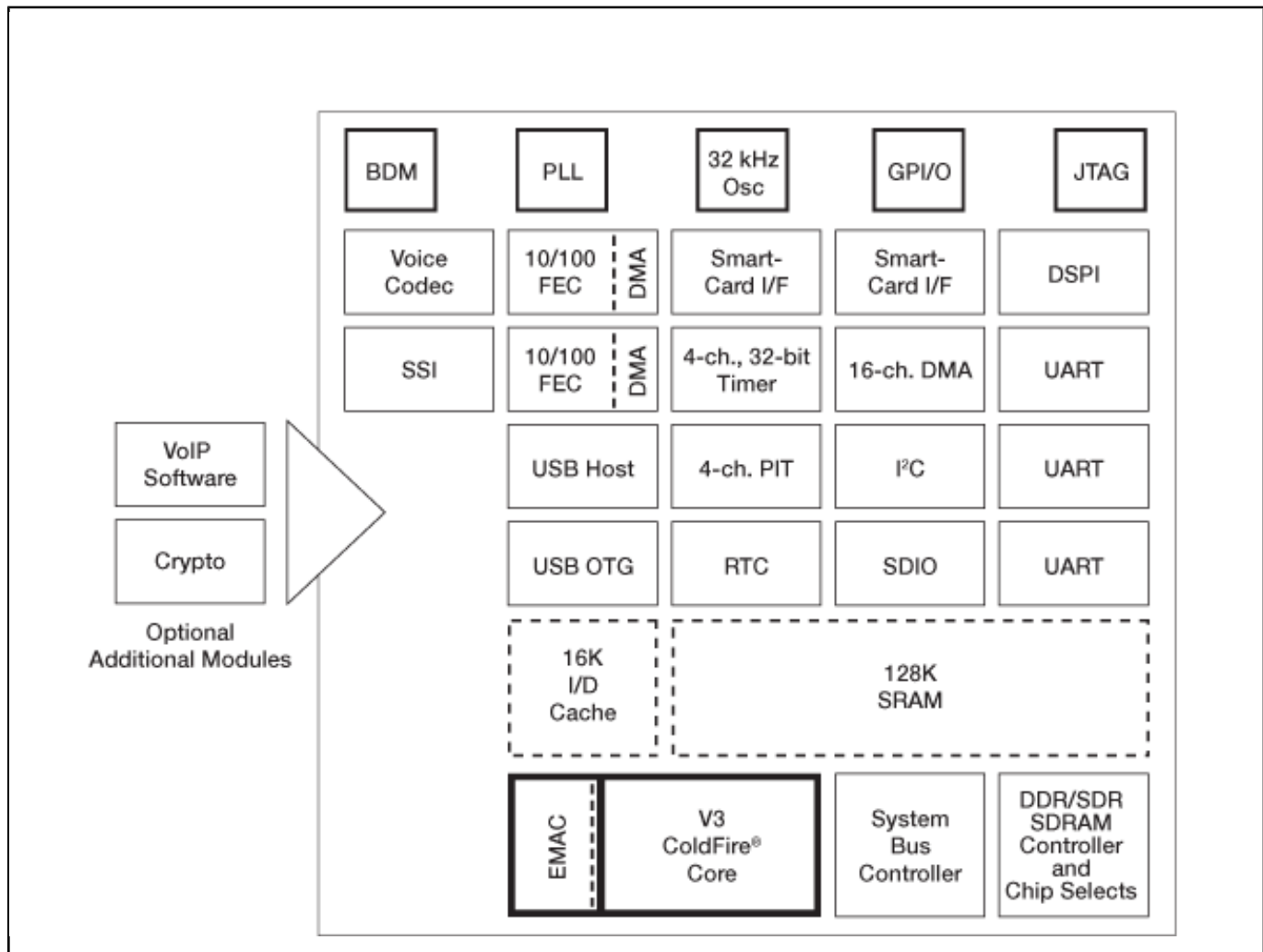
Not Recommended for New Designs

This page contains information on a product that is not recommended for new designs.

Last Updated: Apr 9, 2022

The MCF5301x 32-bit ColdFire® V3 core microprocessor combines low-power, high integration and connectivity peripherals with a voice codec to give designers an ideal solution for industrial control with embedded voice applications.

ColdFire MCF5301X Microprocessor Block Diagram Block Diagram



View additional information for [Low-Power MPU with dual Ethernet, USB, and audio sub-system.](#)

Note: The information on this document is subject to change without notice.

www.nxp.com

NXP and the NXP logo are trademarks of NXP B.V. All other product or service names are the property of their respective owners. The related technology may be protected by any or all of patents, copyrights, designs and trade secrets. All rights reserved. © 2024 NXP B.V.