



Integrated ColdFire® V2 Ethernet Microcontrollers

MCF5223X

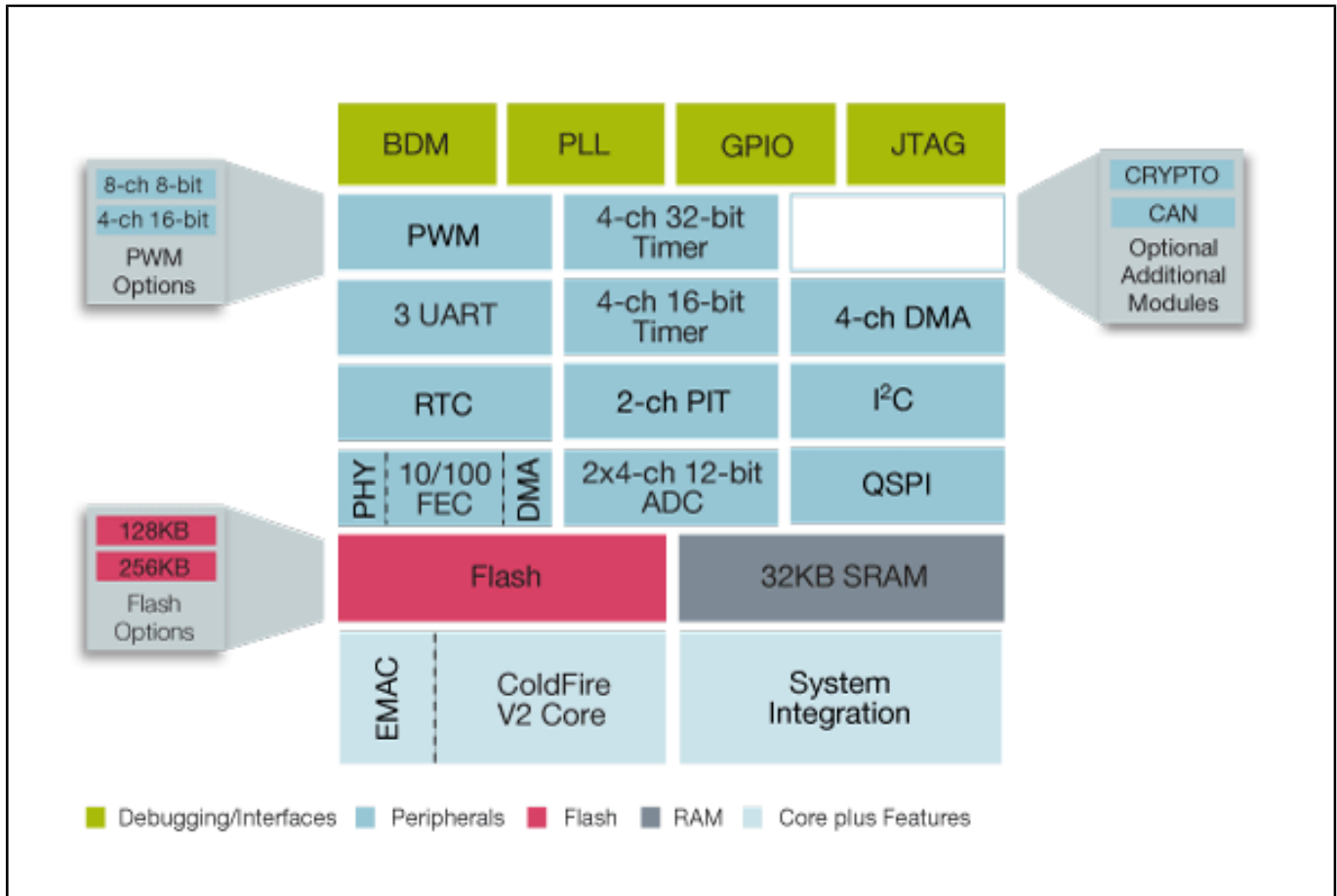
Last Updated: Mar 23, 2023

The MCF5223x family of ColdFire® devices are single-chip solutions that provide 32-bit control with an Ethernet interface. It combines a 10/100 Fast Ethernet controller (FEC) and Ethernet physical layer (EPHY) with the ColdFire V2 core for high performance at a reasonable cost. The MCF5223x embedded controller provides designers with the right set of peripherals and memory size for a compact Ethernet-enabled platform that reduces development time and cost to help products get to market quicker.

The MCF5223x family integrates standard ColdFire peripherals, including three universal asynchronous receiver/transmitters (UARTs) for medium-and long-distance connections, an inter-integrated circuit (I²C) and queued serial peripheral interface (QSPI) for in-system communications to connected peripherals.

All family members are pin-to-pin compatible within the MCF5222x family (in like packages). MCF52231 adds a CAN module, MCF52233 adds 128 KB of flash, MCF52234 adds CAN module and 128 KB of flash and MCF52235 adds a cryptographic acceleration unit, a CAN module and 128 KB of flash to the standard MCF5223x peripheral set.

ColdFire MCF5223X Microcontroller Block Diagram Block Diagram



View additional information for [Integrated ColdFire® V2 Ethernet Microcontrollers](#).

Note: The information on this document is subject to change without notice.

www.nxp.com

NXP and the NXP logo are trademarks of NXP B.V. All other product or service names are the property of their respective owners. The related technology may be protected by any or all of patents, copyrights, designs and trade secrets. All rights reserved. © 2024 NXP B.V.