



36 V Industrial Low RDSON eXtreme Switch

MC36XSD

Archived

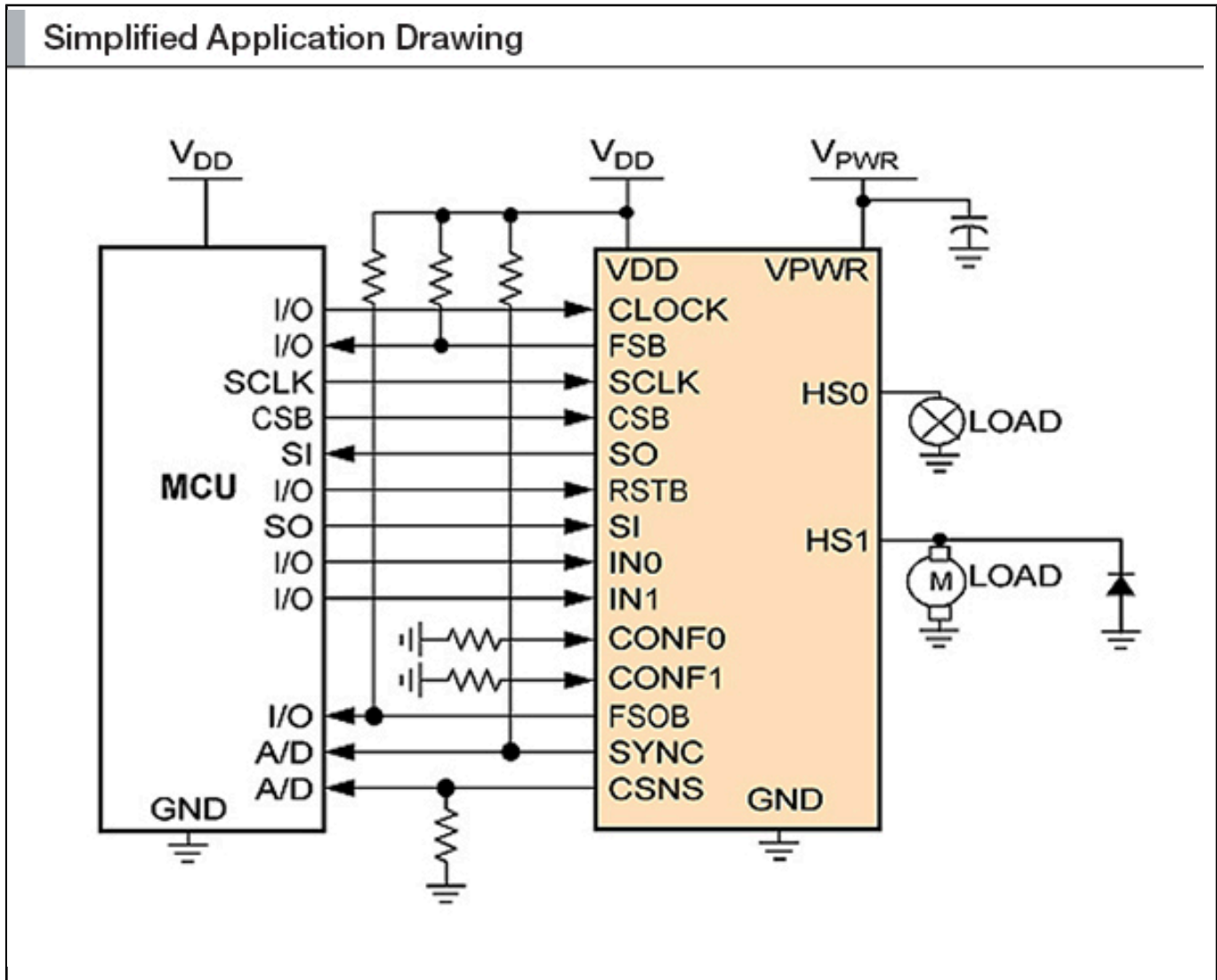
This page contains information on a product that is no longer manufactured (discontinued). Specifications and information herein are available for historical reference only.

Last Updated: Aug 10, 2022

The NXP® 36XSD is part of a family of intelligent, dual high side eXtreme switches for 36 V systems. This family offers devices with current capability from one to 12 A DC that are fully compatible in footprint and software within the PQFN subfamily.

- Each output can be programmed for any kind of loads, including lamps, LEDs, motors or solenoids, which allows you to design a flexible module that can become specific and optimized for a given application through software
- Provides robust design, intelligence and safety needed for industrial applications up to 36 V supply voltage
- With increased integration, the switch drives lightweight, smaller systems and a lower component count
- Easy [Tower® System eXtreme Switch module](#) configuration

Simplified Application Drawing Block Diagram



View additional information for [36 V Industrial Low RDSON eXtreme Switch](#).

Note: The information on this document is subject to change without notice.

www.nxp.com

NXP and the NXP logo are trademarks of NXP B.V. All other product or service names are the property of their respective owners. The related technology may be protected by any or all of patents, copyrights, designs and trade secrets. All rights reserved. © 2024 NXP B.V.