



KEA128 Green Automotive Networking

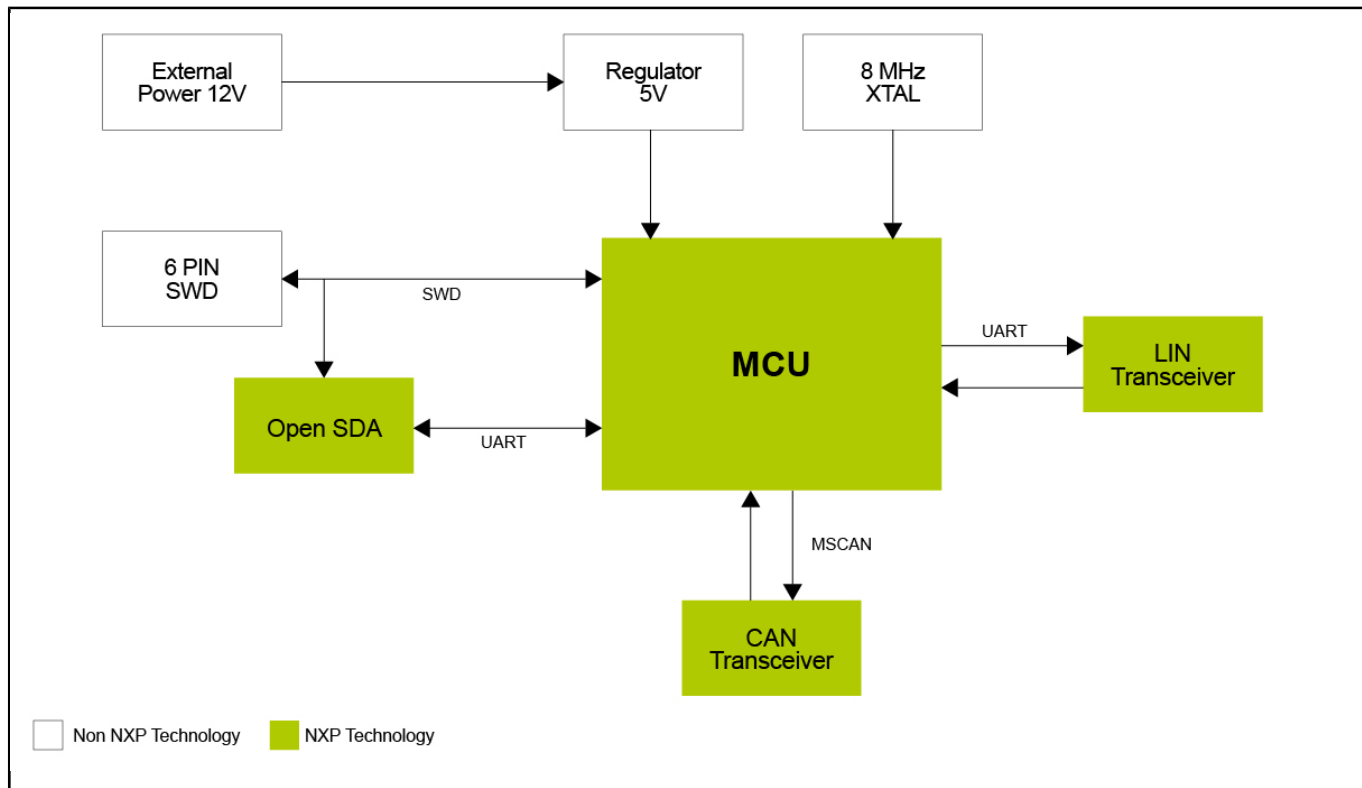
KEA128AUTONETRD

Last Updated: Dec 13, 2023

The KEA128AUTONETRD is a reference design for a central gateway that works as a communications bridge between LIN and CAN.

Based on the 32-bit Arm® Cortex®-M0+ KEA128 automotive-grade MCU, the KEA128AUTONETRD offers efficient and accurate bus processing and energy-saving capabilities.

Green Automotive Networking Block Diagram



View additional information for [KEA128 Green Automotive Networking](#).

Note: The information on this document is subject to change without notice.

www.nxp.com

NXP and the NXP logo are trademarks of NXP B.V. All other product or service names are the property of their respective owners. The related technology may be protected by any or all of patents, copyrights, designs and trade secrets. All rights reserved. © 2024 NXP B.V.