



# ±2g/±4g/±8g, Low g, 14-Bit Digital Accelerometer

## FXLS8471Q

### Not Recommended for New Designs

This page contains information on a product that is not recommended for new designs.

Last Updated: Mar 8, 2024

FXLS8471Q is EOL and not recommended for new designs. NXP recommends that customer consider replacements:

- [FXLS8961AF](#) for automotive applications
- [FXLS8971CF](#) for Industrial/IOT applications

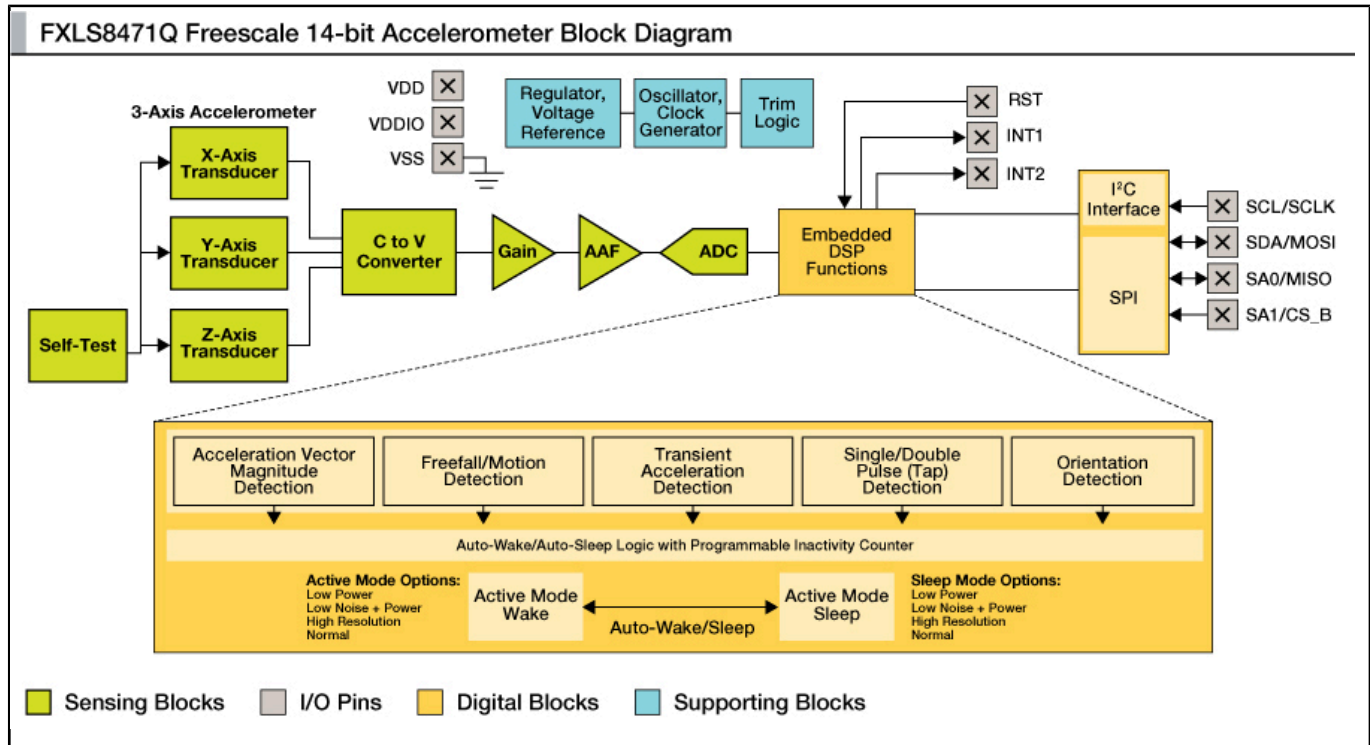
In cases where FXLS8471Q is absolutely required, customers may reach out to Rochester electronics to check available stock.

The FXLS8471Q accelerometer is highly versatile and ideal for industrial, consumer and automotive high-performance, low-g applications that offer noise density, board mount offset, temperature performance, and sensitivity.

Featuring:

- FXLS8471Q is AEC-Q100, Grade 2 qualified and guaranteed to operate over the extended temperature range of  $-40\text{ }^{\circ}\text{C}$  to  $+105\text{ }^{\circ}\text{C}$
- Integrated motion detection including tilt, shake and tap detection with a new vector magnitude output that simplifies implementation and reduces power consumption
- A serial peripheral interface that is pin-compatible with our I2C accelerometer portfolio

# FXLS8471Q Xtrinsic 14-bit Accelerometer Block Diagram Block Diagram



View additional information for [±2g/±4g/±8g, Low g, 14-Bit Digital Accelerometer](#).

Note: The information on this document is subject to change without notice.

[www.nxp.com](http://www.nxp.com)

NXP and the NXP logo are trademarks of NXP B.V. All other product or service names are the property of their respective owners. The related technology may be protected by any or all of patents, copyrights, designs and trade secrets. All rights reserved. © 2024 NXP B.V.