



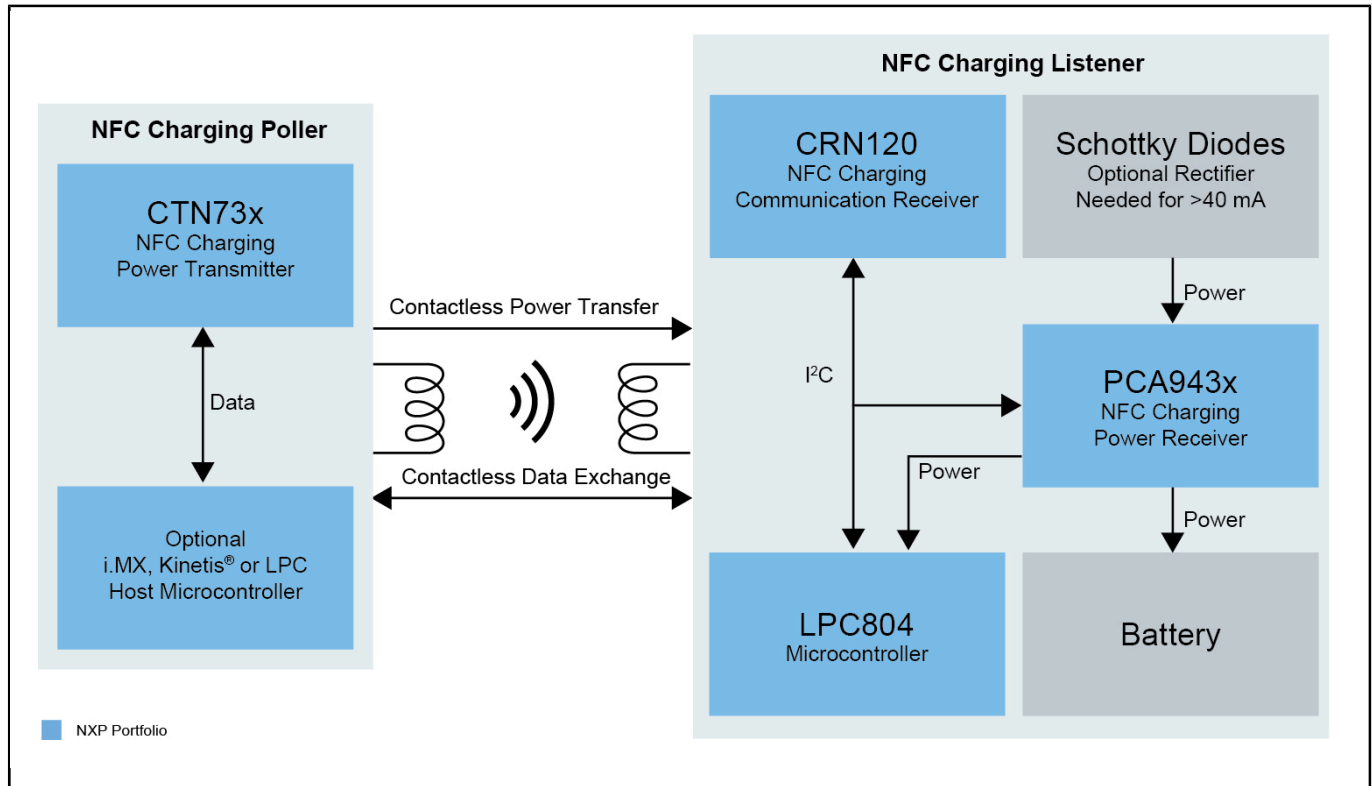
NFC Wireless Charging Communication Receiver Frontend

CRN120

Last Updated: Mar 24, 2023

CRN120 is designed to follow the NFC Forum standard for wireless charging. It is part of a solution offering from NXP for NFC wireless charging. With its T2T memory layout and the I²C target interface a reliable and fast data transfer between WLC Listener and WLC poller is ensured.

NFC-Charging Block Diagram Block Diagram



View additional information for [NFC Wireless Charging Communication Receiver Frontend](#).

Note: The information on this document is subject to change without notice.

www.nxp.com

NXP and the NXP logo are trademarks of NXP B.V. All other product or service names are the property of their respective owners. The related technology may be protected by any or all of patents, copyrights, designs and trade secrets. All rights reserved. © 2024 NXP B.V.