



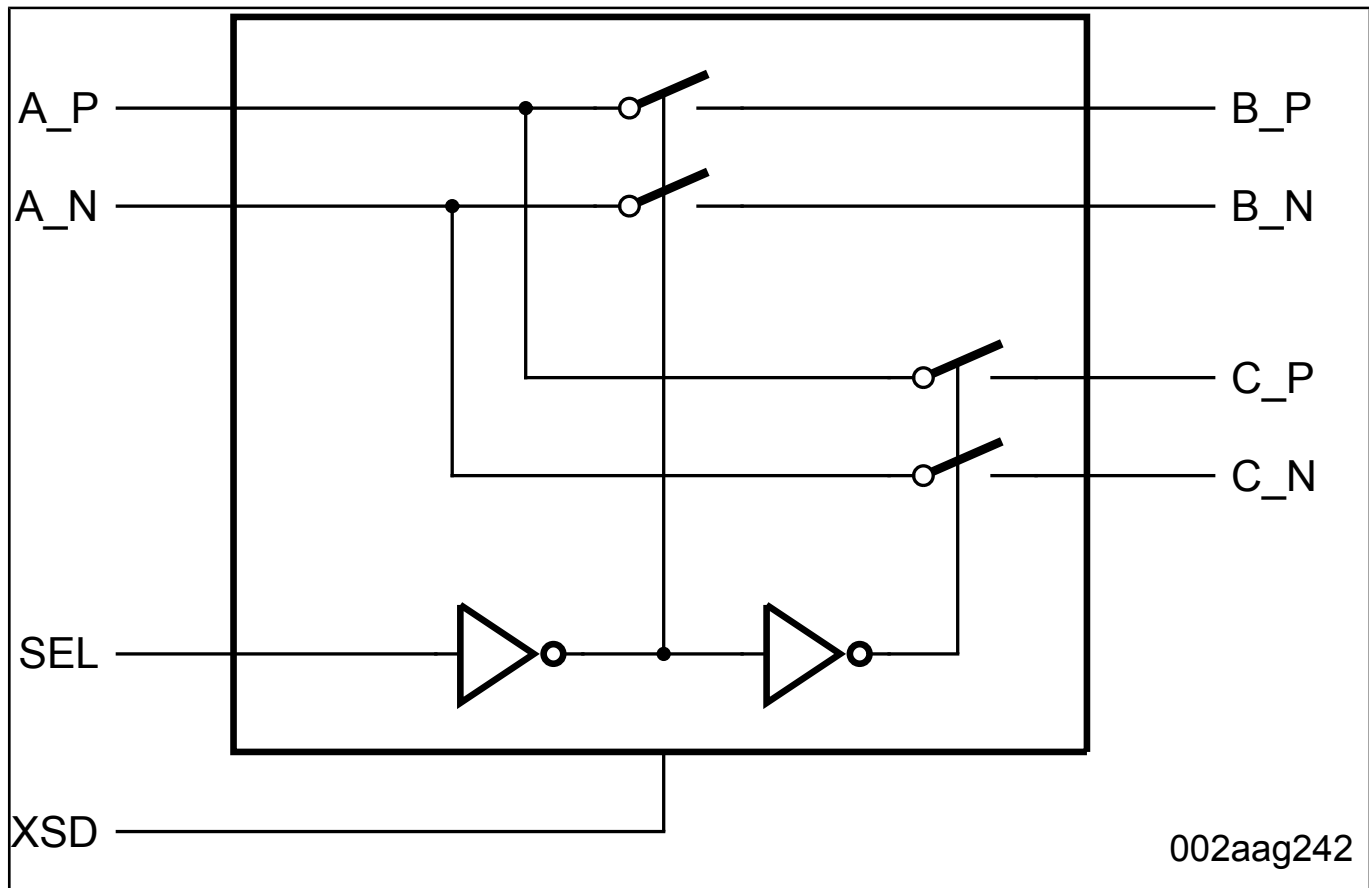
3.3 V, One Differential Channel, 2-1 Multiplexer/Demultiplexer Switch for PCI Express® Gen3

CBTL01023GM

Last Updated: Oct 30, 2023

CBTL01023 is a single differential channel, 2-to-1 multiplexer/demultiplexer switch for PCI Express Generation 3 (Gen3), or other high-speed serial interface applications. The CBTL01023 can switch one differential signal to one of two locations. Using a design technique, NXP has minimized the impedance of the switch such that the attenuation observed through the switch is negligible, and also minimized the channel-to-channel crosstalk, as required by the high-speed serial interface. CBTL01023 allows expansion of existing high speed ports for extremely low power.

CBTL01023 Block Diagram



View additional information for [3.3 V, One Differential Channel, 2-1 Multiplexer/Demultiplexer Switch for PCI Express® Gen3](#).

Note: The information on this document is subject to change without notice.

www.nxp.com

NXP and the NXP logo are trademarks of NXP B.V. All other product or service names are the property of their respective owners. The related technology may be protected by any or all of patents, copyrights, designs and trade secrets. All rights reserved. © 2024 NXP B.V.