



QorIQ® Qonverge Development System

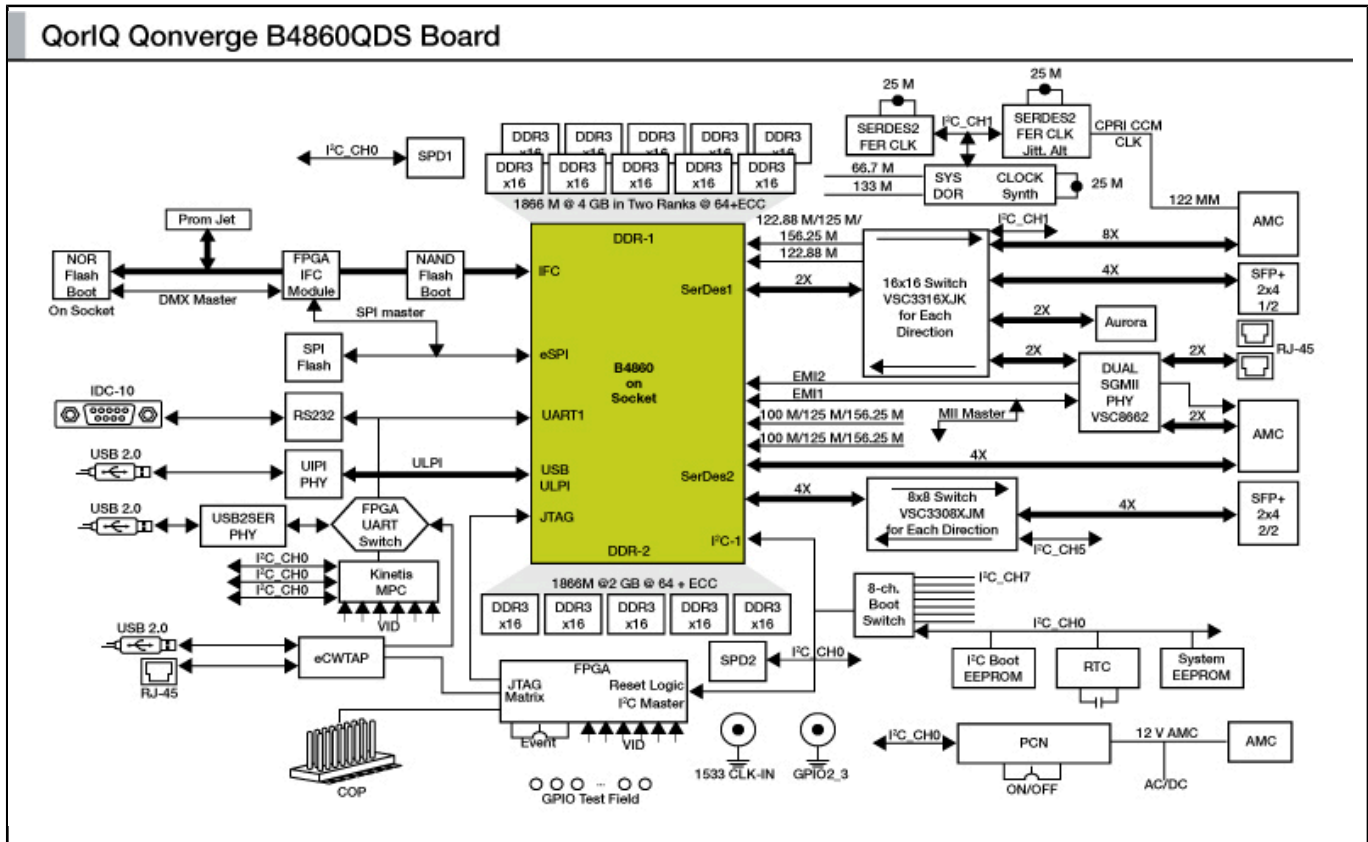
B4860QDS

Last Updated: Nov 29, 2022

The B4860QDS is a flexible development system supporting the NXP® B4860 baseband SoC device, providing a complete application development environment.

The B4860, with its four 1.8 GHz e6500 Power Architecture® cores, six 1.2 GHz SC3900FP DSP cores, high throughput baseband and packet accelerators, and rich input/output (I/O) mix is intended for macrocell base stations in wireless infrastructure as well as aerospace and defense applications.

Qonverge Development System Block Diagram



View additional information for [QorIQ® Qonverge Development System](#).

Note: The information on this document is subject to change without notice.

www.nxp.com

NXP and the NXP logo are trademarks of NXP B.V. All other product or service names are the property of their respective owners. The related technology may be protected by any or all of patents, copyrights, designs and trade secrets. All rights reserved. © 2024 NXP B.V.