



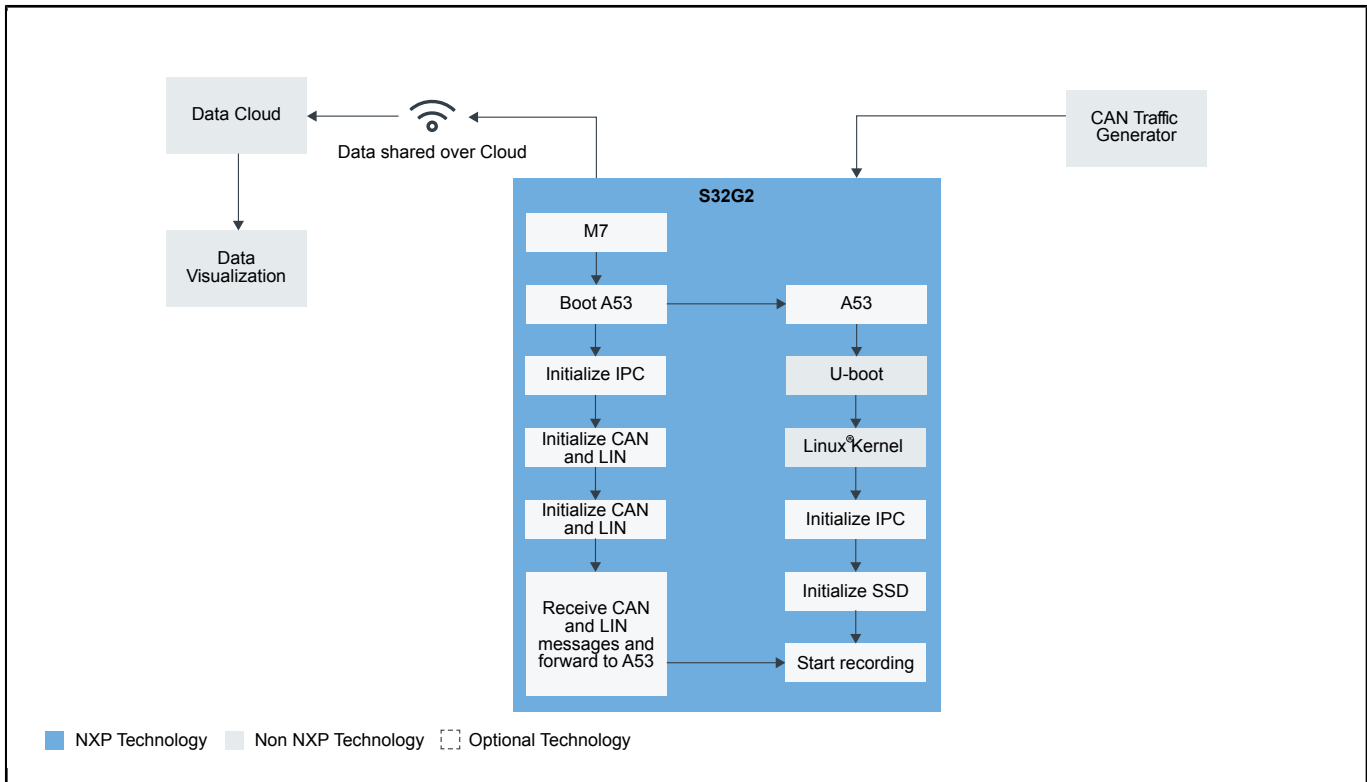
# Automotive Data Logger

Last Updated: Nov 16, 2023

Each vehicle generates a vast amount of information, tapping into which brings value to customers as well as safety opportunities. All this data adds to the new revenue streams and business intelligence and would see conversion into products and services offered at multiple levels with evolution of the automotive ecosystem.

These opportunities bring a high integration of technologies like smart gateways, data processing at edge or cloud, applying big-data analytics, and more.

## Data Logger Workflow Block Diagram

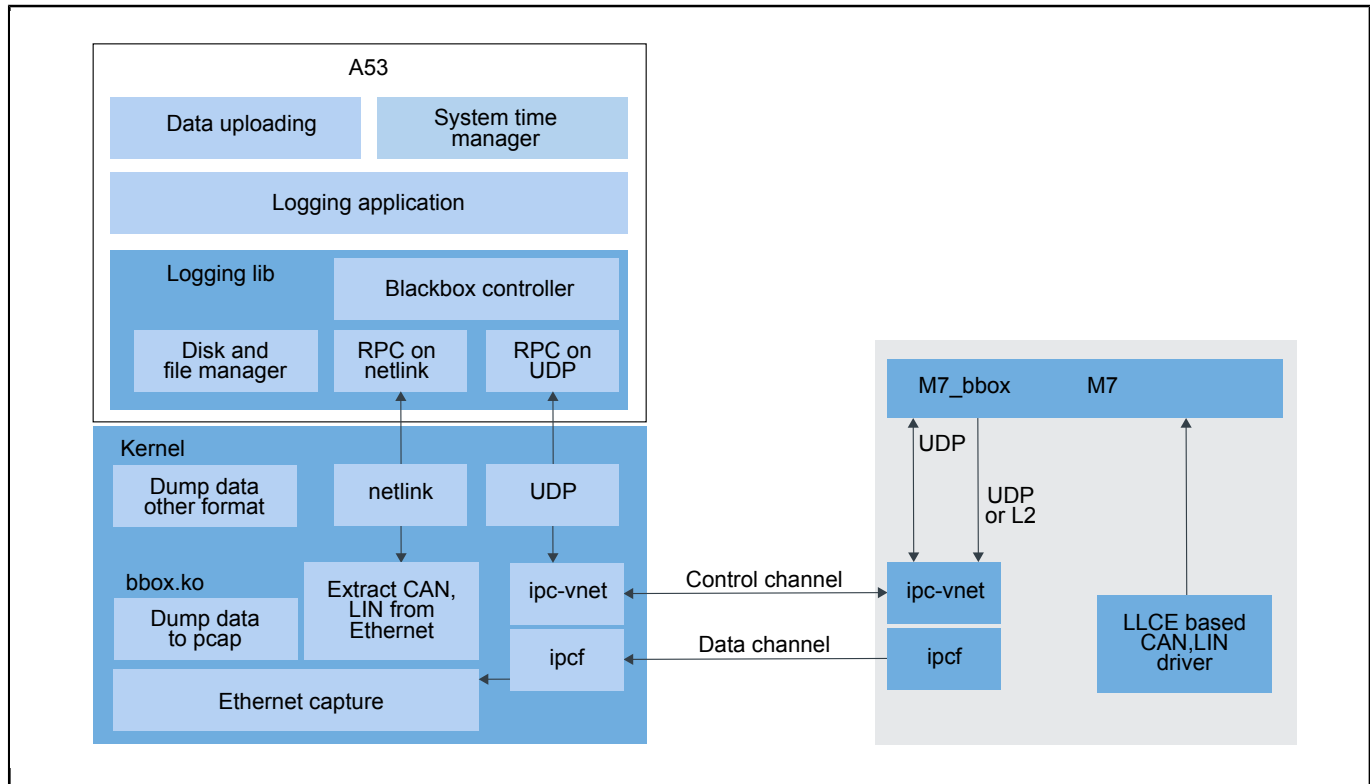


### Recommended Products for Data Logger Workflow

MPU	• S32G3: S32G3 Processors for Vehicle Networking
-----	--

- **S32G2:** S32G2 Processors for Vehicle Networking
- **GOLDVIP:** S32G Vehicle Integration Platform (GoldVIP)

## Data Logger Software Block Diagram



### Recommended Products for Data Logger Software

Arm Cortex-A53 cores

- **S32G3:** S32G3 Processors for Vehicle Networking
- **S32G2:** S32G2 Processors for Vehicle Networking

View our complete solution for [Automotive Data Logger](#).

**Note:** The information on this document is subject to change without notice.

**www.nxp.com**

NXP and the NXP logo are trademarks of NXP B.V. All other product or service names are the property of their respective owners. The related technology may be protected by any or all of patents, copyrights, designs and trade secrets. All rights reserved. © 2024 NXP B.V.